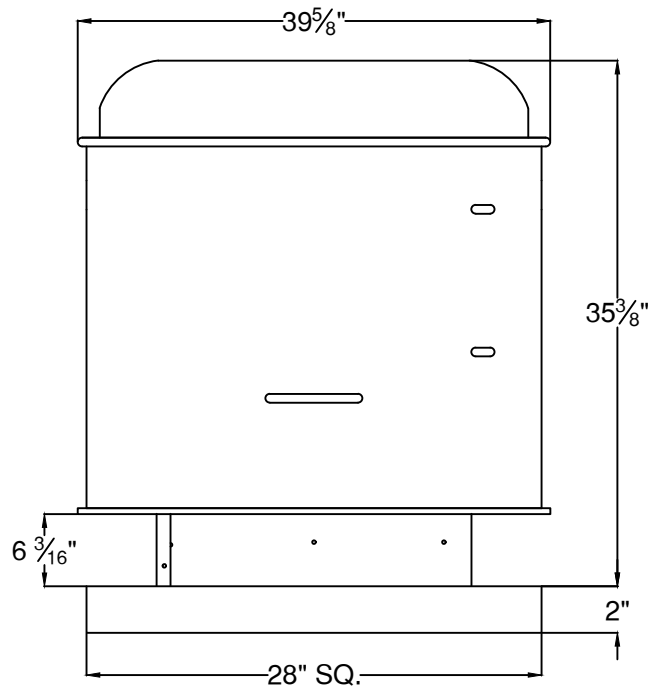
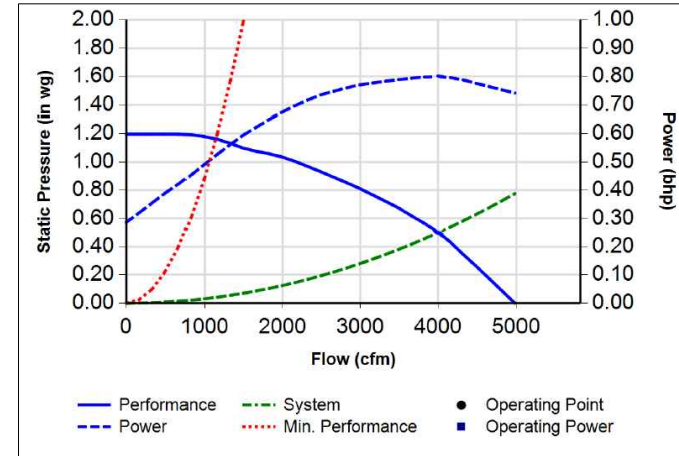


MODEL # 52B-DB

**UL705 DOWNBLAST EXHAUST FAN
BELT DRIVE**



DIMENSIONAL DATA
26 1/2" SQ. CURB



**PERFORMANCE
DATA**

PHASE	1	VOLTS	115
AMPS	6	HP	1

RPM	.000" S.P.		.125" S.P.		.250" S.P.		.375" S.P.		.50" S.P.		.625" S.P.		.750" S.P.		.875" S.P.		1.000" S.P.		1.250" S.P.	
	CFM	Sone	CFM	Sone	CFM	Sone	CFM	Sone	CFM	Sone	CFM	Sone	CFM	Sone	CFM	Sone	CFM	Sone	CFM	Sone
830	4340	12.4	4067	12.6	3891	12.5	3602	12.4	3920	15.7	3541	15.4	3197	14.4	2705	15.0	2143	14.6	2235	16.5

STANDARD FEATURES

- LIFTING POINTS LOCATED ON MOTOR BASE FRAME
- VIBRATION ISOLATION
- ALUMINUM BIRD SCREEN
- CONDUIT POST THROUGH BASE'S CURB CAP
- BACKWARD INCLINED NON-OVERLOADING ALUMINUM WHEEL
- 5 YEAR WARRANTY-MAINTENANCE FREE BEARINGS-PATENTED STEEL
- SHAFT-RATED AT L-50 LIFE OF 200000 HOURS
- VARIABLE PITCH DRIVES DESIGNED FOR 1.5 SERVICE FACTOR
- NEMA 1 DISCONNECTED SWITCH MOUNTED & WIRED
- MOTOR BEARINGS ARE PERMANENTLY LUBRICATED
- 2 YEAR FAN/MOTOR WARRANTY
- AVERAGE UNIT WEIGHT: 193 LBS
- AVERAGE SHIPPING WEIGHT: 219 LBS



LISTED

FANS

UL 705

14038 2/20