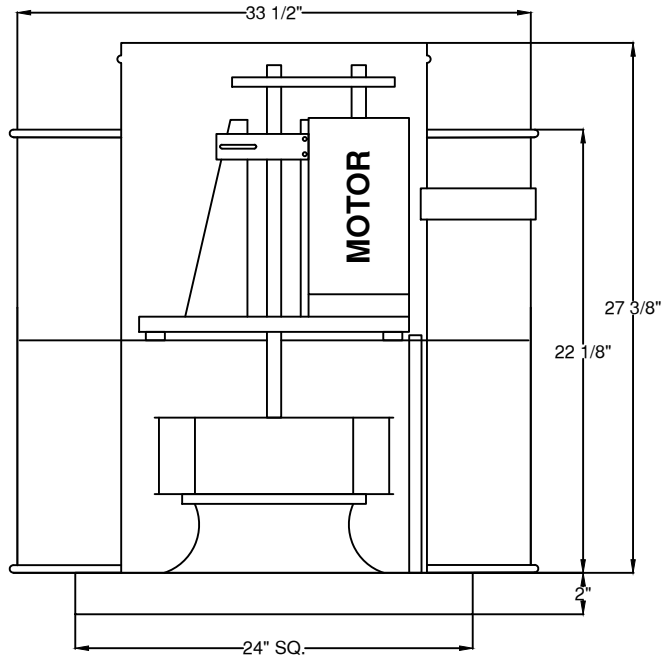
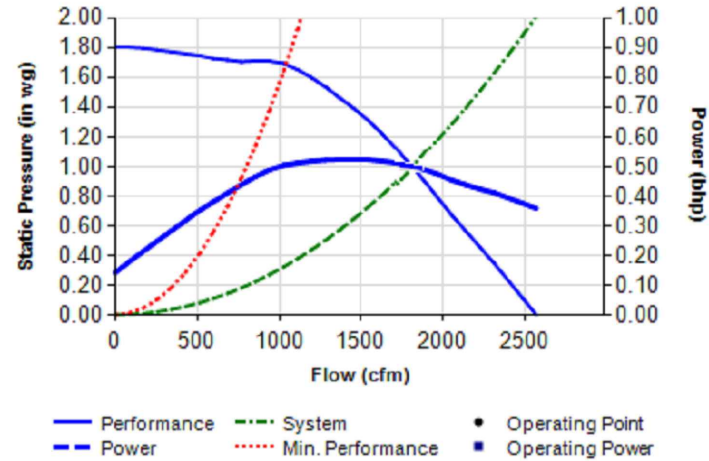


MODEL# **28B3H**

# UL762 UPBLAST EXHAUST FAN BELT DRIVE



**DIMENSIONAL DATA**  
22 1/2" SQ. CURB



## PERFORMANCE DATA

PHASE	3	VOLTS	230/460
AMPS	2.8/1.4	HP	3/4

RPM	.000" S.P.		.250" S.P.		.50" S.P.		.75" S.P.		1.00" S.P.		1.25" S.P.		1.50" S.P.		1.50" S.P.		2.00" S.P.	
	CFM	Sone	CFM	Sone	CFM	Sone	CFM	Sone	CFM	Sone	CFM	Sone	CFM	Sone	CFM	Sone	CFM	Sone
1551	2229	16.3	2016	16.2	1788	15.4	1577	13.7	1333	13.2	-	-	-	-	-	-	-	-
1785	2565	19.6	2381	17.6	2187	18.6	1993	17.6	1810	16.8	1599	16.1	1320	14.7	-	-	-	-
2055	2953	25.0	2793	21.0	2630	23.0	2457	22.0	2291	21.0	2132	19.5	1957	18.9	1772	18.3	1507	18.3

### STANDARD FEATURES

- HEAVY GAUGE ALUMINUM HOUSING
- 1 YEAR LIMITED WARRANTY ON ALL ELECTRIC MOTORS
- FACTORY SET DRIVE
- BELT DRIVEN MOTORS ARE ENCLOSED IN WEATHER-TIGHT COMPARTMENTS
- AVERAGE UNIT WEIGHT: 101 LBS
- AVERAGE SHIPPING WEIGHT: 185 LBS



LISTED

FANS

UL 762

14049 1/20