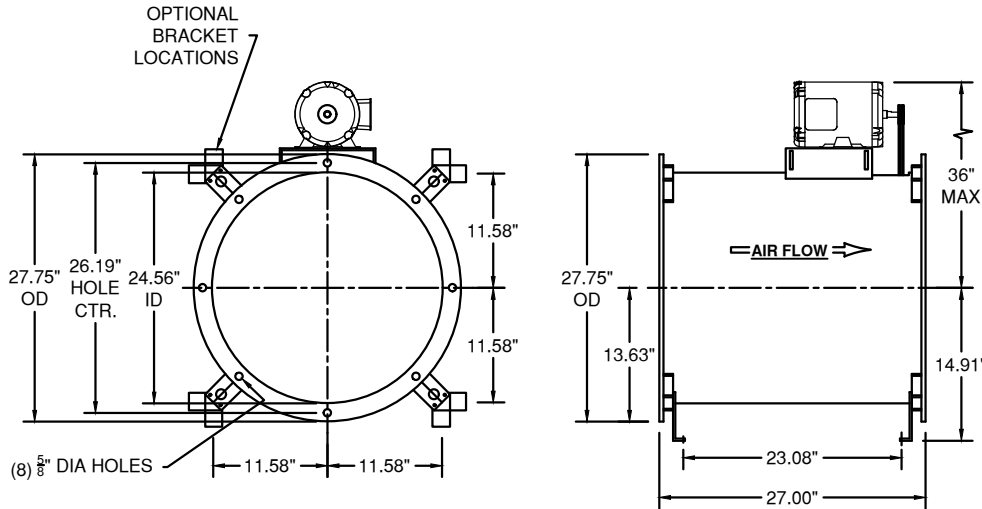


MODEL# TIB 150B 1/3 HP MOTOR SINGLE PHASE

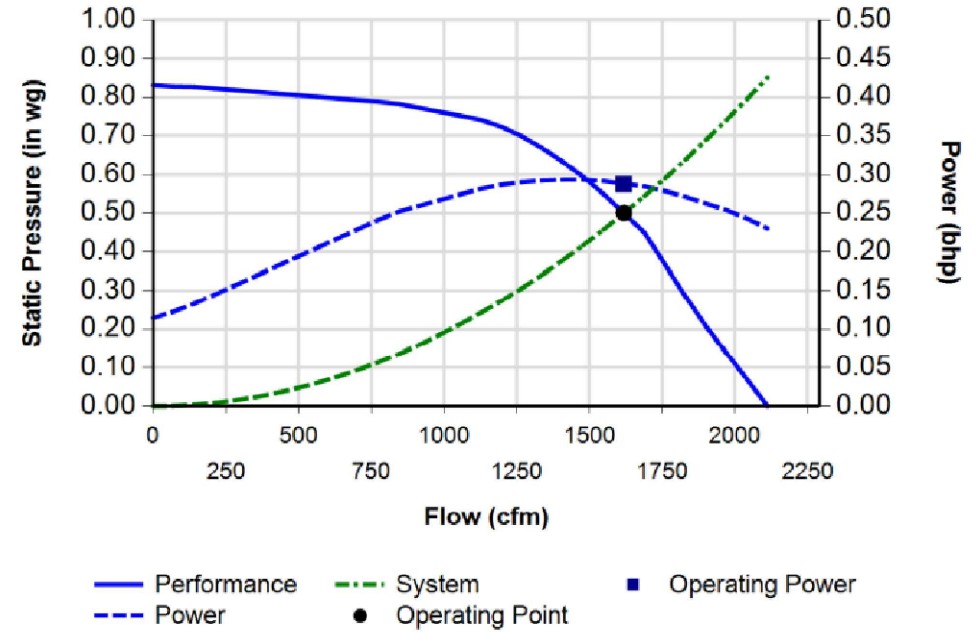
**UL762 IN LINE DUCT FAN
BELT DRIVE**



STANDARD FEATURES

- AMCA DRIVE ARRANGEMENT 9
- HEAVY GAUGE STEEL FRAME/ORIFICE BASE COATED WITH - SEAL POWDER COATING CHARCOAL GREY
- BOLTED, GASKETED, OVERSIZED ACCESS DOOR
- UNIVERSAL MOUNTING FEET
- FAN CAN BE ORIENTED INTO ANY POSITION
- BACKWARD INCLINED NON-OVERLOADING ALUMINUM WHEEL
- 5 YEAR WARRANTY-MAINTENANCE FREE BEARINGS-PATENTED-STEEL SHAFT RATED AT L-50 LIFE OF 200,000 HOURS
- VARIABLE PITCH DRIVES DESIGNED FOR 1.5 SERVICE FACTOR
- MOTOR BEARINGS ARE PERMANENTLY LUBRICATED
- 2 YEAR FAN/MOTOR WARRANTY

PERFORMANCE DATA



PERFORMANCE DATA

PHASE	1	VOLTS	115
AMPS	6.0/3.0	HP	1/3

RPM	.000" S.P.		.25" S.P.		.50" S.P.		.75" S.P.		1.0" S.P.	
	CFM	SONES	CFM	SONES	CFM	SONES	CFM	SONES	CFM	SONES
1113	2095	7.4	1831	9.8	1594	9.1	978	8.6	-	-
1221	2298	8.9	-	-	-	-	-	-	-	-



LISTED

FANS
UL 762
14102 10-20