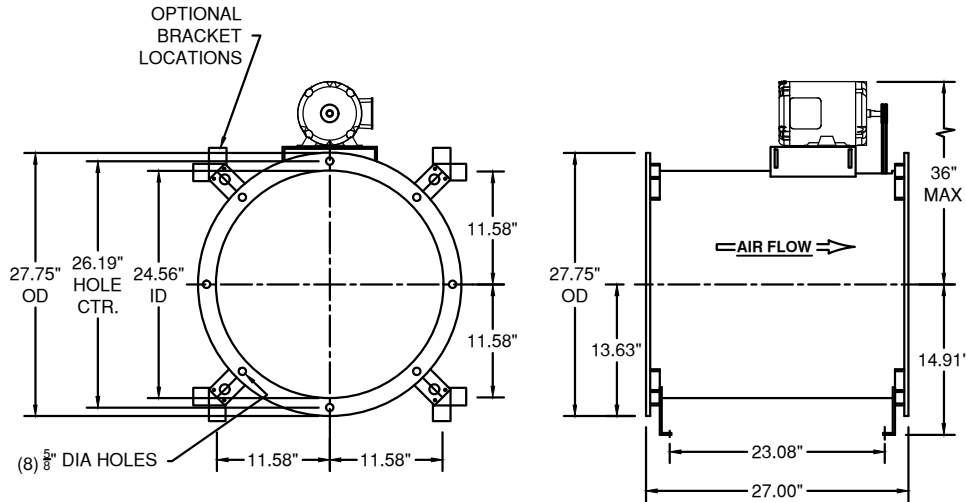
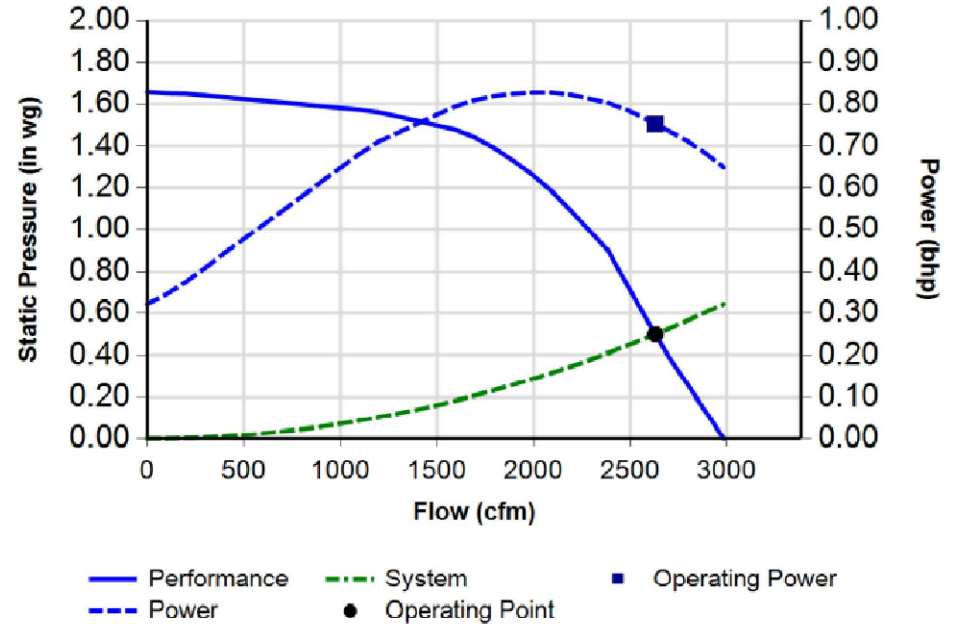


**MODEL# TIB 151B 3/4 HP MOTOR SINGLE PHASE**

**UL762 IN LINE DUCT FAN  
BELT DRIVE**



**PERFORMANCE DATA**



**PERFORMANCE DATA**

<b>PHASE</b>	1	<b>VOLTS</b>	115
<b>AMPS</b>	13.3/6.5	<b>HP</b>	3/4

RPM	.000" S.P.		.25" S.P.		.50" S.P.		.75" S.P.		1.0" S.P.		1.25" S.P.	
	CFM	SONES	CFM	SONES	CFM	SONES	CFM	SONES	CFM	SONES	CFM	SONES
1221	-	-	2064	11.6	1861	11.2	1533	10.3	-	-	-	-
1403	2641	11.3	2438	15.3	2212	14.4	2059	14.0	1746	13.2	741	11.7
1606	3023	14.1	-	-	-	-	-	-	-	-	-	-

**STANDARD FEATURES**

- AMCA DRIVE ARRANGEMENT 9
- HEAVY GAUGE STEEL FRAME/ORIFICE BASE COATED WITH - SEAL POWDER COATING CHARCOAL GREY
- BOLTED, GASKETED, OVERSIZED ACCESS DOOR
- UNIVERSAL MOUNTING FEET
- FAN CAN BE ORIENTED INTO ANY POSITION
- BACKWARD INCLINED NON-OVERLOADING ALUMINUM WHEEL
- 5 YEAR WARRANTY-MAINTENANCE FREE BEARINGS-PATENTED-STEEL
- SHAFT RATED AT L-50 LIFE OF 200,000 HOURS
- VARIABLE PITCH DRIVES DESIGNED FOR 1.5 SERVICE FACTOR
- MOTOR BEARINGS ARE PERMANENTLY LUBRICATED
- 2 YEAR FAN/MOTOR WARRANTY



FANS  
**UL 762**  
14101 10-20