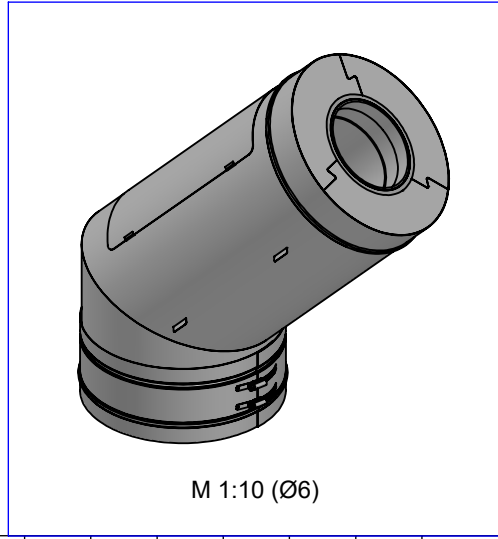
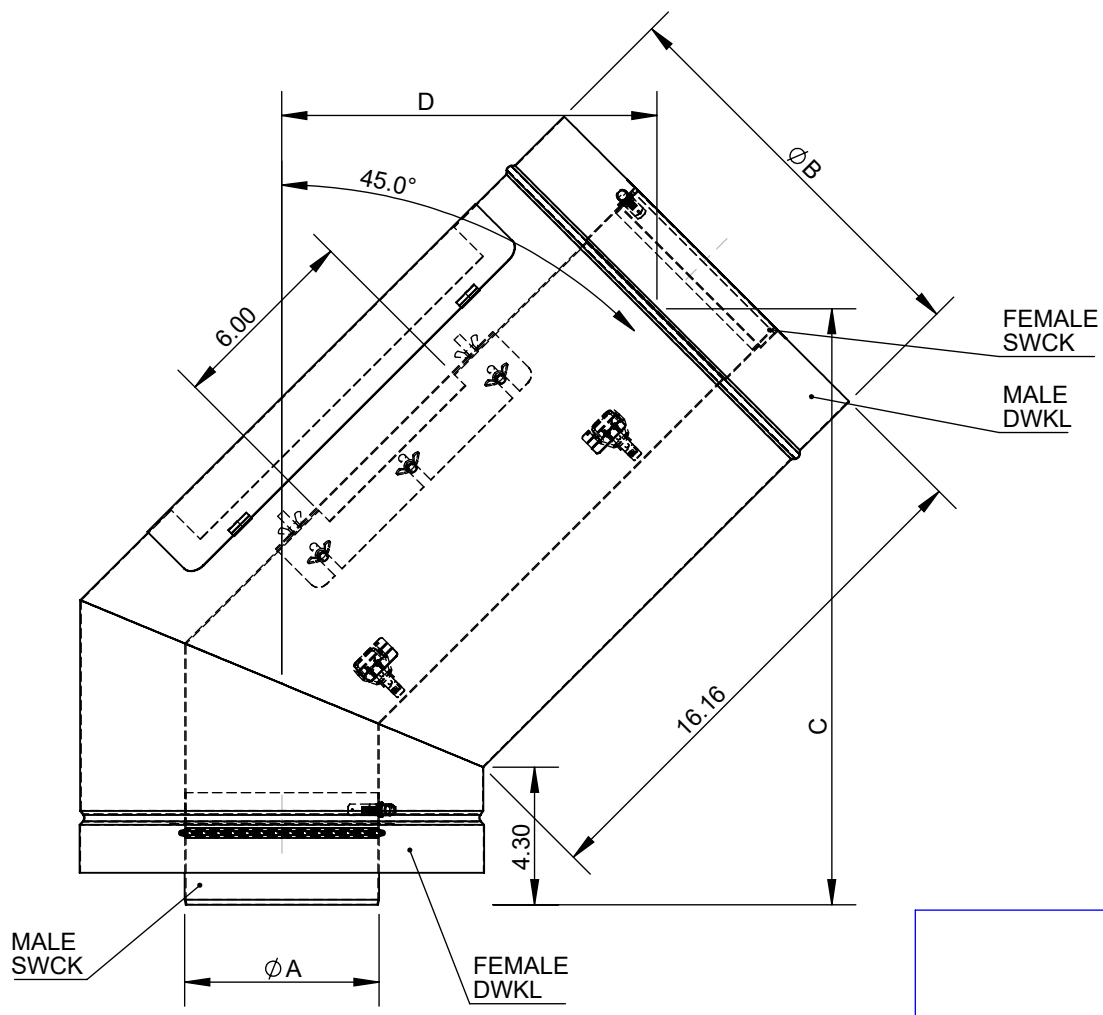



A  
B  
C  
D



|    |       |       |       |       |       |       |       |       |       |       |       |       |       |       |       |       |       |       |       |       |       |        |
|----|-------|-------|-------|-------|-------|-------|-------|-------|-------|-------|-------|-------|-------|-------|-------|-------|-------|-------|-------|-------|-------|--------|
| Ø  | 6     | 7     | 8     | 9     | 10    | 11    | 12    | 13    | 14    | 16    | 18    | 20    | 20    | 22    | 22    | 24    | 26    | 28    | 30    | 32    | 34    | 36     |
| A  | 6     | 7     | 8     | 9     | 10    | 11    | 12    | 13    | 14    | 16    | 18    | 20    | 20    | 22    | 22    | 24    | 26    | 28    | 30    | 32    | 34    | 36     |
| B  | 12.5  | 13.5  | 14.5  | 15.5  | 16.5  | 17.5  | 18.5  | 19.5  | 20.5  | 22.5  | 24.5  | 26.5  | 26.5  | 28.5  | 28.5  | 30.5  | 32.5  | 34.5  | 36.5  | 38.5  | 40.5  | 42.5   |
| C  | 18.63 | 18.98 | 19.34 | 19.69 | 20.05 | 20.4  | 20.75 | 21.11 | 21.46 | 22.17 | 22.87 | 23.58 | 23.58 | 24.29 | 24.29 | 25    | 25.7  | 26.41 | 27.12 | 27.82 | 28.53 | 29.24  |
| D  | 11.72 | 11.87 | 12.01 | 12.16 | 12.31 | 12.45 | 12.6  | 12.74 | 12.89 | 13.18 | 13.48 | 13.77 | 13.77 | 14.06 | 14.06 | 14.36 | 14.65 | 14.94 | 15.23 | 15.53 | 15.82 | 16.11  |
| lb | 17.89 | 19.95 | 22.07 | 24.24 | 26.53 | 28.82 | 31.15 | 33.55 | 35.99 | 41.03 | 46.27 | 51.79 | 51.79 | 53.99 | 53.99 | 63.34 | 69.45 | 75.75 | 82.21 | 88.99 | 95.90 | 103.00 |

|   |               |      |   |  |                             |
|---|---------------|------|---|--|-----------------------------|
| material:<br>inside/outside<br><br>surface:<br>inside/outside<br><br>UL-no. | inch / lb     |      |  <b>NORTH AMERICAN<br/>KITCHEN SOLUTIONS<br/>INCORPORATED</b> | scale<br>1:6                             |                             |
|   | revisions-no. |      |   | format<br>US LETTER                      |                             |
|   | date          | name |   | description<br>45 Degree Elbow w/ Access | sheet<br>1 of 1             |
|   | drawn by      | 2022 |   |  | code<br>DW-NAKS-CKØ-45EA-ZC |
|   | checked by    |      |   |  | drawing no.                 |
| approved by   |               |      |   |  |                             |
| modified by   |               |      |   |  |                             |

