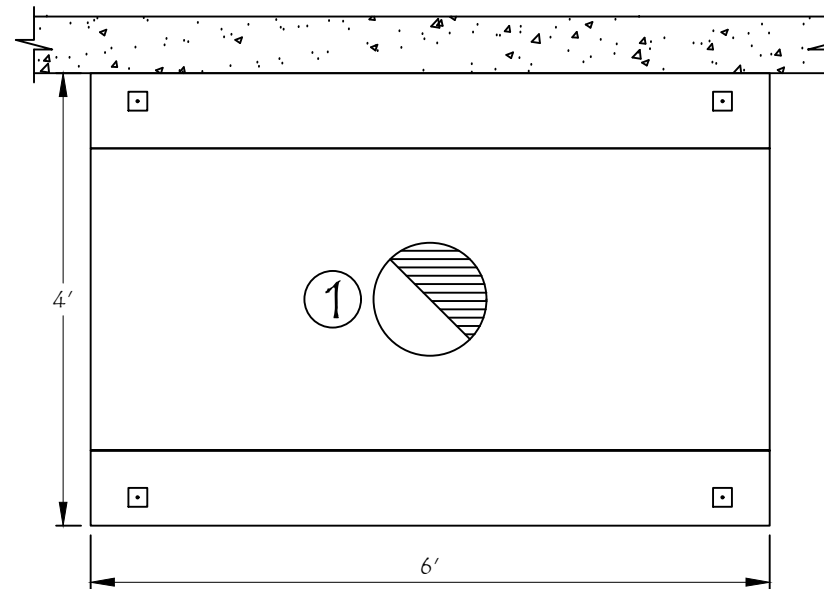




172 REASER COURT PHONE: 440-365-1399 TOLL FREE PH: 800-715-1014 WWW.HOODMART.COM  
 ELYRIA, OHIO 44035 FAX: 440-365-2100 TOLL FREE FAX: 800-716-1214 SALES@HOODMART.COM



PLAN VIEW  
 SCALE: 3/8" = 1' - 0"

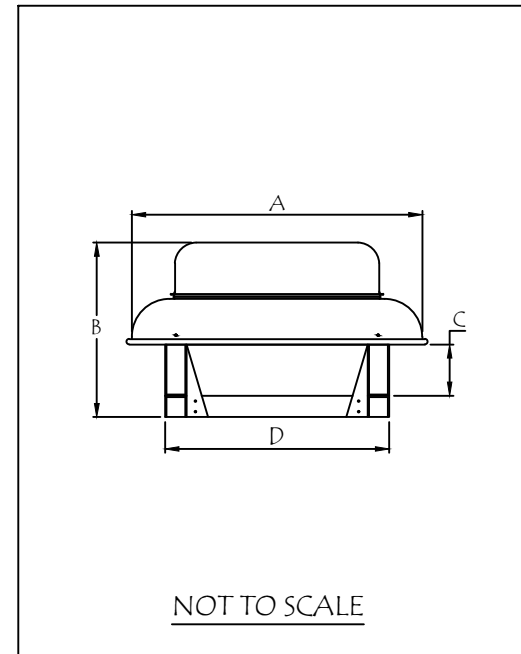
| HOOD NO. | MODEL | LENGTH            | MAX. COOKING TEMP. | ① EXHAUST PLENUM |          |       |       |      | ② SUPPLY PLENUM |          |   |   |   | HOOD CONSTRUCTION |                      |
|----------|-------|-------------------|--------------------|------------------|----------|-------|-------|------|-----------------|----------|---|---|---|-------------------|----------------------|
|          |       |                   |                    | TOTAL EXH. CFM   | RISER(S) |       |       |      | TOTAL SUP. CFM  | RISER(S) |   |   |   |                   |                      |
| DIA.     | QTY.  | CFM               | S.P.               |                  | WIDTH    | LENG. | QTY.. | CFM  |                 | S.P.     |   |   |   |                   |                      |
| 1        | COND. | 72" NOM<br>72" OD | 700 Deg.           | 1200             | 12"      | 1     | 1200  | 0.5" | -               | -        | - | - | - | -                 | STAINLESS/ALUMINIZED |

DUCT OPENING ARE RECOMMENDED SIZES  
 OPENINGS TO BE PUT IN FIELD





172 REASER COURT    PHONE: 440-365-1399    TOLL FREE PH: 800-715-1014    WWW.HOODMART.COM  
 ELYRIA, OHIO 44035    FAX: 440-365-2100    TOLL FREE FAX: 800-716-1214    SALES@HOODMART.COM



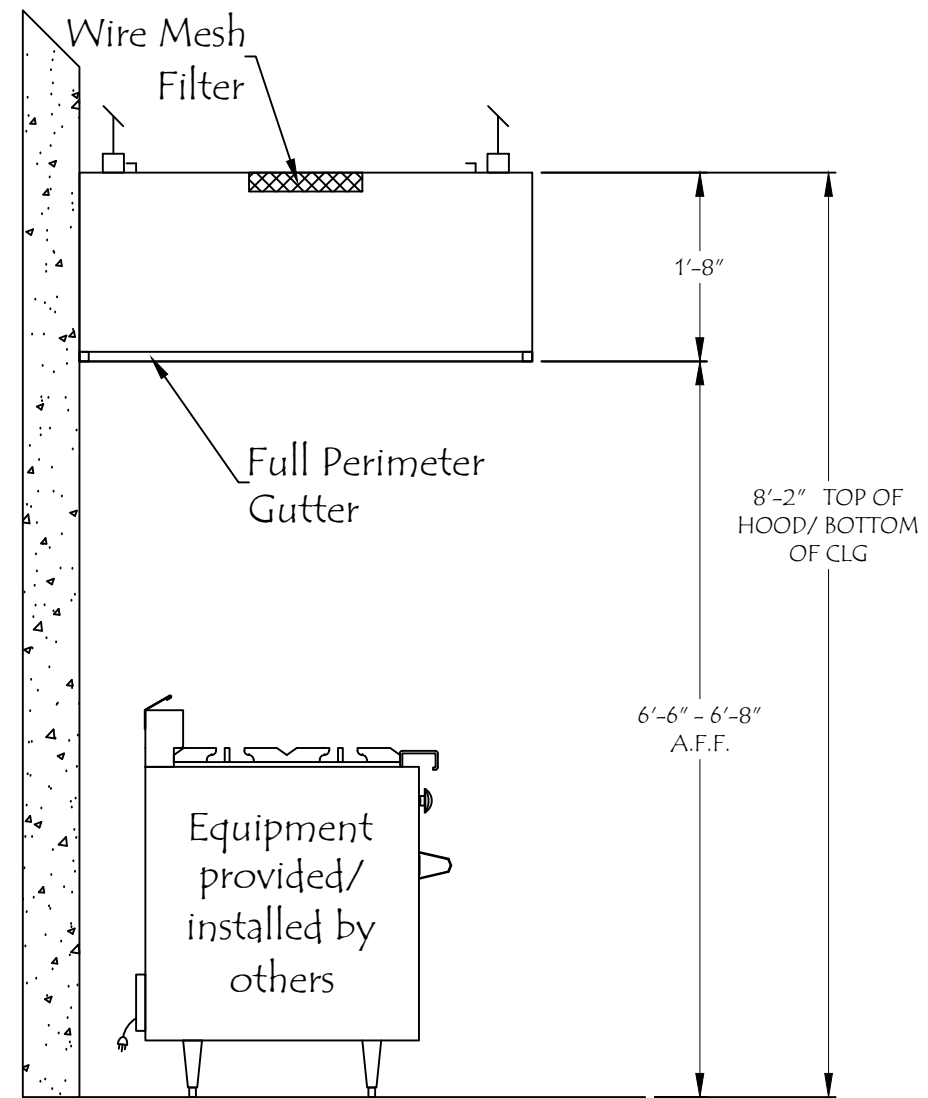
| FAN MODEL | A                                | B                                | C                                 | D       | WT. LBS. |
|-----------|----------------------------------|----------------------------------|-----------------------------------|---------|----------|
| 20D-DB    | 27 <sup>3</sup> / <sub>4</sub> " | 16 <sup>3</sup> / <sub>8</sub> " | 4 <sup>13</sup> / <sub>16</sub> " | 21" SQ. | 49 LBS.  |

| FAN UNIT NO. | FAN UNIT MODEL# | ① EXHAUST FAN |      |      |       |      |      |   |       |     |
|--------------|-----------------|---------------|------|------|-------|------|------|---|-------|-----|
|              |                 | MODEL         | TAG  | CFM  | S.P.  | RPM  | H.P. | Ø | VOLTS | FLA |
| 1            | 20D-DB<br>EF-1  | 20D-DB        | EF-1 | 1200 | 0.25" | 1725 | 1/4  | 1 | 115   | -   |





172 REASER COURT    PHONE: 440-365-1399    TOLL FREE PH: 800-715-1014    WWW.HOODMART.COM  
ELYRIA, OHIO 44035    FAX: 440-365-2100    TOLL FREE FAX: 800-716-1214    SALES@HOODMART.COM



SIDE VIEW - CONDENSATE  
SCALE:  $\frac{3}{8}'' = 1' - 0''$

