



# ADT104AEWMC6K - SUBMITTAL

Project Name:	NAKS - Cooler Evaporators	Project Location:	
Quote ID:		Item #:	5000
Submitted For:	NAKS	Submitted On:	08/12/2019
Submitted By:		Submitted From:	
Identity #:		Tag:	

For Record       For Approval      By: \_\_\_\_\_      Date: \_\_\_\_\_

## General Product Information

Product Family:	ADT	Motor type	EC
Defrost Type:	Air	Number of Fans:	2
Voltage: (Volts/Ph/Hz)	115/1/60	Fan HorsePower	1/15
Refrigerant Type:	R404A	Fins per Inch	6

## Technical Information

### Performance Data

Capacity			Air Flow				Altitude (ft)	AWEF Value
TD (°F)	SST (°F)	Capacity (BTU/H)	CFM	Fan Diameter (ft)	Air Throw (ft)			
				Standard		w/Collar		
10	25.0	10,400	1,400	12			0	N/A

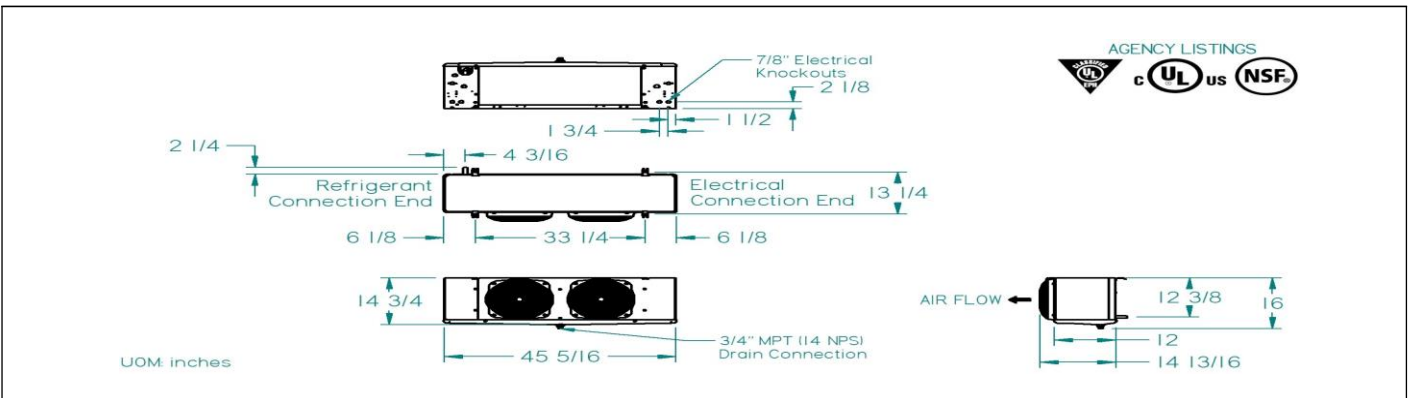
### Electrical Data

Fan Motor(s)		Defrost Heater(s)		Drain Pan Heater(s)	
Watts	Amps	Watts	Amps	Watts	Amps
114	1.8				

### Unit Specifications

Connections (in.)						Approx. Net Weight (lbs)
Coil Inlet	Suction	External Equalizer	Drain	Side Port	Hot Gas Drain Pan	
1/2	7/8	1/4	3/4			49

### Dimensional Drawing(s)





# ADT104AEWMC6K - SUBMITTAL

Project Name:	NAKS - Cooler Evaporators	Project Location:	
Quote ID:		Item #:	5000
Submitted For:	NAKS	Submitted On:	08/12/2019
Submitted By:		Submitted From:	
Identity #:		Tag:	

## Standard Features

### EASE OF INSTALLATION & SERVICE

- ALL ELECTRICAL COMPONENTS FACTORY WIRED TO TERMINAL BOARD AND IDENTIFIED, MAKING IT EASY TO FIELD WIRE THE UNIT
- CABINET DESIGN FEATURES FRONT ACCESS PANELS ON EACH SIDE FOR EASY ACCESS TO ELECTRICAL AND REFRIGERATION COMPONENTS
- LIQUID LINE SOLENOID WIRE HARNESS IS FACTORY-INSTALLED FOR QUICK INSTALLATION
- MOTORS PLUG INTO WIRING HARNESS FOR EASIER SERVICING
- ON 4-6 FAN MODELS, DRAIN PAN HAS A LANYARD FOR EASY AND SAFE ACCESS
- PRE-DRILLED HOLES ON THE BACK OF THE UNIT FOR ROOM THERMOSTAT

### RELIABLE & DURABLE

- HEAVY GAUGE GRAINED ALUMINUM CABINET CLEANS EASILY AND LOOKS ATTRACTIVE
- MOLDED FAN GUARD DESIGN MADE OF STRONG PLASTIC MATERIAL
- SWEAT CONNECTIONS TO REDUCE POTENTIAL FOR LEAKS

### PERFORMANCE

- INTERNAL PANELS ARE ISOLATED FOR QUIET OPERATION
- INTERNALLY ENHANCED TUBING AND FIN DESIGN FOR HIGHER EFFICIENCY

### VERSATILE

- LARGE DIAMETER DRAIN HOLE (3/4" ID) IS LOCATED ON THE BACK OF THE UNIT
- MINIMAL HEIGHT OF THE LOW PROFILE SERIES MAKES IT IDEAL FOR LOW CEILING COOLERS

## Options

### Mounted Options

- Variant condition - null
- COIL COATING - ALUMINUM
- CONTROLS - NONE
- VOLTAGE ASSEMBLY SELECTION - 115V EC
- CARTON OPTIONS - STANDARD CARTON
- NOZZLE SELECTIONS - NOZZLE INSTALLED
- COIL SELECTION - MOUNTED TXV & SOL
- COIL MECHANICAL OPTION - LLSV AND TXV
- NAMEBRAND SELECTION - BOHN
- FAN BLADE SELECTION - STANDARD FAN BLADE
- FAN GUARD SELECTION - BOHN PLASTIC GUARD
- ELECTRICAL OPTIONS - FRNT ACC WTR T'STAT 115V W/MTD

## Minimum Unit Clearances

