



ADT120AEWMC6K - SUBMITTAL

| | | | |
|----------------|---------------------------|-------------------|------------|
| Project Name: | NAKS - Cooler Evaporators | Project Location: | |
| Quote ID: | | Item #: | 6000 |
| Submitted For: | NAKS | Submitted On: | 08/12/2019 |
| Submitted By: | | Submitted From: | |
| Identity #: | | Tag: | |

For Record For Approval By: _____ Date: _____

General Product Information

| | | | |
|------------------------|----------|-----------------|------|
| Product Family: | ADT | Motor type | EC |
| Defrost Type: | Air | Number of Fans: | 2 |
| Voltage: (Volts/Ph/Hz) | 115/1/60 | Fan HorsePower | 1/15 |
| Refrigerant Type: | R404A | Fins per Inch | 6 |

Technical Information

Performance Data

| Capacity | | | Air Flow | | | | Altitude (ft) | AWEF Value |
|----------|----------|------------------|----------|-------------------|----------------|----------|---------------|------------|
| TD (°F) | SST (°F) | Capacity (BTU/H) | CFM | Fan Diameter (ft) | Air Throw (ft) | | | |
| | | | | | Standard | w/Collar | | |
| 10 | 25.0 | 12,000 | 1,300 | 12 | | | 0 | N/A |

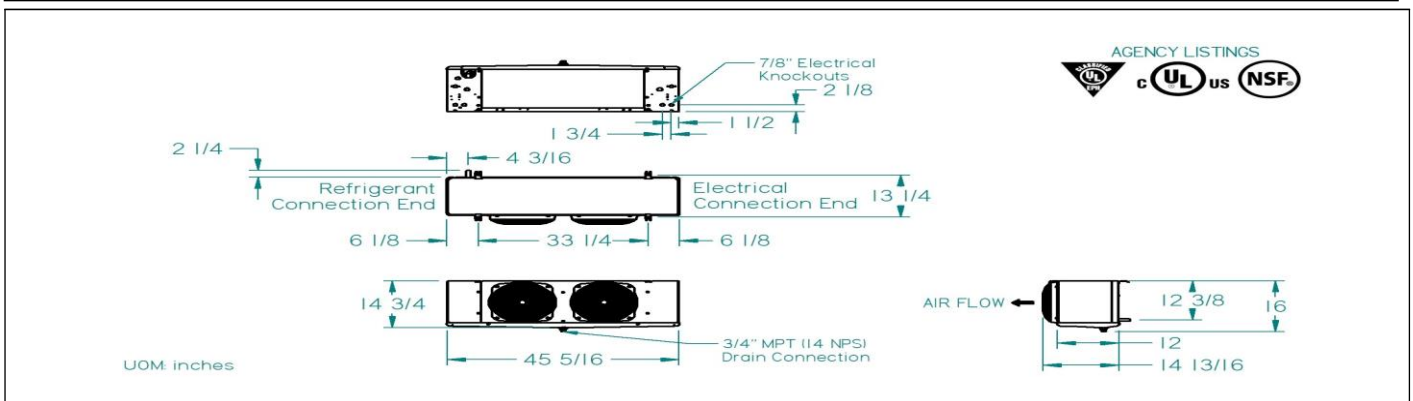
Electrical Data

| Fan Motor(s) | | Defrost Heater(s) | | Drain Pan Heater(s) | |
|--------------|------|-------------------|------|---------------------|------|
| Watts | Amps | Watts | Amps | Watts | Amps |
| 114 | 1.8 | | | | |

Unit Specifications

| Connections (in.) | | | | | | Approx. Net Weight (lbs) |
|-------------------|---------|--------------------|-------|-----------|-------------------|--------------------------|
| Coil Inlet | Suction | External Equalizer | Drain | Side Port | Hot Gas Drain Pan | |
| 1/2 | 7/8 | 1/4 | 3/4 | | | 51 |

Dimensional Drawing(s)





ADT120AEWMC6K - SUBMITTAL

| | | | |
|----------------|---------------------------|-------------------|------------|
| Project Name: | NAKS - Cooler Evaporators | Project Location: | |
| Quote ID: | | Item #: | 6000 |
| Submitted For: | NAKS | Submitted On: | 08/12/2019 |
| Submitted By: | | Submitted From: | |
| Identity #: | | Tag: | |

Standard Features

EASE OF INSTALLATION & SERVICE

- ALL ELECTRICAL COMPONENTS FACTORY WIRED TO TERMINAL BOARD AND IDENTIFIED, MAKING IT EASY TO FIELD WIRE THE UNIT
- CABINET DESIGN FEATURES FRONT ACCESS PANELS ON EACH SIDE FOR EASY ACCESS TO ELECTRICAL AND REFRIGERATION COMPONENTS
- LIQUID LINE SOLENOID WIRE HARNESS IS FACTORY-INSTALLED FOR QUICK INSTALLATION
- MOTORS PLUG INTO WIRING HARNESS FOR EASIER SERVICING
- ON 4-6 FAN MODELS, DRAIN PAN HAS A LANYARD FOR EASY AND SAFE ACCESS
- PRE-DRILLED HOLES ON THE BACK OF THE UNIT FOR ROOM THERMOSTAT

RELIABLE & DURABLE

- HEAVY GAUGE GRAINED ALUMINUM CABINET CLEANS EASILY AND LOOKS ATTRACTIVE
- MOLDED FAN GUARD DESIGN MADE OF STRONG PLASTIC MATERIAL
- SWEAT CONNECTIONS TO REDUCE POTENTIAL FOR LEAKS

PERFORMANCE

- INTERNAL PANELS ARE ISOLATED FOR QUIET OPERATION
- INTERNALLY ENHANCED TUBING AND FIN DESIGN FOR HIGHER EFFICIENCY

VERSATILE

- LARGE DIAMETER DRAIN HOLE (3/4" ID) IS LOCATED ON THE BACK OF THE UNIT
- MINIMAL HEIGHT OF THE LOW PROFILE SERIES MAKES IT IDEAL FOR LOW CEILING COOLERS

Options

Mounted Options

- Variant condition - null
- COIL COATING - ALUMINUM
- CONTROLS - NONE
- VOLTAGE ASSEMBLY SELECTION - 115V EC
- CARTON OPTIONS - STANDARD CARTON
- NOZZLE SELECTIONS - NOZZLE INSTALLED
- COIL SELECTION - MOUNTED TXV & SOL
- COIL MECHANICAL OPTION - LLSV AND TXV
- NAMEBRAND SELECTION - BOHN
- FAN BLADE SELECTION - STANDARD FAN BLADE
- FAN GUARD SELECTION - BOHN PLASTIC GUARD
- ELECTRICAL OPTIONS - FRNT ACC WTR T'STAT 115V W/MTD

Minimum Unit Clearances

