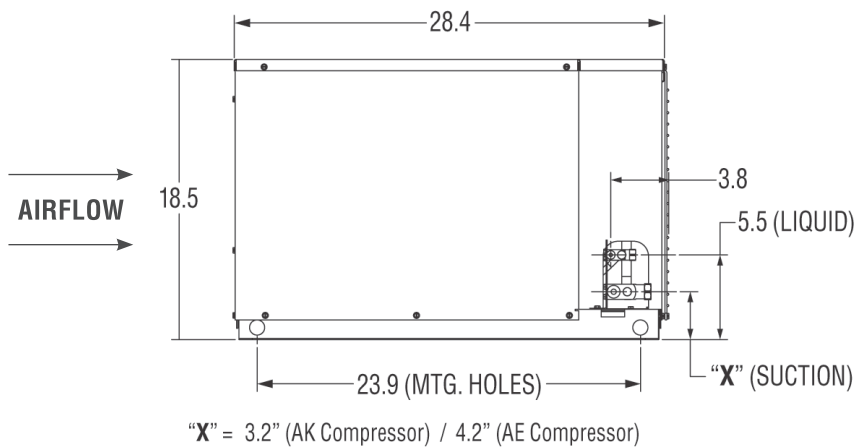
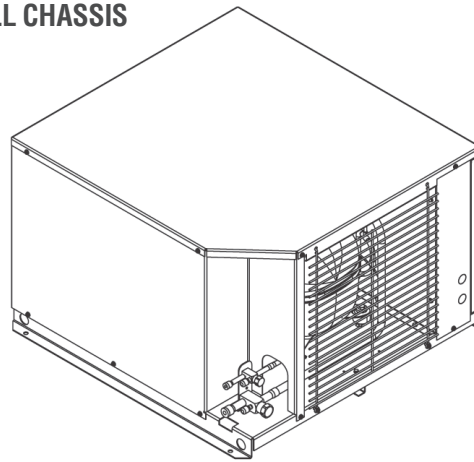


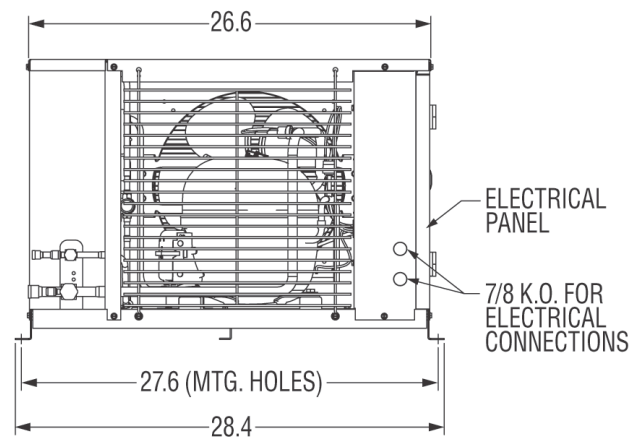
1/2 to 1 HP Medium Temperature Platform (Tube Fin)

Project Name:	
Customer Name:	
Model Number:	
Refrigerant:	
Job Location:	
Date:	
AWEF:	

SMALL CHASSIS



SIDE VIEW



FRONT VIEW

Physical Data

ARGUS Series	Model Number	Compressor		Connections (inch)		Pump Down Capacity* (lbs) 90% @ 90°F Ambient	Net Weight (lbs)
		Model Number	HP	Liquid	Suction		
R-404A	AS*R9440ZAA***	AE4450Z-AA3C	1/2	3/8" S	3/8" S	8.04 (R-404A)	150
R-448A	AS*R9440ZNA***	AE4450Z-XN3C	1/2	3/8" S	3/8" S	8.04 (R-404A)	150
R-449A	AS*R9460ZNA***	AK4510Z-NA3C	3/4	3/8" S	5/8" S	8.04 (R-404A)	159
R-452A	AS*R9480ZNA***	AK4513Z-NA3C	1	3/8" S	5/8" S	8.04 (R-404A)	159

*Receiver + Coil Capacity

Electrical Data

Model Number	Power Supply	Compressor		Condensing Unit		Fan Motor (PSC)			Fan Motor (EC)		
	Volts/Hz/Ph	RLA	LRA	MCA*	MOPD	Qty	HP	FLA	Qty	HP	FLA
AS*R9440ZAA***	115/60/1	6.2	34.5	8.8	15	1	1/20	0.85	1	1/20	0.9
AS*R9440ZNA***	208-230/60/1	2.98	22	4.4	15	1	1/20	0.45	1	1/20	0.5
AS*R9460ZNA***	208-230/60/1	5.8	29.9	7.9	15	1	1/20	0.45	1	1/20	0.5
AS*R9480ZNA***	208-230/60/1	7.1	31.3	9.6	15	1	1/20	0.45	1	1/20	0.5

*Add .21 Amps for Heated Receiver

DOE AWEF (AHRI 1250)

AWEF Table	Model Number	Indoor	Outdoor
R-404A	AS*R9440Z*****	5.61	7.60
	AS*R9460Z*****	5.61	7.60
	AS*R9480Z*****	5.61	7.60
R-449A / R-448A	AS*R9440Z*****	5.61	7.60
	AS*R9460Z*****	5.61	7.60
	AS*R9480Z*****	5.61	7.60
R-452A	AS*R9440Z*****	5.61	7.60
	AS*R9460Z*****	5.61	7.60
	AS*R9480Z*****	5.61	7.60

1/2 to 1 HP Medium Temperature Platform (Tube Fin)

Performance Tables (R-404A)

80°F AMBIENT						
Model Number	Suction Temperature (SST)					
	30°F	25°F	20°F	10°F	0°F	-10°F
AS*R9440Z*****	4,997	4,482	4,227	3,340	2,631	2,096
AS*R9460Z*****	8,664	7,861	7,485	5,968	4,626	3,451
AS*R9480Z*****	10,744	9,835	9,449	7,664	6,026	4,528

90°F AMBIENT						
Model Number	Suction Temperature (SST)					
	30°F	25°F	20°F	10°F	0°F	-10°F
AS*R9440Z*****	4,497	4,018	3,776	2,965	2,332	1,873
AS*R9460Z*****	7,813	7,074	6,723	5,345	4,138	3,100
AS*R9480Z*****	9,768	8,930	8,568	6,934	5,446	4,097

95°F AMBIENT						
Model Number	Suction Temperature (SST)					
	30°F	25°F	20°F	10°F	0°F	-10°F
AS*R9440Z*****	4,247	3,786	3,550	2,778	2,183	1,761
AS*R9460Z*****	7,388	6,681	6,343	5,033	3,895	2,925
AS*R9480Z*****	9,280	8,477	8,127	6,570	5,156	3,881

100°F AMBIENT						
Model Number	Suction Temperature (SST)					
	30°F	25°F	20°F	10°F	0°F	-10°F
AS*R9440Z*****	3,998	3,554	3,323	2,590	2,033	1,648
AS*R9460Z*****	6,962	6,288	5,962	4,722	3,652	2,749
AS*R9480Z*****	8,792	8,024	7,687	6,205	4,867	3,666

110°F AMBIENT						
Model Number	Suction Temperature (SST)					
	30°F	25°F	20°F	10°F	0°F	-10°F
AS*R9440Z*****	3,498	3,090	2,872	2,214	1,733	1,424
AS*R9460Z*****	6,112	5,502	5,201	4,099	3,166	2,399
AS*R9480Z*****	7,816	7,119	6,806	5,476	4,287	3,235

*All capacity data is at dew point conditions

*Return gas 40°F below 20°F Evaporator and 65°F above 20°F evaporator, Sub Cooling 5°F

*Medium temperature evaporating temperature range is from -10°F to +45°F

Performance Tables (R-448A / R-449A)

80°F AMBIENT						
Model Number	Suction Temperature (SST)					
	30°F	25°F	20°F	10°F	0°F	-10°F
AS*R9440Z*****	4,398	3,950	3,706	2,877	2,153	1,530
AS*R9460Z*****	7,542	6,734	6,279	4,811	3,552	2,495
AS*R9480Z*****	9,068	8,190	7,739	6,131	4,741	3,563

90°F AMBIENT						
Model Number	Suction Temperature (SST)					
	30°F	25°F	20°F	10°F	0°F	-10°F
AS*R9440Z*****	4,018	3,591	3,352	2,569	1,891	1,312
AS*R9460Z*****	6,774	6,023	5,593	4,248	3,111	2,175
AS*R9480Z*****	8,329	7,497	7,059	5,551	4,260	3,179

95°F AMBIENT						
Model Number	Suction Temperature (SST)					
	30°F	25°F	20°F	10°F	0°F	-10°F
AS*R9440Z*****	3,828	3,412	3,174	2,415	1,759	1,204
AS*R9460Z*****	6,390	5,668	5,249	3,967	2,891	2,016
AS*R9480Z*****	7,959	7,151	6,719	5,261	4,018	2,987

100°F AMBIENT						
Model Number	Suction Temperature (SST)					
	30°F	25°F	20°F	10°F	0°F	-10°F
AS*R9440Z*****	3,638	3,233	2,997	2,261	1,627	1,095
AS*R9460Z*****	6,005	5,313	4,907	3,685	2,671	1,857
AS*R9480Z*****	7,590	6,805	6,380	4,971	3,777	2,796

110°F AMBIENT						
Model Number	Suction Temperature (SST)					
	30°F	25°F	20°F	10°F	0°F	-10°F
AS*R9440Z*****	3,258	2,875	2,643	1,953	1,365	877
AS*R9460Z*****	5,237	4,602	4,220	3,123	2,230	1,538
AS*R9480Z*****	6,851	6,112	5,701	4,391	3,296	2,411

Performance Tables (R-452A)

80°F AMBIENT						
Model Number	Suction Temperature (SST)					
	30°F	25°F	20°F	10°F	0°F	-10°F
AS*R9440Z*****	4,467	4,066	3,879	3,119	2,443	1,847
AS*R9460Z*****	7,900	7,108	6,700	5,246	3,992	2,930
AS*R9480Z*****	9,794	8,991	8,639	6,998	5,433	3,936

90°F AMBIENT						
Model Number	Suction Temperature (SST)					
	30°F	25°F	20°F	10°F	0°F	-10°F
AS*R9440Z*****	4,210	3,826	3,645	2,922	2,283	1,725
AS*R9460Z*****	7,128	6,388	5,996	4,656	3,514	2,562
AS*R9480Z*****	8,910	8,169	7,839	6,331	4,897	3,531

95°F AMBIENT						
Model Number	Suction Temperature (SST)					
	30°F	25°F	20°F	10°F	0°F	-10°F
AS*R9440Z*****	4,082	3,706	3,528	2,824	2,203	1,663
AS*R9460Z*****	6,741	6,028	5,646	4,361	3,274	2,378
AS*R9480Z*****	8,468	7,758	7,438	5,997	4,629	3,328

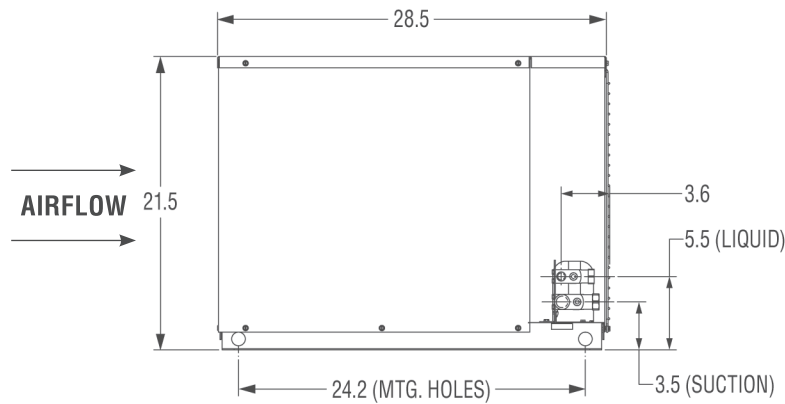
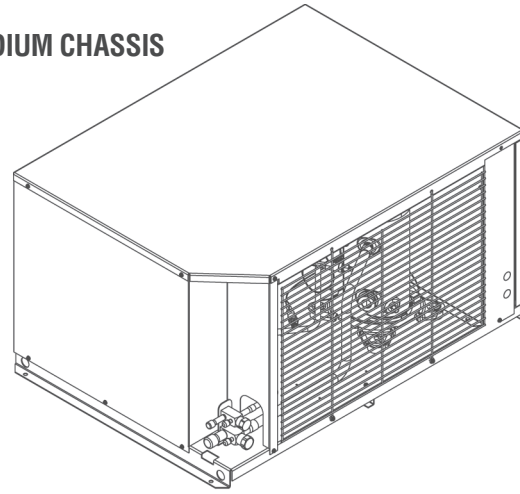
100°F AMBIENT						
Model Number	Suction Temperature (SST)					
	30°F	25°F	20°F	10°F	0°F	-10°F
AS*R9440Z*****	3,953	3,587	3,411	2,726	2,123	1,602
AS*R9460Z*****	6,355	5,668	5,294	4,067	3,034	2,194
AS*R9480Z*****	8,026	7,347	7,038	5,663	4,361	3,126

110°F AMBIENT						
Model Number	Suction Temperature (SST)					
	30°F	25°F	20°F	10°F	0°F	-10°F
AS*R9440Z*****	3,696	3,347	3,177	2,529	1,964	1,478
AS*R9460Z*****	5,582	4,948	4,591	3,476	2,556	1,826
AS*R9480Z*****	7,142	6,525	6,238	4,997	3,825	2,721

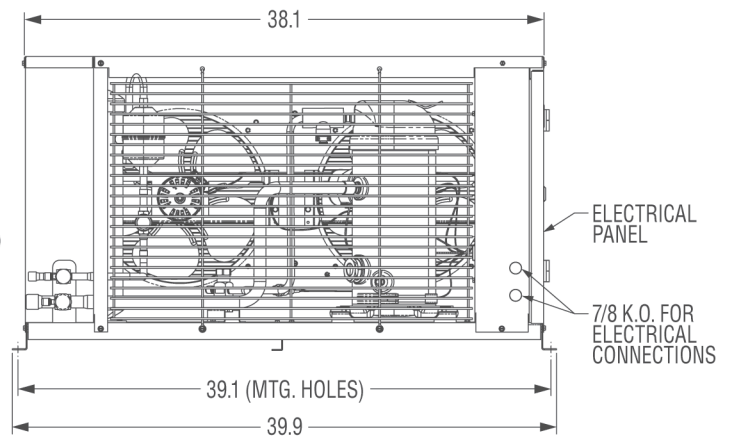
1-1/4 to 2-4/5 HP Medium Temperature Platform (Tube Fin)

Project Name:	
Customer Name:	
Model Number:	
Refrigerant:	
Job Location:	
Date:	
AWEF:	

MEDIUM CHASSIS



SIDE VIEW



FRONT VIEW

Physical Data

ARGUS Series	Model Number	Compressor		Connections (inch)		Pump Down Capacity* (lbs) 90% @ 90°F Ambient	Net Weight (lbs)
		Model Number	HP	Liquid	Suction		
R-404A R-448A R-449A R-452A	AS*R9510ZNA***	AW9480ZXN	1-1/4	3/8" S	5/8" S	18.36 (R-404A)	234
	AS*R9512ZNA***	AWA9512ZXN	1-1/2	3/8" S	5/8" S	18.36 (R-404A)	234
	AS*R9512ZFA***	AWA9512ZXT	1-1/2	3/8" S	5/8" S	18.36 (R-404A)	234
	AS*S9516ZNA***	VSC9515XNA	2	1/2" S	7/8" S	18.36 (R-404A)	234
	AS*S9516ZFA***	VSC9516XMA	2	1/2" S	7/8" S	18.36 (R-404A)	234
	AS*S9520ZNA***	VSC9519XNA	2-1/2	1/2" S	7/8" S	18.36 (R-404A)	234
	AS*S9520ZFA***	VSC9519XMA	2-1/2	1/2" S	7/8" S	18.36 (R-404A)	234
	AS*S9522ZNA***	VSC9521XNA	2-4/5	1/2" S	7/8" S	18.36 (R-404A)	234
AS*S9522ZFA***	VSC9521XMA	2-4/5	1/2" S	7/8" S	18.36 (R-404A)	234	

*Receiver + Coil Capacity

Electrical Data

Model Number	Power Supply	Compressor		Condensing Unit		Fan Motor (PSC)			Fan Motor (EC)		
	Volts/Hz/Ph	RLA	LRA	MCA*	MOPD	Qty	HP	FLA	Qty	HP	FLA
AS*R9510ZNA***	208-230/60/1	10.30	52	13.9	20	2	1/20	0.45	2	1/20	0.5
AS*R9510ZFA***	208-230/60/3	6.40	51	9.1	15	2	1/20	0.45	2	1/20	0.5
AS*R9512ZNA***	208-230/60/1	12.40	60	16.7	25	2	1/20	0.45	2	1/20	0.5
AS*R9512ZFA***	208-230/60/3	7.75	50	15.0	15	2	1/20	0.45	2	1/20	0.5
AS*S9512ZFA***	208-230/60/3	7.75	50	10.8	15	2	1/20	0.45	2	1/20	0.5
AS*S9516ZNA***	208-230/60/1	12.20	69	16.4	25	2	1/20	0.45	2	1/20	0.5
AS*S9516ZFA***	208-230/60/3	9.30	60	12.8	20	2	1/20	0.45	2	1/20	0.5
AS*S9520ZNA***	208-230/60/1	16.00	97	21.1	35	2	1/20	0.45	2	1/20	0.5
AS*S9520ZFA***	208-230/60/3	11.20	95	15.1	25	2	1/20	0.45	2	1/20	0.5
AS*S9522ZNA***	208-230/60/1	16.70	97	22.1	35	2	1/20	0.45	2	1/20	0.5
AS*S9522ZFA***	208-230/60/3	11.20	95	15.2	25	2	1/20	0.45	2	1/20	0.5

*Add .21 Amps for Heated Receiver

DOE AWEF (AHRI 1250)

AWEF Table	Model Number	Indoor	Outdoor
R-404A	AS*R9510Z****	5.61	8.28
	AS*R9512Z****	5.69	8.32
	AS*S9516Z****	6.17	9.28
	AS*S9520Z****	5.79	7.99
	AS*S9522Z****	5.61	8.67
	R-449A / R-448A	AS*R9510Z****	5.61
AS*R9512Z****		5.73	8.08
AS*S9516Z****		5.70	9.10
AS*S9520Z****		5.79	7.99
AS*S9522Z****		5.61	8.49
R-452A		AS*R9510Z****	5.61
	AS*R9512Z****	5.61	8.08
	AS*S9516Z****	5.82	8.71
	AS*S9520Z****	5.61	8.17
AS*S9522Z****	5.61	8.54	

1-1/4 to 2-4/5 HP Medium Temperature Platform (Tube Fin)

Performance Tables (R-404A)

80°F AMBIENT						
Model Number	Suction Temperature (SST)					
	30°F	25°F	20°F	10°F	0°F	-10°F
AS*R9510Z*****	15,591	14,027	13,236	10,345	7,838	5,703
AS*R9512Z*****	20,898	18,964	18,050	14,337	10,997	8,017
AS*S9516Z*****	22,276	20,577	19,956	16,518	13,286	10,245
AS*S9520Z*****	27,719	25,492	24,642	20,363	16,523	13,106
AS*S9522Z*****	30,539	28,187	27,332	22,674	18,376	14,421

90°F AMBIENT						
Model Number	Suction Temperature (SST)					
	30°F	25°F	20°F	10°F	0°F	-10°F
AS*R9510Z*****	13,741	12,309	11,565	8,960	6,734	4,880
AS*R9512Z*****	18,606	16,823	15,952	12,564	9,547	6,885
AS*S9516Z*****	20,340	18,768	18,184	15,024	12,064	9,295
AS*S9520Z*****	25,346	23,300	22,520	18,625	15,168	12,130
AS*S9522Z*****	27,835	25,668	24,870	20,611	16,707	13,142

95°F AMBIENT						
Model Number	Suction Temperature (SST)					
	30°F	25°F	20°F	10°F	0°F	-10°F
AS*R9510Z*****	12,816	11,451	10,730	8,266	6,183	4,469
AS*R9512Z*****	17,461	15,753	14,902	11,678	8,822	6,321
AS*S9516Z*****	19,371	17,864	17,298	14,275	11,453	8,820
AS*S9520Z*****	24,160	22,203	21,457	17,757	14,490	11,643
AS*S9522Z*****	26,484	24,409	23,640	19,579	15,872	12,504

100°F AMBIENT						
Model Number	Suction Temperature (SST)					
	30°F	25°F	20°F	10°F	0°F	-10°F
AS*R9510Z*****	11,890	10,592	9,893	7,573	5,631	4,058
AS*R9512Z*****	16,315	14,683	13,853	10,792	8,097	5,755
AS*S9516Z*****	18,403	16,960	16,412	13,528	10,842	8,344
AS*S9520Z*****	22,974	21,107	20,396	16,888	13,813	11,155
AS*S9522Z*****	25,132	23,150	22,409	18,548	15,037	11,864

110°F AMBIENT						
Model Number	Suction Temperature (SST)					
	30°F	25°F	20°F	10°F	0°F	-10°F
AS*R9510Z*****	10,040	8,874	8,222	6,187	4,528	3,235
AS*R9512Z*****	14,023	12,543	11,755	9,019	6,646	4,625
AS*S9516Z*****	16,466	15,152	14,640	12,033	9,620	—
AS*S9520Z*****	20,601	18,914	18,272	15,152	12,458	—
AS*S9522Z*****	22,428	20,631	19,947	16,484	13,368	—

*All capacity data is at dew point conditions

*Return gas 40°F below 20°F Evaporator and 65°F above 20°F evaporator, Sub Cooling 5°F

*Medium temperature evaporating temperature range is from -10°F to +45°F

Performance Tables (R-448A / R-449A)

80°F AMBIENT						
Model Number	Suction Temperature (SST)					
	30°F	25°F	20°F	10°F	0°F	-10°F
AS*R9510Z*****	14,201	12,553	11,596	8,758	6,463	4,701
AS*R9512Z*****	19,105	17,108	15,995	12,303	9,071	6,289
AS*S9516Z*****	20,765	18,929	18,067	14,641	11,628	9,015
AS*S9520Z*****	23,673	21,573	20,593	16,729	13,378	10,526
AS*S9522Z*****	26,702	24,512	23,520	19,116	14,954	11,021

90°F AMBIENT						
Model Number	Suction Temperature (SST)					
	30°F	25°F	20°F	10°F	0°F	-10°F
AS*R9510Z*****	12,604	11,039	10,092	7,433	5,315	3,729
AS*R9512Z*****	17,273	15,395	14,321	10,885	7,907	5,378
AS*S9516Z*****	19,321	17,574	16,737	13,504	10,681	8,255
AS*S9520Z*****	21,976	19,991	19,052	15,436	12,330	—
AS*S9522Z*****	24,765	22,704	21,755	17,625	13,735	—

95°F AMBIENT						
Model Number	Suction Temperature (SST)					
	30°F	25°F	20°F	10°F	0°F	-10°F
AS*R9510Z*****	11,806	10,282	9,339	6,770	4,741	3,242
AS*R9512Z*****	16,356	14,539	13,484	10,176	7,326	4,923
AS*S9516Z*****	18,599	16,897	16,072	12,935	10,206	7,876
AS*S9520Z*****	21,127	19,200	18,281	14,789	11,806	—
AS*S9522Z*****	23,797	21,800	20,872	16,879	13,125	—

100°F AMBIENT						
Model Number	Suction Temperature (SST)					
	30°F	25°F	20°F	10°F	0°F	-10°F
AS*R9510Z*****	11,008	9,526	8,588	6,108	4,168	2,756
AS*R9512Z*****	15,440	13,683	12,647	9,467	6,743	4,467
AS*S9516Z*****	17,878	16,220	15,407	12,366	9,732	7,496
AS*S9520Z*****	20,278	18,409	17,512	14,142	—	—
AS*S9522Z*****	22,829	20,896	19,989	16,133	—	—

110°F AMBIENT						
Model Number	Suction Temperature (SST)					
	30°F	25°F	20°F	10°F	0°F	-10°F
AS*R9510Z*****	9,411	8,012	7,084	4,783	3,019	1,783
AS*R9512Z*****	13,608	11,970	10,972	8,049	5,580	3,556
AS*S9516Z*****	16,434	14,866	14,078	11,228	8,785	—
AS*S9520Z*****	18,580	16,828	15,970	—	—	—
AS*S9522Z*****	20,892	19,088	18,222	—	—	—

Performance Tables (R-452A)

80°F AMBIENT						
Model Number	Suction Temperature (SST)					
	30°F	25°F	20°F	10°F	0°F	-10°F
AS*R9510Z*****	14,174	12,682	11,880	9,174	6,863	4,938
AS*R9512Z*****	19,848	17,889	16,876	13,194	9,933	7,083
AS*S9516Z*****	21,079	19,234	18,427	15,041	12,129	9,678
AS*S9520Z*****	25,702	23,286	22,183	18,029	14,708	12,202
AS*S9522Z*****	28,198	25,728	24,627	20,001	15,932	12,403

90°F AMBIENT						
Model Number	Suction Temperature (SST)					
	30°F	25°F	20°F	10°F	0°F	-10°F
AS*R9510Z*****	12,595	11,184	10,388	7,857	5,720	3,966
AS*R9512Z*****	17,747	15,920	14,942	11,545	8,567	5,996
AS*S9516Z*****	19,435	17,698	16,921	13,769	11,086	8,862
AS*S9520Z*****	24,076	21,749	20,656	16,694	13,563	11,245
AS*S9522Z*****	25,832	23,538	22,505	18,253	14,556	11,395

95°F AMBIENT						
Model Number	Suction Temperature (SST)					
	30°F	25°F	20°F	10°F	0°F	-10°F
AS*R9510Z*****	11,805	10,435	9,641	7,198	5,148	3,480
AS*R9512Z*****	16,696	14,936	13,975	10,721	7,884	5,454
AS*S9516Z*****	18,613	16,930	16,169	13,132	10,565	8,455
AS*S9520Z*****	23,263	20,981	19,894	16,028	12,991	10,766
AS*S9522Z*****	24,650	22,443	21,443	17,380	13,867	10,891

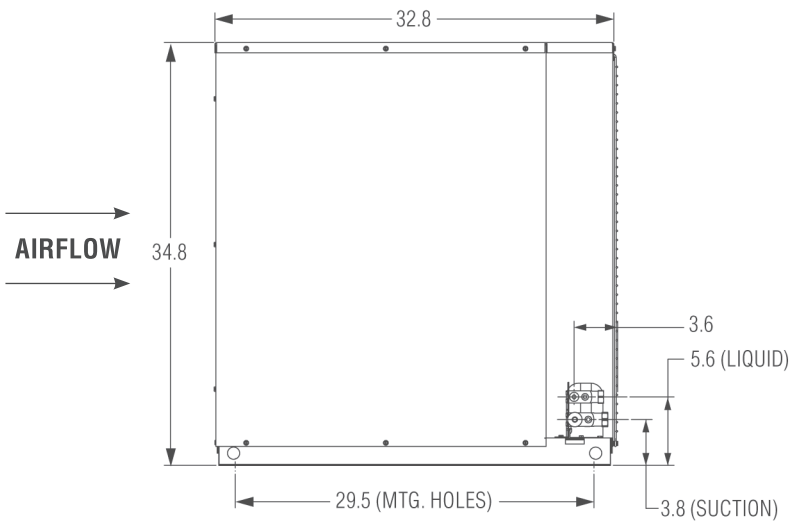
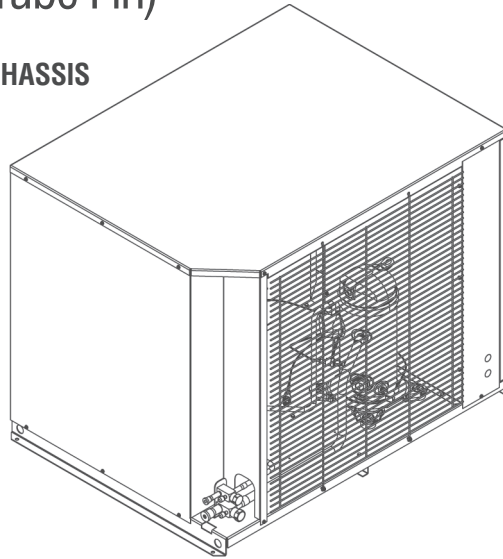
100°F AMBIENT						
Model Number	Suction Temperature (SST)					
	30°F	25°F	20°F	10°F	0°F	-10°F
AS*R9510Z*****	11,015	9,686	8,895	6,540	4,575	2,995
AS*R9512Z*****	15,645	13,951	13,008	9,897	7,201	4,911
AS*S9516Z*****	17,791	16,162	15,417	12,496	10,043	8,046
AS*S9520Z*****	22,450	20,212	19,131	15,360	12,418	10,288
AS*S9522Z*****	23,467	21,347	20,381	16,505	13,179	—

110°F AMBIENT						
Model Number	Suction Temperature (SST)					
	30°F	25°F	20°F	10°F	0°F	-10°F
AS*R9510Z*****	9,435	8,187	7,403	5,222	3,432	2,023
AS*R9512Z*****	13,544	11,983	11,074	8,247	5,835	3,825
AS*S9516Z*****	16,147	14,625	13,913	11,223	9,000	7,231
AS*S9520Z*****	20,824	18,675	17,606	14,026	11,274	—
AS*S9522Z*****	21,101	19,157	18,259	14,758	—	—

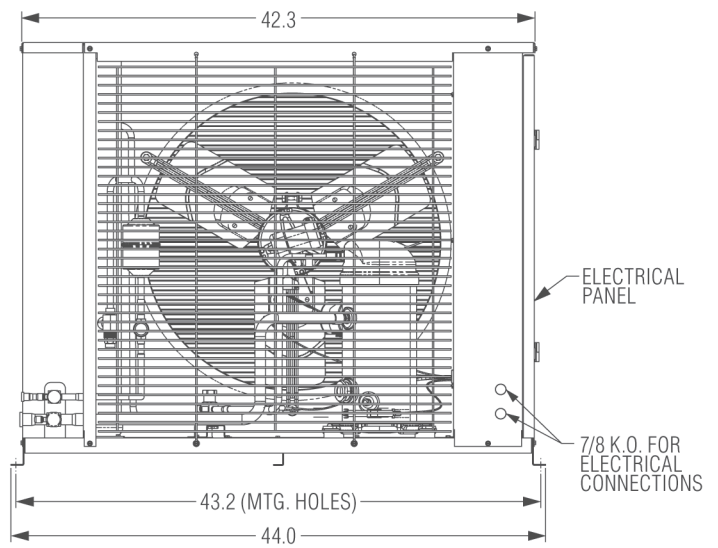
3 to 6 HP Medium Temperature Platform (Tube Fin)

Project Name:	
Customer Name:	
Model Number:	
Refrigerant:	
Job Location:	
Date:	
AWEF:	

LARGE CHASSIS



SIDE VIEW



FRONT VIEW

Physical Data

ARGUS Series	Model Number	Compressor		Connections (inch)		Pump Down Capacity* (lbs) 90% @ 90°F Ambient	Net Weight (lbs)
		Model Number	HP	Liquid	Suction		
R-404A	AS*S9524ZNA***	VSC9526XNA	3	1/2" S	7/8" S	34.38 (R-404A)	347
	AS*S9524ZFA***	VSC9526XMA	3	1/2" S	7/8" S	34.38 (R-404A)	347
R-448A	AS*S9532ZNA***	VSC9530XNA	4	1/2" S	1-1/8" S	34.38 (R-404A)	347
R-449A	AS*S9532ZFA***	VSC9530XMA	4	1/2" S	1-1/8" S	34.38 (R-404A)	347
R-452A	AS*S9540ZNA***	VSC9538XNA	5	1/2" S	1-1/8" S	34.38 (R-404A)	347
	AS*S9540ZFA***	VSC9538XMA	5	1/2" S	1-1/8" S	34.38 (R-404A)	347
	AS*S9548ZFA***	VSC9545XXT	6	1/2" S	1-1/8" S	34.38 (R-404A)	347

*Receiver + Coil Capacity

Electrical Data

Model Number	Power Supply	Compressor		Condensing Unit		Fan Motor (PSC)		
	Volts/Hz/Ph	RLA	LRA	MCA*	MOPD	Qty	HP	FLA
AS*S9524ZNA***	208-230/60/1	21	115	28.7	45	1	1/3	2.2
AS*S9524ZFA***	208-230/60/3	14.1	95	20.1	30	1	1/3	2.2
AS*S9532ZNA***	208-230/60/1	24.4	150	32.9	50	1	1/3	2.2
AS*S9532ZFA***	208-230/60/3	16.7	120	23.3	40	1	1/3	2.2
AS*S9540ZNA***	208-230/60/1	28.9	160	38.6	60	1	1/3	2.2
AS*S9540ZFA***	208-230/60/3	16.7	125	23.4	40	1	1/3	2.2
AS*S9548ZFA***	200-230/60/3	19.2	170	26.5	45	1	1/3	2.2

*Add .21 Amps for Heated Receiver

DOE AWEF (AHRI 1250)

AWEF Table	Model Number	Indoor	Outdoor
R-404A	AS*S9524Z****	5.72	8.20
	AS*S9532Z****	5.81	9.19
	AS*S9540Z****	6.12	8.95
	AS*S9548Z****	5.69	8.31
R-449A / R-448A	AS*S9524Z****	5.70	8.22
	AS*S9532Z****	5.81	9.41
	AS*S9540Z****	6.08	8.46
R-452A	AS*S9548Z****	5.69	8.31
	AS*S9524Z****	5.70	8.14
	AS*S9532Z****	5.81	8.26
	AS*S9540Z****	5.61	8.31
	AS*S9548Z****	5.61	8.37

3 to 6 HP Medium Temperature Platform (Tube Fin)

Performance Tables (R-404A)

80°F AMBIENT						
Model Number	Suction Temperature (SST)					
	30°F	25°F	20°F	10°F	0°F	-10°F
AS*S9524Z*****	39,404	35,830	34,238	27,642	21,950	17,133
AS*S9532Z*****	47,339	43,707	42,392	35,178	28,504	22,343
AS*S9540Z*****	56,188	51,748	50,048	41,232	33,069	25,530
AS*S9548Z*****	68,026	61,918	59,231	47,937	38,170	29,883

90°F AMBIENT						
Model Number	Suction Temperature (SST)					
	30°F	25°F	20°F	10°F	0°F	-10°F
AS*S9524Z*****	35,846	32,535	31,039	25,011	19,879	15,617
AS*S9532Z*****	43,305	39,928	38,674	32,008	25,876	20,253
AS*S9540Z*****	50,778	46,788	45,290	37,436	30,227	23,634
AS*S9548Z*****	60,455	55,028	52,680	42,842	34,516	27,660

95°F AMBIENT						
Model Number	Suction Temperature (SST)					
	30°F	25°F	20°F	10°F	0°F	-10°F
AS*S9524Z*****	34,066	30,887	29,441	23,695	18,843	14,860
AS*S9532Z*****	41,289	38,038	36,815	30,423	24,563	19,208
AS*S9540Z*****	48,074	44,308	42,911	35,539	28,806	22,686
AS*S9548Z*****	56,670	51,583	49,405	40,294	32,689	26,550

100°F AMBIENT						
Model Number	Suction Temperature (SST)					
	30°F	25°F	20°F	10°F	0°F	-10°F
AS*S9524Z*****	32,287	29,240	27,842	22,379	17,808	14,103
AS*S9532Z*****	39,272	36,149	34,956	28,839	23,250	18,164
AS*S9540Z*****	45,369	41,828	40,532	33,640	27,385	21,738
AS*S9548Z*****	52,884	48,138	46,130	37,747	30,861	25,438

110°F AMBIENT						
Model Number	Suction Temperature (SST)					
	30°F	25°F	20°F	10°F	0°F	-10°F
AS*S9524Z*****	28,728	25,945	24,644	19,748	15,736	—
AS*S9532Z*****	35,239	32,370	31,239	25,670	20,623	16,074
AS*S9540Z*****	39,959	36,868	35,774	29,844	24,542	19,842
AS*S9548Z*****	45,313	41,248	39,579	32,652	27,208	23,216

*All capacity data is at dew point conditions

*Return gas 40°F below 20°F Evaporator and 65°F above 20°F evaporator, Sub Cooling 5°F

*Medium temperature evaporating temperature range is from -10°F to +45°F

Performance Tables (R-448A / R-449A)

80°F AMBIENT						
Model Number	Suction Temperature (SST)					
	30°F	25°F	20°F	10°F	0°F	-10°F
AS*S9524Z*****	36,289	33,118	31,612	25,500	19,940	14,914
AS*S9532Z*****	42,383	38,636	36,865	29,817	23,560	18,069
AS*S9540Z*****	50,806	46,277	44,128	35,668	28,210	21,728
AS*S9548Z*****	58,695	53,593	51,233	41,630	33,101	25,613

90°F AMBIENT						
Model Number	Suction Temperature (SST)					
	30°F	25°F	20°F	10°F	0°F	-10°F
AS*S9524Z*****	33,791	30,759	29,278	23,465	18,202	13,471
AS*S9532Z*****	39,630	36,046	34,313	27,613	21,699	16,550
AS*S9540Z*****	47,334	43,028	40,945	32,962	25,976	19,960
AS*S9548Z*****	54,859	50,002	47,713	38,633	30,620	—

95°F AMBIENT						
Model Number	Suction Temperature (SST)					
	30°F	25°F	20°F	10°F	0°F	-10°F
AS*S9524Z*****	32,542	29,580	28,111	22,448	17,333	—
AS*S9532Z*****	38,254	34,751	33,037	26,510	20,769	15,791
AS*S9540Z*****	45,598	41,403	39,354	31,609	24,859	—
AS*S9548Z*****	52,942	48,207	45,954	37,134	29,379	—

100°F AMBIENT						
Model Number	Suction Temperature (SST)					
	30°F	25°F	20°F	10°F	0°F	-10°F
AS*S9524Z*****	31,293	28,401	26,945	21,432	16,464	—
AS*S9532Z*****	36,878	33,456	31,761	25,407	19,839	15,032
AS*S9540Z*****	43,863	39,779	37,763	30,255	23,741	—
AS*S9548Z*****	51,024	46,411	44,194	35,635	28,138	—

110°F AMBIENT						
Model Number	Suction Temperature (SST)					
	30°F	25°F	20°F	10°F	0°F	-10°F
AS*S9524Z*****	28,794	26,042	24,611	19,397	—	—
AS*S9532Z*****	34,126	30,866	29,208	23,203	17,978	—
AS*S9540Z*****	40,391	36,530	34,580	27,549	—	—
AS*S9548Z*****	47,189	42,820	40,675	32,637	—	—

Performance Tables (R-452A)

80°F AMBIENT						
Model Number	Suction Temperature (SST)					
	30°F	25°F	20°F	10°F	0°F	-10°F
AS*S9524Z*****	37,923	34,614	33,134	26,870	21,304	16,409
AS*S9532Z*****	44,230	40,558	38,983	31,794	25,197	19,166
AS*S9540Z*****	52,038	47,492	45,474	36,966	29,490	23,013
AS*S9548Z*****	60,549	55,229	52,889	43,124	34,718	27,630

90°F AMBIENT						
Model Number	Suction Temperature (SST)					
	30°F	25°F	20°F	10°F	0°F	-10°F
AS*S9524Z*****	35,132	32,012	30,591	24,732	19,565	15,068
AS*S9532Z*****	41,048	37,590	36,083	29,354	23,211	17,633
AS*S9540Z*****	48,089	43,826	41,911	34,009	27,133	21,253
AS*S9548Z*****	56,002	51,011	48,790	39,728	32,018	25,621

95°F AMBIENT						
Model Number	Suction Temperature (SST)					
	30°F	25°F	20°F	10°F	0°F	-10°F
AS*S9524Z*****	33,737	30,711	29,320	23,663	18,696	14,397
AS*S9532Z*****	39,457	36,106	34,633	28,134	22,219	16,866
AS*S9540Z*****	46,114	41,992	40,129	32,530	25,955	20,372
AS*S9548Z*****	53,729	48,901	46,741	38,031	30,667	24,617

100°F AMBIENT						
Model Number	Suction Temperature (SST)					
	30°F	25°F	20°F	10°F	0°F	-10°F
AS*S9524Z*****	32,342	29,410	28,048	22,594	17,827	13,726
AS*S9532Z*****	37,866	34,622	33,182	26,913	21,227	16,100
AS*S9540Z*****	44,139	40,159	38,348	31,052	24,777	19,493
AS*S9548Z*****	51,456	46,792	44,692	36,332	29,317	23,611

110°F AMBIENT						
Model Number	Suction Temperature (SST)					
	30°F	25°F	20°F	10°F	0°F	-10°F
AS*S9524Z*****	29,552	26,808	25,507	20,455	16,088	—
AS*S9532Z*****	34,684	31,655	30,283	24,474	19,242	—
AS*S9540Z*****	40,190	36,493	34,783	28,095	22,420	—
AS*S9548Z*****	46,909	42,573	40,594	32,936	26,617	—