



BHT008X6BFM - SUBMITTAL

Project Name:	NAKS - Cooler Condensers	Project Location:	
Quote ID:		Item #:	2000
Submitted For:	NAKS	Submitted On:	08/12/2019
Submitted By:		Submitted From:	
Identity #:		Tag:	

For Record For Approval By: _____ Date: _____

General Product Information

Product Family:	BHT	Compressor Brand:	Copeland
Application:	Outdoor	Compressor Type:	Hermetic
Temperature Range:	Extended Temp	Compressor Hp:	0.75
Voltage: (Volts/Ph/Hz)	208-230/1/60	Compressor Model:	RST55C1E-CAV
Refrigerant Type:	R404A	Number of Compressor(s):	1
Piping:	Standard	Coil Type:	Microchannel

NOTE: THIS EQUIPMENT IS PROHIBITED FROM USE IN CALIFORNIA WITH ANY REFRIGERANTS ON THE "LIST OF PROHIBITED SUBSTANCES" FOR THAT SPECIFIC END-USE, IN ACCORDANCE WITH CALIFORNIA CODE OF REGULATIONS, TITLE 17, SECTION 95374. THIS DISCLOSURE STATEMENT HAS BEEN REVIEWED AND APPROVED BY HEATCRAFT REFRIGERATION PRODUCTS LLC AND HEATCRAFT REFRIGERATION PRODUCTS LLC ATTESTS, UNDER PENALTY OF PERJURY, THAT THESE STATEMENTS ARE TRUE AND ACCURATE.

Technical Information

Performance Data

Ambient Temperature (°F)	Saturated Suction Temperature (°F)	Capacity (BTU/H)	Altitude (ft)	AWEF Value
95	25.0	7,070	0	7.83

NOTE: AWEF 7.83 INDICATES REFRIGERATION SYSTEM IS DESIGNED AND CERTIFIED FOR USE IN WALK-IN COOLER APPLICATIONS ABOVE +32 F ROOM TEMPERATURE.

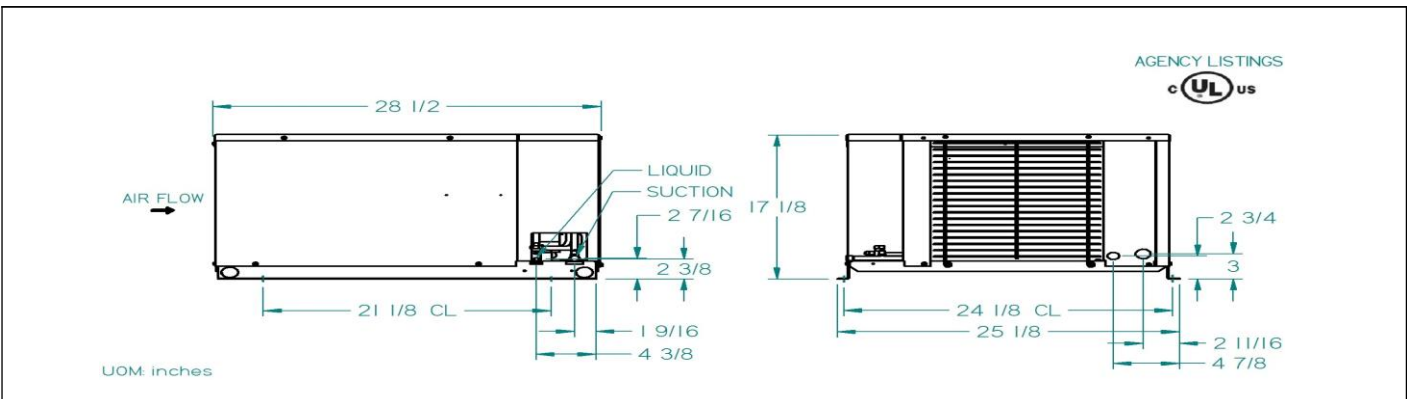
Electrical Data

Compressor(s)		Fan Motor(s)			Electric Ratings						
RLA	LRA	Quantity	Hp	FLA	Defrost Type	High or Low Amps?	Number of Contactors	MCA	MOPD	Evap. Fan Amps	Defrost Heater Amps
6.1	33.7	1	1/15	0.5	ELECTRIC DEFROST	NA		15	15		

Unit Specifications

Connections (in.)		Receiver 90% Full (lbs)		Fan Blade(s) Diameter (in)	Sound Data (dB)	Approx. Net Weight (lbs)
Liquid Line	Suction	Standard	Over Sized			
3/8	1/2	5.5		14	68	135

Dimensional Drawing(s)





BHT008X6BFM - SUBMITTAL

Project Name:	NAKS - Cooler Condensers	Project Location:	
Quote ID:		Item #:	2000
Submitted For:	NAKS	Submitted On:	08/12/2019
Submitted By:		Submitted From:	
Identity #:		Tag:	

Standard Features

QUALITY

- ALL UNITS ARE COMPLETELY LEAK TESTED IN A HELIUM ENVIRONMENT, BUMP TESTED AND ALLOWED TO CYCLE OFF ON THE HIGH AND LOW PRESSURE CONTROL.
- EACH UNIT HAS A COPY OF THE RUN DATA SHIPPED INSIDE THE ELECTRICAL PANEL
- ELECTRICAL CIRCUITS ARE COMPLETELY CHECKED FOR CONTINUITY
- ENCAPSULATED, AUTO-RESET, HIGH AND LOW PRESSURE CONTROLS TO ELIMINATE LEAKS (STANDARD ON ALL HIGH AND MEDIUM TEMPERATURE MODELS, ADJUSTABLE LOW PRESSURE CONTROL STANDARD ON LOW TEMPERATURE MODELS)
- PIPING IS LAID OUT TO MINIMIZE STRESS AND VIBRATION AND IS PRE-BENT TO ELIMINATE LEAKS

COMPONENT

- COMPRESSOR: 1/2 TO 1 HP COMPRESSORS ARE RIGID MOUNTED AND HAVE A DISCHARGE LOOP
- COMPRESSOR: DISCHARGE SERVICE VALVES COME STANDARD ON ALL UNITS
- FAN: SPECIFICALLY MATCHED WITH MOTOR AND COIL TO ATTAIN MAXIMUM AIR MOVEMENT AND COOLING

SERVICEABILITY

- LARGE ELECTRICAL PANEL FOR EASE OF ACCESS
- PREFABRICATED WIRING HARNESSES FOR TIGHT CRIMP CONNECTIONS AND CONSISTENT LABELING
- RECEIVER WITH FUSIBLE PLUG, LIQUID SHUTOFF VALVE AND CHARGING PORT IS STANDARD
- SIGHT GLASS IS EASILY VIEWABLE
- SUCTION SERVICE VALVES FOR HERMETIC COMPRESSORS LOCATED OUTSIDE THE CABINET FOR QUICK INSTALLATIONS.
- UNIT STAYS ON IF THE HOOD IS REMOVED FOR SERVICING

CABINET AND CONSTRUCTION

- HEAVY DUTY STEEL RAISED BASE WITH 1-1/2" LEGS
- PAINTED STEEL CABINETS FOR SUPERIOR STRENGTH AND CORROSION PROTECTION

Options

Mounted Options

- DEFROST TYPE - ELECTRIC DEFROST
- BRAND LABEL OPTION - BOHN
- DISCHARGE LINE OPTIONS - HEAD PRESSURE VALVE
- CABINET OPTIONS - PAINTED- OUTDOOR
- LIQUID LINE OPTIONS - LIQUID STANDARD
- DEFROST TIMER OPTIONS - NO TIMER
- CRANKCASE HEATER OPTIONS - CRANKCASE HEATER
- SUCTION LINE OPTIONS - SUCTION TUBE ONLY
- COIL SELECTION - ALUMINUM FIN COIL

Shipped-Loose Options (Unit)

(QTY)Part Number - Description	(QTY)Part Number - Description
(1) ACH0 - ACH0 .5 - 1HP HERMETIC WARRANTY	

Minimum Unit Clearances

