



# BHT014L6BF - SUBMITTAL

|                |                       |                   |            |
|----------------|-----------------------|-------------------|------------|
| Project Name:  | NAKS - Freezer Remote | Project Location: |            |
| Quote ID:      |                       | Item #:           | 7000       |
| Submitted For: | NAKS                  | Submitted On:     | 08/12/2019 |
| Submitted By:  |                       | Submitted From:   |            |
| Identity #:    |                       | Tag:              |            |

For Record       For Approval      By: \_\_\_\_\_      Date: \_\_\_\_\_

## General Product Information

|                        |              |                          |              |
|------------------------|--------------|--------------------------|--------------|
| Product Family:        | BHT          | Compressor Brand:        | Copeland     |
| Application:           | Outdoor      | Compressor Type:         | Hermetic     |
| Temperature Range:     | Low Temp     | Compressor Hp:           | 1.5          |
| Voltage: (Volts/Ph/Hz) | 208-230/1/60 | Compressor Model:        | CF06K6E-PFV  |
| Refrigerant Type:      | R404A        | Number of Compressor(s): | 1            |
| Piping:                | Standard     | Coil Type:               | Microchannel |

NOTE : THIS EQUIPMENT IS PROHIBITED FROM USE IN CALIFORNIA WITH ANY REFRIGERANTS ON THE "LIST OF PROHIBITED SUBSTANCES" FOR THAT SPECIFIC END-USE, IN ACCORDANCE WITH CALIFORNIA CODE OF REGULATIONS, TITLE 17, SECTION 95374. THIS DISCLOSURE STATEMENT HAS BEEN REVIEWED AND APPROVED BY HEATCRAFT REFRIGERATION PRODUCTS LLC AND HEATCRAFT REFRIGERATION PRODUCTS LLC ATTESTS, UNDER PENALTY OF PERJURY, THAT THESE STATEMENTS ARE TRUE AND ACCURATE.

## Technical Information

### Performance Data

| Ambient Temperature (°F) | Saturated Suction Temperature (°F) | Capacity (BTU/H) | Altitude (ft) | AWEF Value |
|--------------------------|------------------------------------|------------------|---------------|------------|
| 95                       | -10.0                              | 7,750            | 0             | N/A        |

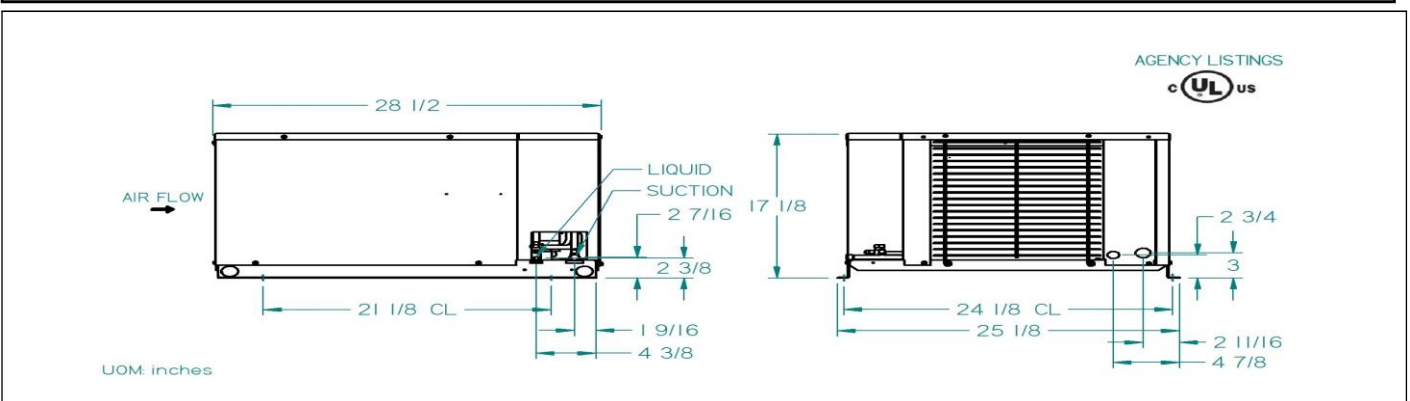
### Electrical Data

| Compressor(s) |      | Fan Motor(s) |      |     | Electric Ratings |                   |                      |     |      |                |                     |
|---------------|------|--------------|------|-----|------------------|-------------------|----------------------|-----|------|----------------|---------------------|
| RLA           | LRA  | Quantity     | Hp   | FLA | Defrost Type     | High or Low Amps? | Number of Contactors | MCA | MOPD | Evap. Fan Amps | Defrost Heater Amps |
| 10.3          | 59.2 | 1            | 1/15 | 0.5 | ELECTRIC DEFROST | NA                | 1                    | 20  | 25   | 4              | 15                  |

### Unit Specifications

| Connections (in.) |         | Receiver 90% Full (lbs) |            | Fan Blade(s) Diameter (in) | Sound Data (dB) | Approx. Net Weight (lbs) |
|-------------------|---------|-------------------------|------------|----------------------------|-----------------|--------------------------|
| Liquid Line       | Suction | Standard                | Over Sized |                            |                 |                          |
| 3/8               | 5/8     | 5.5                     |            | 14                         | 73              | 170                      |

### Dimensional Drawing(s)





# BHT014L6BF - SUBMITTAL

|                |                       |                   |            |
|----------------|-----------------------|-------------------|------------|
| Project Name:  | NAKS - Freezer Remote | Project Location: |            |
| Quote ID:      |                       | Item #:           | 7000       |
| Submitted For: | NAKS                  | Submitted On:     | 08/12/2019 |
| Submitted By:  |                       | Submitted From:   |            |
| Identity #:    |                       | Tag:              |            |

## Standard Features

### QUALITY

- ALL UNITS ARE COMPLETELY LEAK TESTED IN A HELIUM ENVIRONMENT, BUMP TESTED AND ALLOWED TO CYCLE OFF ON THE HIGH AND LOW PRESSURE CONTROL.
- EACH UNIT HAS A COPY OF THE RUN DATA SHIPPED INSIDE THE ELECTRICAL PANEL
- ELECTRICAL CIRCUITS ARE COMPLETELY CHECKED FOR CONTINUITY
- ENCAPSULATED, AUTO-RESET, HIGH AND LOW PRESSURE CONTROLS TO ELIMINATE LEAKS (STANDARD ON ALL HIGH AND MEDIUM TEMPERATURE MODELS, ADJUSTABLE LOW PRESSURE CONTROL STANDARD ON LOW TEMPERATURE MODELS)
- PIPING IS LAID OUT TO MINIMIZE STRESS AND VIBRATION AND IS PRE-BENT TO ELIMINATE LEAKS

### COMPONENT

- COMPRESSOR: 1/2 TO 1 HP COMPRESSORS ARE RIGID MOUNTED AND HAVE A DISCHARGE LOOP
- COMPRESSOR: DISCHARGE SERVICE VALVES COME STANDARD ON ALL UNITS
- FAN: SPECIFICALLY MATCHED WITH MOTOR AND COIL TO ATTAIN MAXIMUM AIR MOVEMENT AND COOLING

### SERVICEABILITY

- LARGE ELECTRICAL PANEL FOR EASE OF ACCESS
- PREFABRICATED WIRING HARNESSES FOR TIGHT CRIMP CONNECTIONS AND CONSISTENT LABELING
- RECEIVER WITH FUSIBLE PLUG, LIQUID SHUTOFF VALVE AND CHARGING PORT IS STANDARD
- SIGHT GLASS IS EASILY VIEWABLE
- SUCTION SERVICE VALVES FOR HERMETIC COMPRESSORS LOCATED OUTSIDE THE CABINET FOR QUICK INSTALLATIONS.
- UNIT STAYS ON IF THE HOOD IS REMOVED FOR SERVICING

### CABINET AND CONSTRUCTION

- HEAVY DUTY STEEL RAISED BASE WITH 1-1/2" LEGS
- PAINTED STEEL CABINETS FOR SUPERIOR STRENGTH AND CORROSION PROTECTION

## Options

### Mounted Options

- DEFROST TYPE - ELECTRIC DEFROST
- BRAND LABEL OPTION - BOHN
- DISCHARGE LINE OPTIONS - HEAD PRESSURE VALVE
- CABINET OPTIONS - PAINTED- OUTDOOR
- LIQUID LINE OPTIONS - LIQUID STANDARD
- DEFROST TIMER OPTIONS - DEFROST TIMER - ELEC
- CRANKCASE HEATER OPTIONS - CRANKCASE HEATER
- SUCTION LINE OPTIONS - SUCTION TUBE ONLY
- COIL SELECTION - ALUMINUM FIN COIL

### Shipped-Loose Options (Unit)

| (QTY)Part Number - Description               | (QTY)Part Number - Description |
|--|--------------------------------|
| (1) ACH1 - ACH1 1.1-1.9 HP HERMETIC WARRANTY |                                |

## Minimum Unit Clearances

