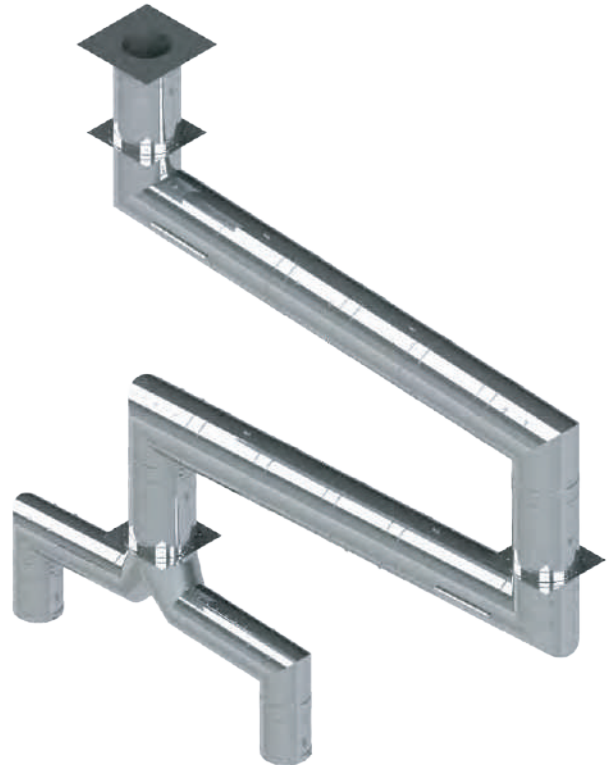


## Grease Duct Spec

**Model:**

**DW-NAKS-CK-RC-KIT21**

**Double Wall 22" with Four Elbows**



- 8x J-600 Sealant
- 12x DW-NAKS-CK22-LSB-RC Light Support Band
- 2x DW-NAKS-CK22-APS-RC Anchor Plate Support
- 2x DW-NAKS-CK16-24CL-RC 24" Cut Length
- 1x DW-NAKS-CK22-24CL-RC 24" Cut Length
- 6x DW-NAKS-CK22-48L-RC 48" Fixed Length
- 4x DW-NAKS-CK22-48CL-RC 48" Cut Length
- 2x DW-NAKS-CK22-IAD-RC Inline Access Door Length
- 2x DW-NAKS-CK16-87EA-RC 87 Degree Elbow w/ Access
- 4x DW-NAKS-CK22-87EA-RC 87 Degree Elbow w/ Access
- 1x DW-NAKS-CK22-87BHT16-RC 87 Deg Red Bull-Head Tee
- 2x DW-NAKS-CK16-NWHO-RC No-Weld Hood Adapter - Oval
- 1x DW-NAKS-CK22-FPE:36x36-RC Fan Plate Adapter - End



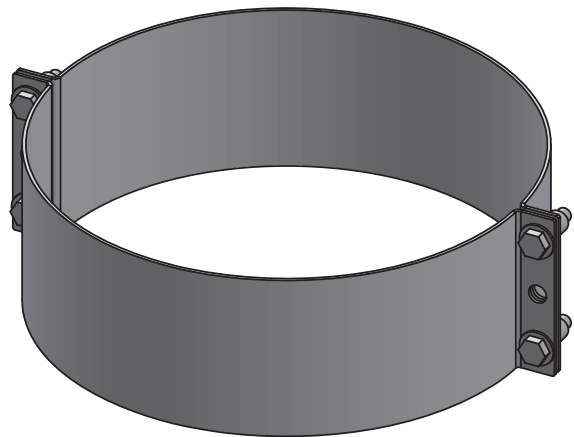
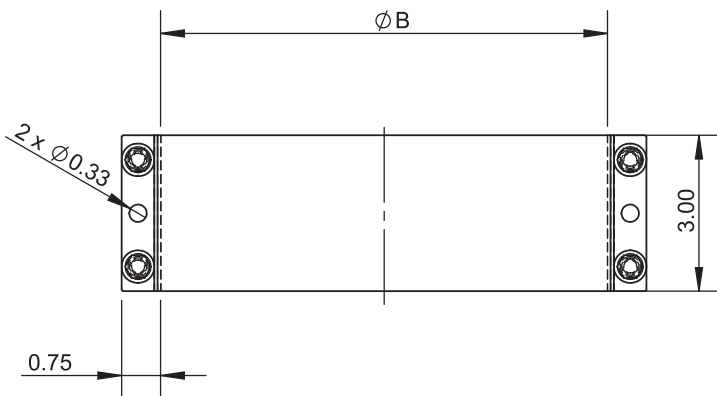


Vent Diameter	Number of Joints Per 10 oz. Tube
3" - 6"	6.7
8" - 10"	6
11" - 12"	5.3
13" - 16"	4.7
18" - 20"	4
22" - 24"	3.3
26" - 28"	2.7
30" - 32"	2
34" - 36"	1.3
38" - 48"	0.7

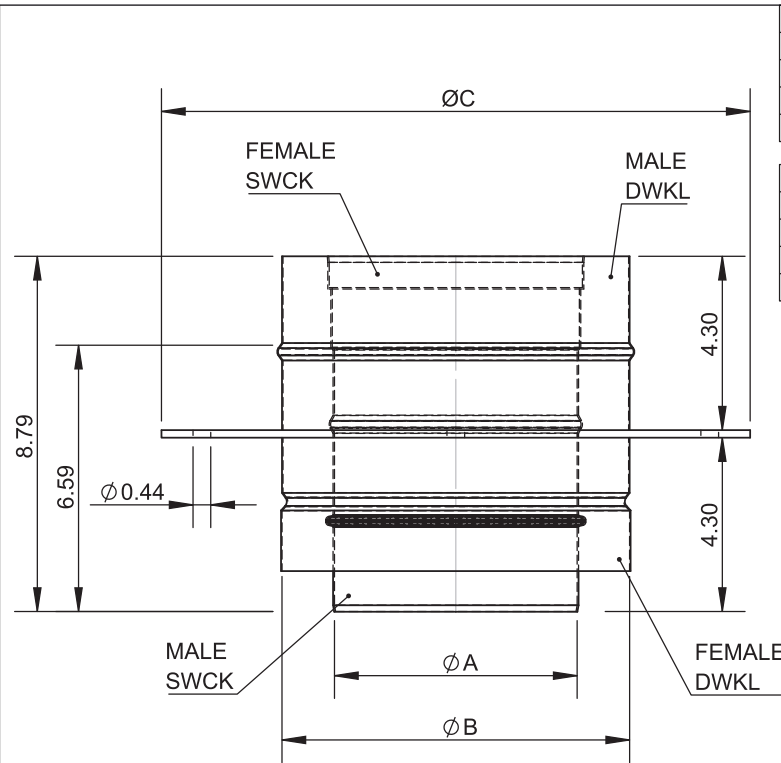
	drawn by	model	code	description
	JJR	ALL	J-600	J-600 Sealant

Ø	6	7	8	9	10	11	12	13	14	16
B	8.5	9.5	10.5	11.5	12.5	13.5	14.5	15.5	16.5	18.5
lb	1.63	1.78	1.94	2.11	2.27	2.42	2.57	2.73	2.90	3.21

Ø	18	20	22	24	26	28	30	32	34	36
B	20.5	22.5	24.5	26.5	28.5	30.5	32.5	34.5	36.5	38.5
lb	3.52	3.85	4.16	4.49	4.80	5.13	5.43	5.74	6.07	6.38

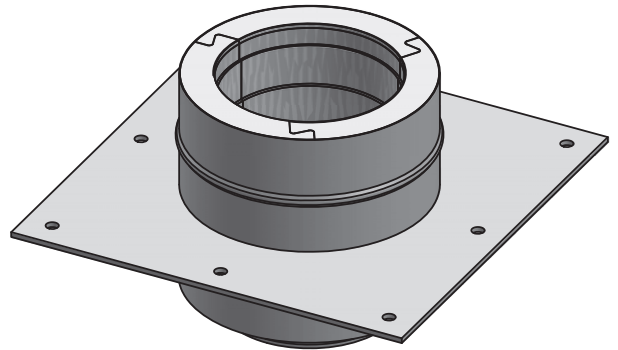


	drawn by	model	code	description
	JJR	DW-NAKS-CK-RC	LSB	DW-NAKS-CKØ-LSB-RC Light Support Band



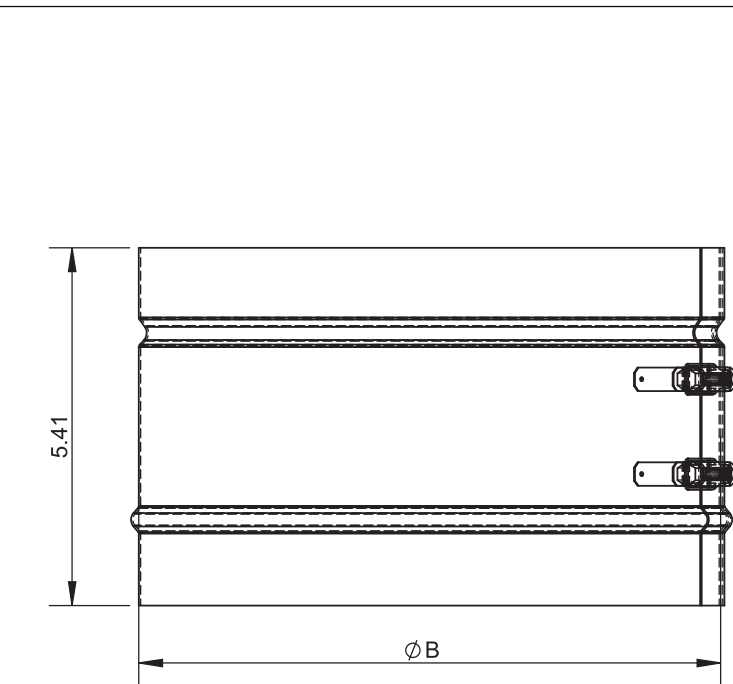
Ø	6	7	8	9	10	11	12	13	14	16
A	6	7	8	9	10	11	12	13	14	16
B	8.5	9.5	10.5	11.5	12.5	13.5	14.5	15.5	16.5	18.5
C	14.56	15.56	16.56	17.56	18.56	19.56	20.56	21.56	22.56	24.56
lb	14.39	16.06	17.73	19.45	21.16	22.92	24.62	26.42	28.23	31.94

Ø	18	20	22	24	26	28	30	32	34	36
A	18	20	22	24	26	28	30	32	34	36
B	20.5	22.5	24.5	26.5	28.5	30.5	32.5	34.5	36.5	38.5
C	26.56	28.56	30.56	32.56	34.56	36.56	38.56	40.56	42.56	44.56
lb	35.71	39.60	43.54	51.44	55.86	60.41	65.01	69.74	74.51	79.44



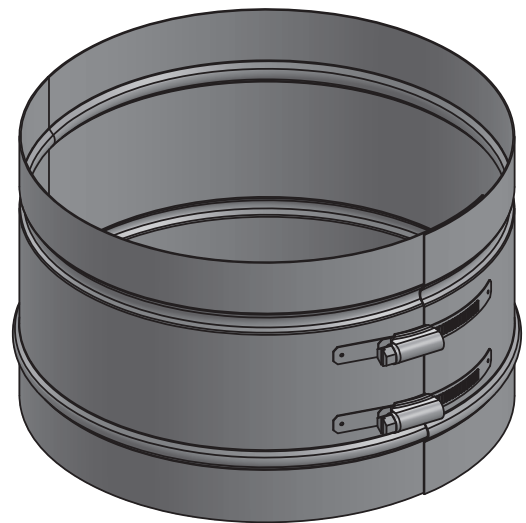
\*INCLUDES 1 LOCKING BAND

drawn by	model	code	description
JJR	DW-NAKS-CK-RC	APS	DW-NAKS-CKØ-APS-RC Anchor Plate Support

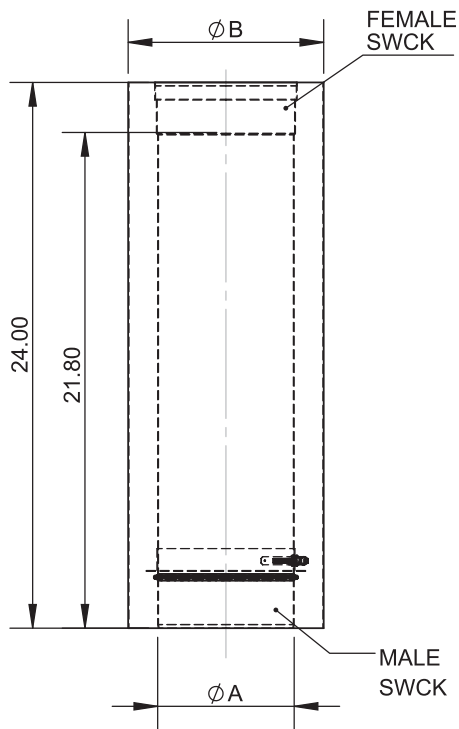


Ø	6	7	8	9	10	11	12	13	14	16
B	8.5	9.5	10.5	11.5	12.5	13.5	14.5	15.5	16.5	18.5
lb	1.25	1.39	1.52	1.65	1.76	1.89	2.00	2.16	2.27	2.53

Ø	18	20	22	24	26	28	30	32	34	36
B	20.5	22.5	24.5	26.5	28.5	30.5	32.5	34.5	36.5	38.5
lb	2.77	3.04	3.26	3.54	3.76	4.05	4.27	4.55	4.77	5.04



drawn by	model	code	description
JJR	DW-NAKS-CK-RC	LB	DW-NAKS-CKØ-LB-RC Locking Band



Ø	6	7	8	9	10	11	12	13	14	16
A	6	7	8	9	10	11	12	13	14	16
B	8.5	9.5	10.5	11.5	12.5	13.5	14.5	15.5	16.5	18.5
lb	16.76	18.94	21.08	23.25	25.41	27.57	29.72	31.88	34.03	38.37

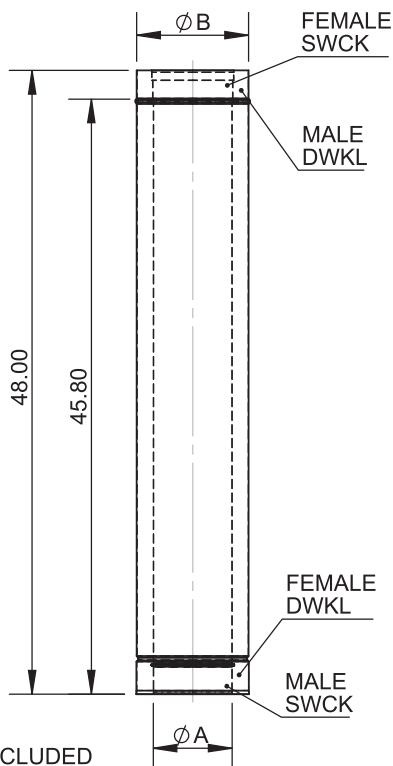
Ø	18	20	22	24	26	28	30	32	34	36
A	18	20	22	24	26	28	30	32	34	36
B	20.5	22.5	24.5	26.5	28.5	30.5	32.5	34.5	36.5	38.5
lb	42.66	46.99	51.28	72.31	77.88	83.53	89.10	94.75	100.32	105.97



\*FLANGE SUPPORT BAND INCLUDED  
ON SIZES 14" AND ABOVE

\*INCLUDES 1 CUT LENGTH LOCKING BAND

	drawn by	JJR	model	DW-NAKS-CK-RC	code	24CL	description	DW-NAKS-CKØ-24CL-RC 24" Cut Pipe Length
--	----------	-----	-------	---------------	------	------	-------------	---



Ø	6	7	8	9	10	11	12
A	6	7	8	9	10	11	12
B	8.5	9.5	10.5	11.5	12.5	13.5	14.5
lb	24.05	27.30	30.54	33.79	37.03	40.28	43.52

Ø	13	14	16	18	20	22	24
A	13	14	16	18	20	22	24
B	15.5	16.5	18.5	20.5	22.5	24.5	26.5
lb	46.77	49.35	56.83	63.32	69.81	76.27	104.54



\*FLANGE SUPPORT BAND INCLUDED  
ON SIZES 14" AND ABOVE

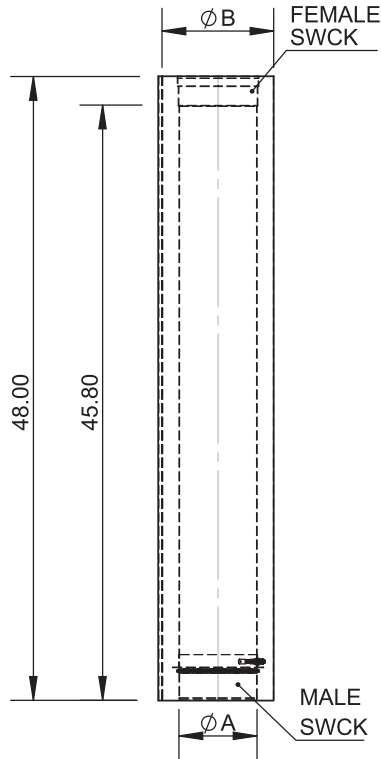
\*INCLUDES 1 LOCKING BAND

	drawn by	CLS	model	DW-NAKS-CK-RC	code	48L	description	DW-NAKS-CKØ-48L-RC 48" Fixed Length
--	----------	-----	-------	---------------	------	-----	-------------	-------------------------------------

Ø	6	7	8	9	10	11	12
A	6	7	8	9	10	11	12
B	8.5	9.5	10.5	11.5	12.5	13.5	14.5
lb	33.52	37.88	42.16	46.50	50.82	55.14	59.44

Ø	13	14	16	18	20	22	24
A	13	14	16	18	20	22	24
B	15.5	16.5	18.5	20.5	22.5	24.5	26.5
lb	63.76	68.06	76.74	85.32	93.98	102.56	144.62



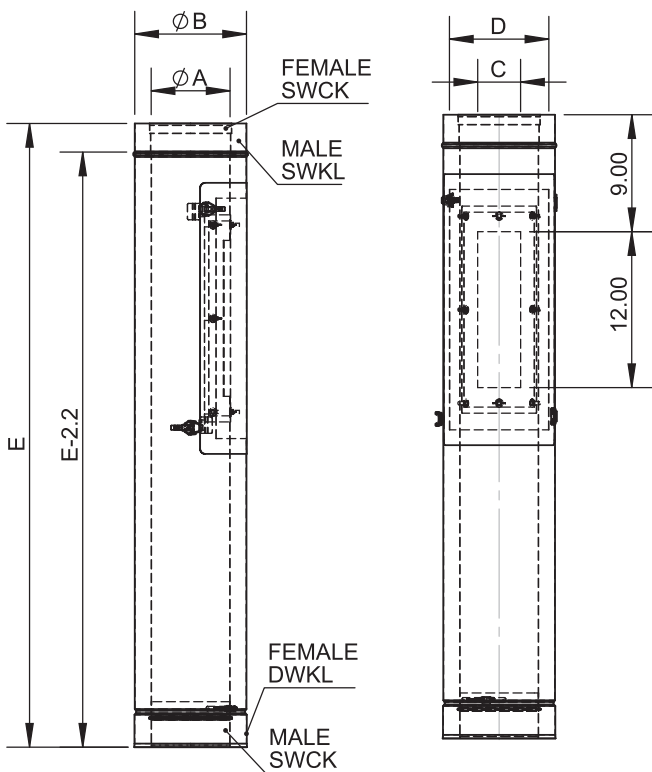
\*FLANGE SUPPORT BAND INCLUDED  
ON SIZES 14" AND ABOVE  
\*INCLUDES 1 CUT LENGTH LOCKING BAND

	drawn by	JJR	model	DW-NAKS-CK-RC	code	48CL	description	DW-NAKS-CKØ-48CL-RC 48" Cut Pipe Length
--	----------	-----	-------	---------------	------	------	-------------	---

Ø	6	7	8	9	10	11	12	13	14	16
A	6	7	8	9	10	11	12	13	14	16
B	8.5	9.5	10.5	11.5	12.5	13.5	14.5	15.5	16.5	18.5
C	3.3	3.3	3.4	3.4	5.5	5.5	5.5	5.5	5.7	5.7
D	7.65	7.99	8.24	8.43	10.22	10.45	10.7	10.85	10.98	11.19
E	48									
lb	25.41	28.64	31.90	35.13	38.48	41.73	44.92	48.20	51.44	57.95

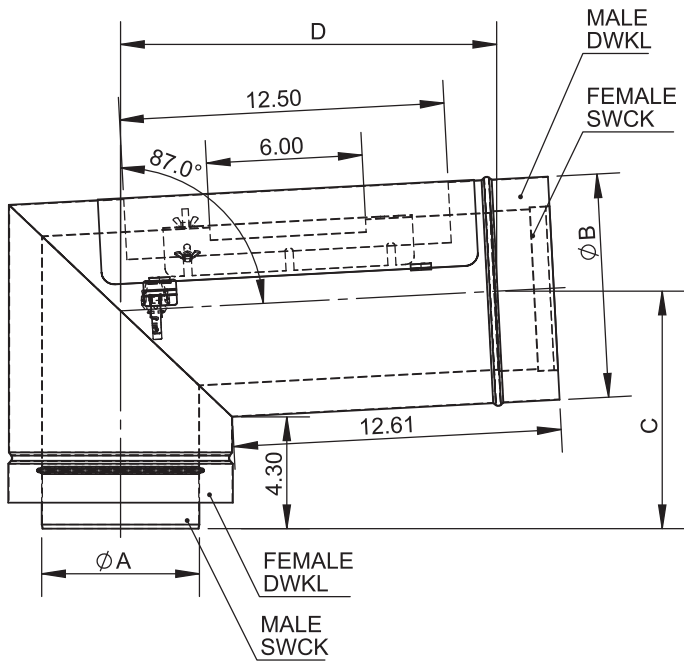
  

Ø	18	20	22	24	26	28	30	32	34	36
A	18	20	22	24	26	28	30	32	34	36
B	20.5	22.5	24.5	26.5	28.5	30.5	32.5	34.5	36.5	38.5
C	5.8	8.7	8.8	8.8	10.7	10.8	10.8	13.7	13.8	13.8
D	11.34	13.92	14.09	14.22	15.86	16.08	17.46	19.3	19.42	20.13
E	48					36				
lb	64.42	71.06	77.53	80.94	87.27	93.50	99.70	106.11	112.29	118.54



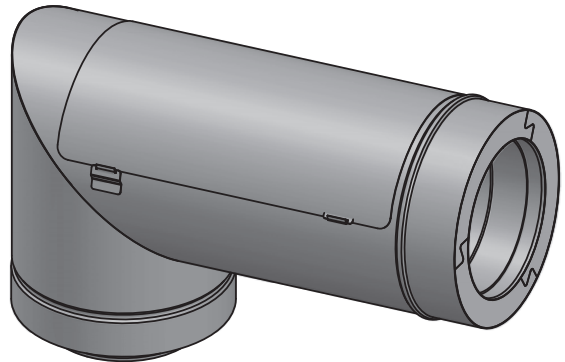
\*FLANGE SUPPORT BAND INCLUDED  
ON SIZES 14" AND ABOVE  
\*INCLUDES 1 LOCKING BAND

	drawn by	CLS	model	DW-NAKS-CK-RC	code	IAD	description	DW-NAKS-CKØ-IAD-RC Inline Access Door Length
--	----------	-----	-------	---------------	------	-----	-------------	--



Ø	6	7	8	9	10	11	12	13	14	16
A	6	7	8	9	10	11	12	13	14	16
B	8.5	9.5	10.5	11.5	12.5	13.5	14.5	15.5	16.5	18.5
C	9.14	9.64	10.14	10.64	11.14	11.64	12.13	12.63	13.13	14.14
D	14.47	14.95	15.42	15.89	16.37	16.84	17.32	17.79	18.26	19.22
lb	13.71	15.95	18.30	20.79	23.47	26.22	29.06	32.05	35.16	52.69

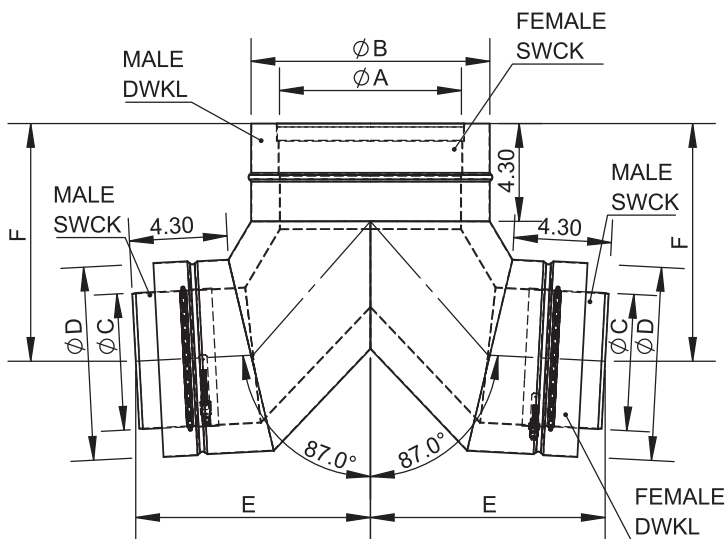
Ø	18	20	22	24	26	28	30	32	34	36
A	18	20	22	24	26	28	30	32	34	36
B	20.5	22.5	24.5	26.5	28.5	30.5	32.5	34.5	36.5	38.5
C	15.14	16.13	17.13	18.13	19.13	20.13	21.13	22.13	23.12	24.12
D	20.16	21.11	22.06	23.01	23.95	24.9	25.85	26.8	27.74	28.69
lb	61.64	71.43	81.66	92.58	104.17	116.34	129.12	142.74	156.75	172.33



\*FLANGE SUPPORT BAND INCLUDED  
ON SIZES 14" AND ABOVE

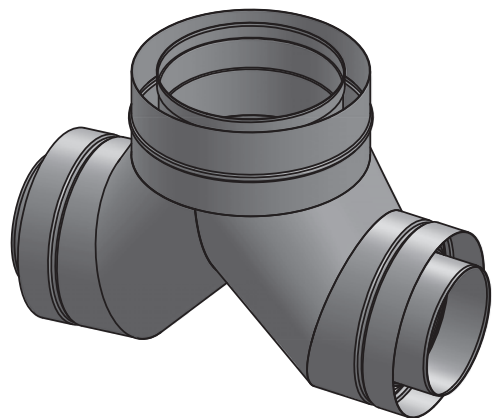
\*INCLUDES 1 LOCKING BAND

	drawn by	CLS	model	DW-NAKS-CK-RC	code	87EA	description	DW-NAKS-CKØ-87EA-RC 87 Elbow Access		
--	----------	-----	-------	---------------	------	------	-------------	-------------------------------------	--	--



Ø	6	7	8	9	10	11	12	13	14	16
A	6	7	8	9	10	11	12	13	14	16
B	8.5	9.5	10.5	11.5	12.5	13.5	14.5	15.5	16.5	18.5
C	Customer Dimension									
D	Customer Dimension									
E	Customer Dimension									
F	Customer Dimension									

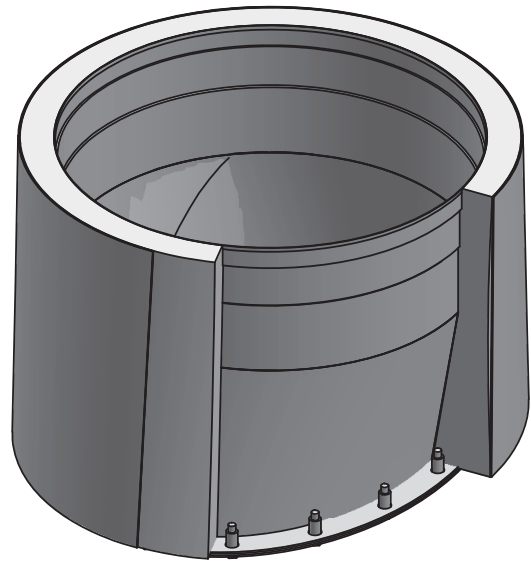
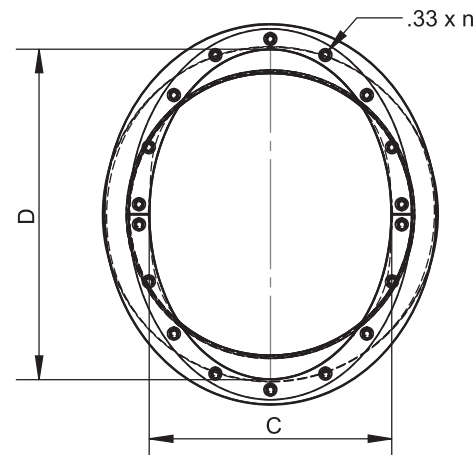
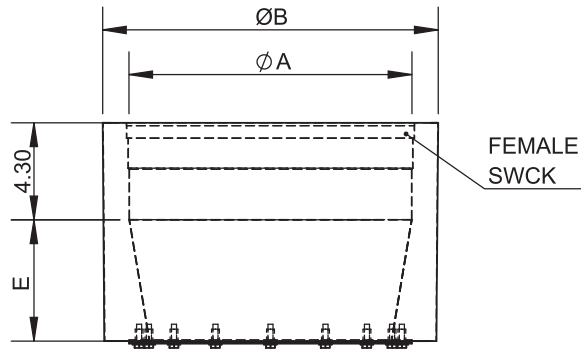
Ø	18	20	22	24	26	28	30	32	34	36
A	18	20	22	24	26	28	30	32	34	36
B	20.5	22.5	24.5	26.5	28.5	30.5	32.5	34.5	36.5	38.5
C	Customer Dimension									
D	Customer Dimension									
E	Customer Dimension									
F	Customer Dimension									



\*FLANGE SUPPORT BANDS INCLUDED  
ON 14" AND ABOVE

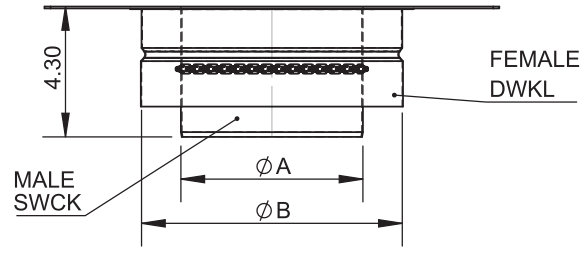
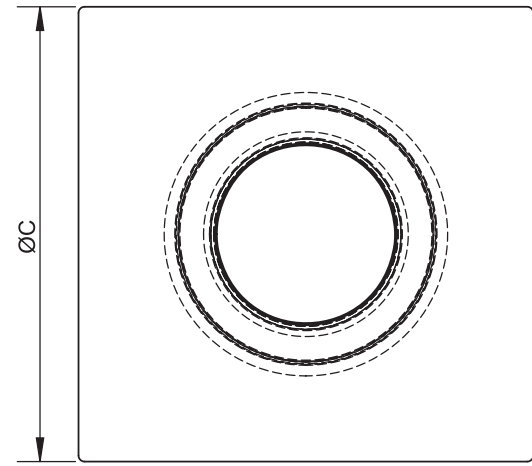
\*INCLUDES 2 LOCKING BANDS

	drawn by	CLS	model	DW-NAKS-CK-RC	code	87BHT	description	DW-NAKS-CKØ-87BHT-RC 87 Degree Bull Head Tee		
--	----------	-----	-------	---------------	------	-------	-------------	--	--	--



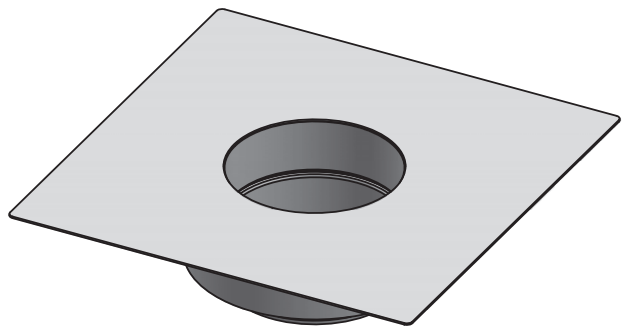
Ø	14	16	18	20
A	14	16	18	20
B	16.5	18.5	20.5	22.5
C	12			
D	16.35	21.3	26.25	31.2
E	7	10	13	16
n	18	18	22	22
lb	17.16	24.29	32.65	41.98

drawn by	JJR	model	DW-NAKS-CK-RC	code	NWHO	description	DW-NAKS-CKØ-NWHO-RC No Weld Hood Adapter Oval - Start
----------	-----	-------	---------------	------	------	-------------	---



Ø	6	7	8	9	10	11	12	13	14	16
A	6	7	8	9	10	11	12	13	14	16
B	8.5	9.5	10.5	11.5	12.5	13.5	14.5	15.5	16.5	18.5
C	29									
lb	17.29	17.47	17.60	17.73	17.82	17.89	17.91	17.93	17.89	17.78

Ø	18	20	22	24	26	28	30	32	34	36	
A	18	20	22	24	26	28	30	32	34	36	
B	20.5	22.5	24.5	26.5	28.5	30.5	32.5	34.5	36.5	38.5	
C	36			42				48			
lb	25.56	25.23	24.75	26.09	33.81	33.18	32.41	41.12	40.11	39.05	



\*INCLUDES 1 LOCKING BAND

drawn by	JJR	model	DW-NAKS-CK-RC	code	FPE	description	DW-NAKS-CKØ-FPE-RC Fan Plate Adapter - End
----------	-----	-------	---------------	------	-----	-------------	--