

Grease Duct Spec

Model:

DW-NAKS-CK-ZC-KIT05

Double Wall 12" with Two Elbows



- 3x J-600 Sealant
- 5x DW-NAKS-CK12-LSB-ZC Light Support Band
- 2x DW-NAKS-CK12-APS-ZC Anchor Plate Support
- 1x DW-NAKS-CK12-18CL-ZC 18" Cut Length
- 7x DW-NAKS-CK12-36L-ZC 36" Fixed Length
- 2x DW-NAKS-CK12-36CL-ZC 36" Cut Length
- 1x DW-NAKS-CK12-IAD-ZC Inline Access Door Length
- 2x DW-NAKS-CK12-87EA-ZC 87 Degree Elbow w/ Access
- 1x DW-NAKS-CK12-NWHA-ZC No-Weld Hood Adapter
- 1x DW-NAKS-CK12-FPE:29x29-ZC Fan Plate Adapter - End



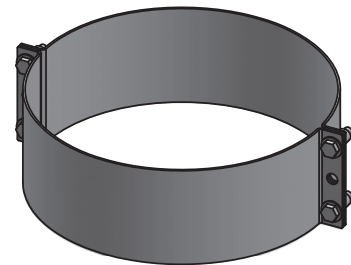
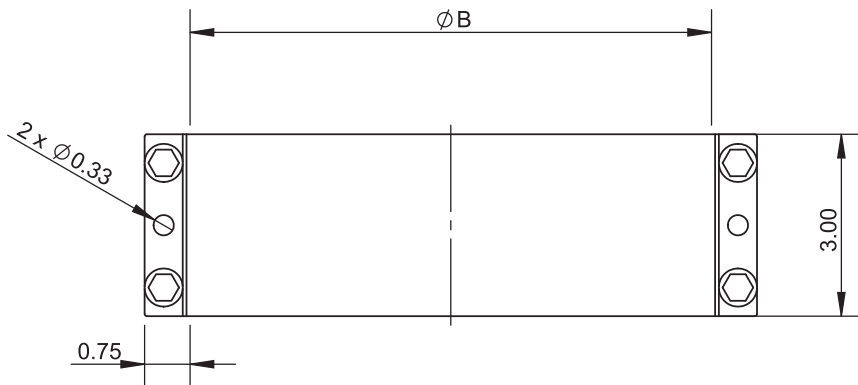


Vent Diameter	Number of Joints Per 10 oz. Tube
3" - 6"	6.7
8" - 10"	6
11" - 12"	5.3
13" - 16"	4.7
18" - 20"	4
22" - 24"	3.3
26" - 28"	2.7
30" - 32"	2
34" - 36"	1.3
38" - 48"	0.7

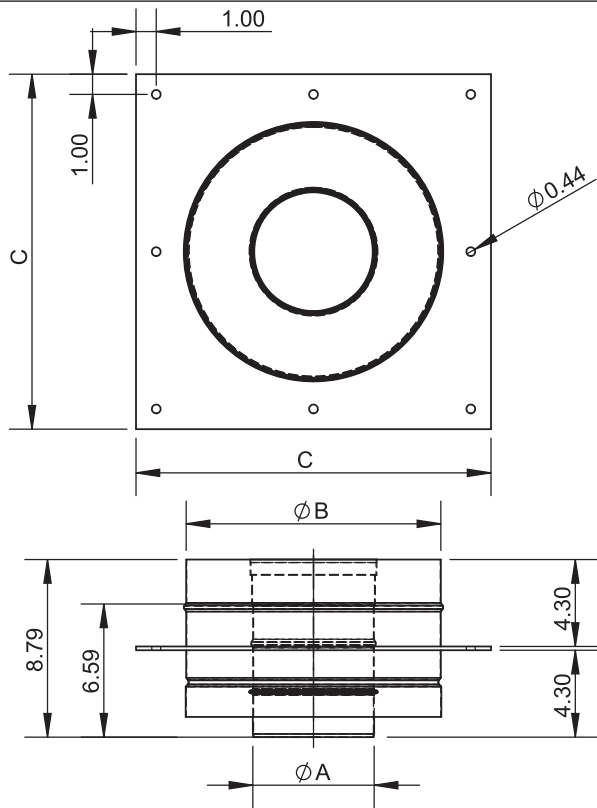
	drawn by	JJR	model	ALL	code	J-600	description	J-600 Sealant
--	----------	-----	-------	-----	------	-------	-------------	---------------

Ø	10	11	12	13	14	16	18	20
B	16.5	17.5	18.5	19.5	20.5	22.5	24.5	26.5
lb	2.90	3.06	3.21	3.37	3.54	3.85	4.16	4.49

Ø	22	24	26	28	30	32	34	36
B	28.5	30.5	32.5	34.5	36.5	38.5	40.5	42.5
lb	4.80	5.13	5.43	5.76	6.07	6.38	6.71	7.02

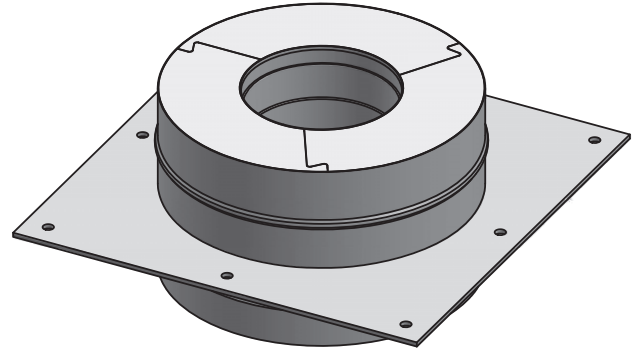


	drawn by	JJR	model	DW-NAKS-CK-ZC	code	LSB	description	DW-NAKS-CKØ-LSB-ZC Light Support Band
--	----------	-----	-------	---------------	------	-----	-------------	---------------------------------------



Ø	6	7	8	9	10	11	12	13	14	16
A	6	7	8	9	10	11	12	13	14	16
B	12.5	13.5	14.5	15.5	16.5	17.5	18.5	19.5	20.5	22.5
C	17.56	18.56	19.56	20.56	21.56	22.56	23.56	24.56	25.56	27.56
lb	24.44	26.82	29.19	31.59	34.03	36.48	38.90	41.38	43.91	49.02

Ø	18	20	22	24	26	28	30	32	34	36
A	18	20	22	24	26	28	30	32	34	36
B	24.5	26.5	28.5	30.5	32.5	34.5	36.5	38.5	40.5	42.5
C	29.56	31.56	33.56	35.56	37.56	39.56	41.56	43.56	45.56	47.56
lb	54.21	59.49	64.86	70.31	75.86	81.49	87.23	93.04	98.93	104.94



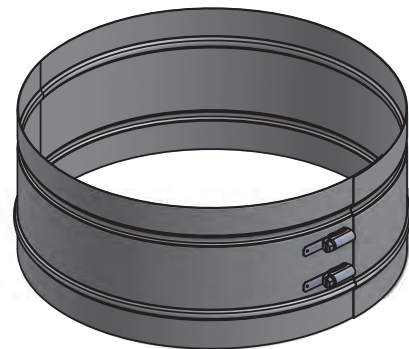
*INCLUDES 1 LOCKING BAND

drawn by	JJR	model	DW-NAKS-CK-ZC	code	APS	description	DW-NAKS-CKØ-APS-ZC Anchor Plate Support			
----------	-----	-------	---------------	------	-----	-------------	---	--	--	--

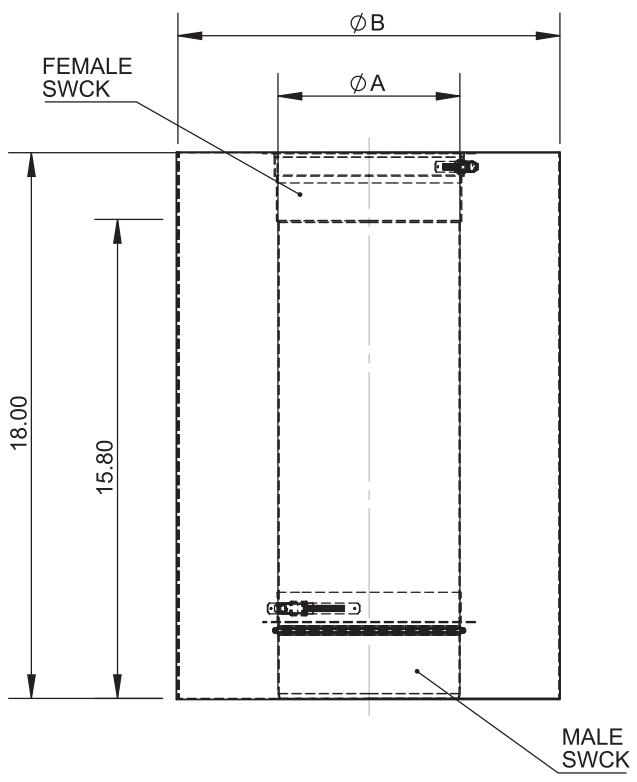


Ø	6	7	8	9	10	11	12	13	14	16
B	12.5	13.5	14.5	15.5	16.5	17.5	18.5	19.5	20.5	22.5
lb	1.76	1.87	2.00	2.13	2.24	2.38	2.51	2.62	2.75	2.99

Ø	18	20	22	24	26	28	30	32	34	36
B	24.5	26.5	28.5	30.5	32.5	34.5	36.5	38.5	40.5	42.5
lb	3.23	3.50	3.74	3.98	4.25	4.49	4.73	4.99	5.24	5.48

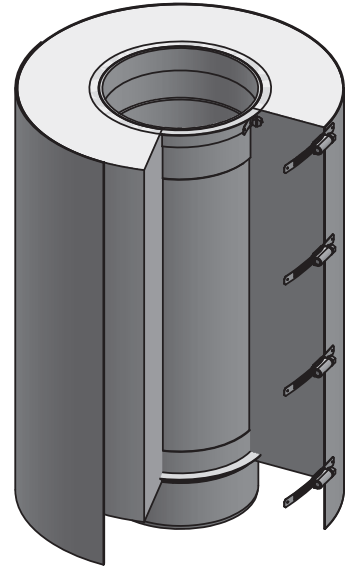


drawn by	JJR	model	DW-NAKS-CK-ZC	code	LB	description	DW-NAKS-CKØ-LB-ZC Locking Band			
----------	-----	-------	---------------	------	----	-------------	--------------------------------	--	--	--



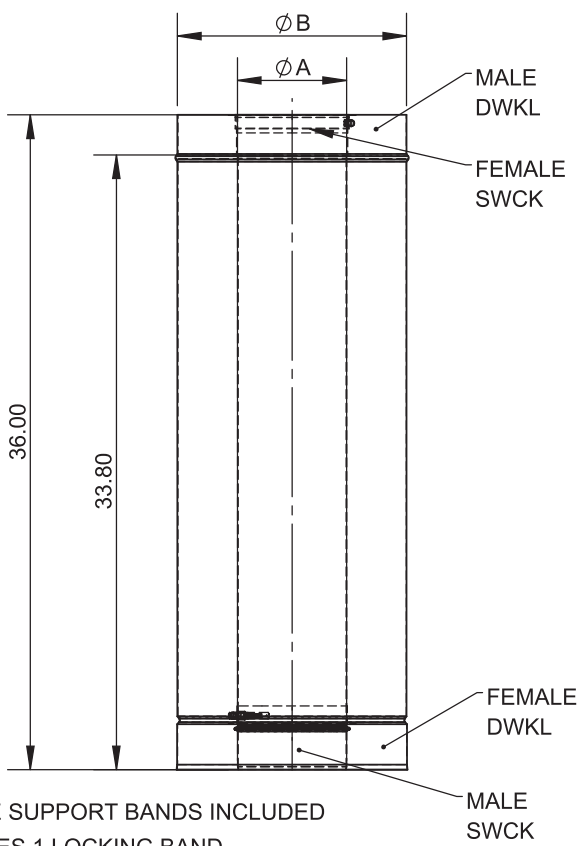
Ø	6	7	8	9	10	11	12	13	14	16
A	6	7	8	9	10	11	12	13	14	16
B	12.5	13.5	14.5	15.5	16.5	17.5	18.5	19.5	20.5	22.5
lb	21.69	23.98	26.27	28.53	30.82	33.11	35.40	37.69	39.97	44.55

Ø	18	20	22	24	26	28	30	32	34	36
A	18	20	22	24	26	28	30	32	34	36
B	24.5	26.5	28.5	30.5	32.5	34.5	36.5	38.5	40.5	42.5
lb	49.13	53.70	58.28	62.85	67.43	71.98	76.56	81.14	85.71	90.29



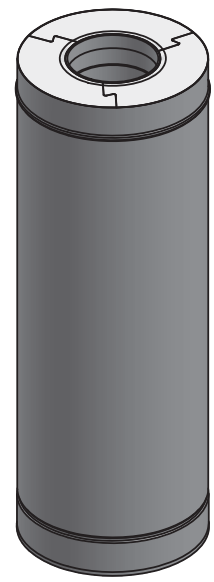
*FLANGE SUPPORT BANDS INCLUDED
*INCLUDES 1 CUT LENGTH LOCKING BAND

drawn by	JJR	model	DW-NAKS-CK-ZC	code	18CL	description	DW-NAKS-CKØ-18CL-ZC 18" Cut Pipe Length			
----------	-----	-------	---------------	------	------	-------------	---	--	--	--



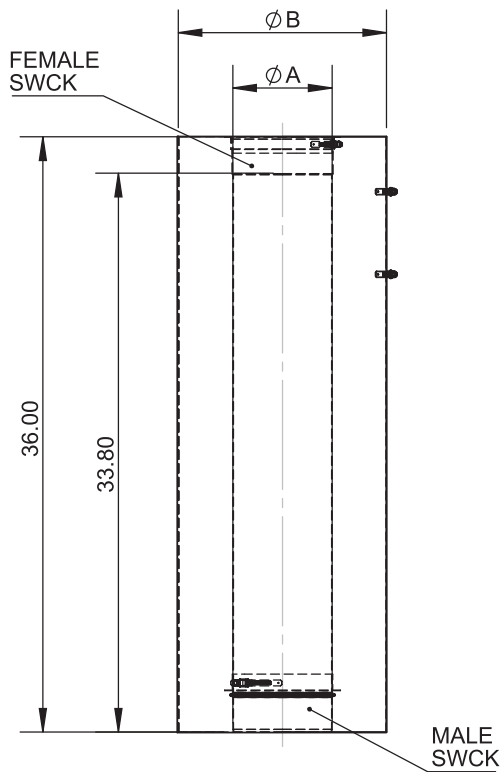
Ø	6	7	8	9	10	11	12	13	14	16
A	6	7	8	9	10	11	12	13	14	16
B	12.5	13.5	14.5	15.5	16.5	17.5	18.5	19.5	20.5	22.5
lb	42.04	46.51	51.00	55.46	59.93	64.42	68.88	73.35	77.84	86.79

Ø	18	20	22	24	26	28	30	32	34	36
A	18	20	22	24	26	28	30	32	34	36
B	24.5	26.5	28.5	30.5	32.5	34.5	36.5	38.5	40.5	42.5
lb	95.74	104.68	113.63	122.58	131.54	140.47	149.42	158.38	167.33	176.26



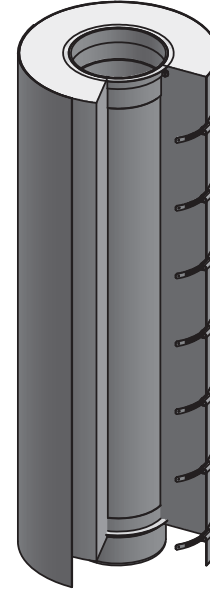
*FLANGE SUPPORT BANDS INCLUDED
*INCLUDES 1 LOCKING BAND

drawn by	JJR	model	DW-NAKS-CK-ZC	code	36L	description	DW-NAKS-CKØ-36L-ZC 36" Fixed Length			
----------	-----	-------	---------------	------	-----	-------------	-------------------------------------	--	--	--



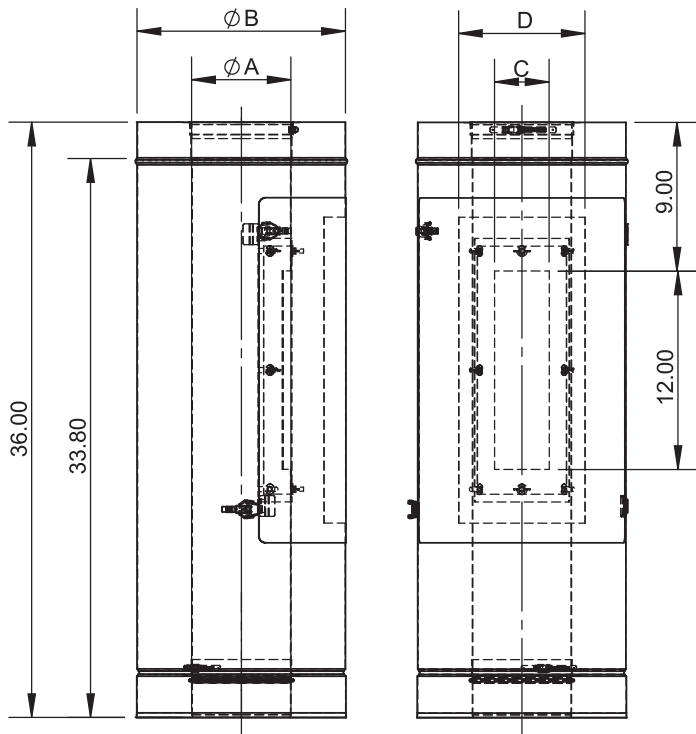
Ø	6	7	8	9	10	11	12	13	14	16
A	6	7	8	9	10	11	12	13	14	16
B	12.5	13.5	14.5	15.5	16.5	17.5	18.5	19.5	20.5	22.5
lb	42.04	46.51	51.00	55.46	59.93	64.42	68.88	73.35	77.84	86.79

Ø	18	20	22	24	26	28	30	32	34	36
A	18	20	22	24	26	28	30	32	34	36
B	24.5	26.5	28.5	30.5	32.5	34.5	36.5	38.5	40.5	42.5
lb	95.74	104.68	113.63	122.58	131.54	140.47	149.42	158.38	167.33	176.26



*FLANGE SUPPORT BANDS INCLUDED
 *INCLUDES 1 CUT LENGTH LOCKING BAND

drawn by	model	code	description
JJR	DW-NAKS-CK-ZC	36CL	DW-NAKS-CKØ-36CL-ZC 36" Cut Pipe Length



Ø	6	7	8	9	10	11	12	13	14	16
A	6	7	8	9	10	11	12	13	14	16
B	12.5	13.5	14.5	15.5	16.5	17.5	18.5	19.5	20.5	22.5
C	3.3	3.3	3.4	3.4	5.5	5.5	5.5	5.5	5.7	5.7
D	7.65	7.99	8.24	8.43	10.22	10.45	10.7	10.85	10.98	11.19
lb	45.21	49.50	53.86	58.19	62.99	67.34	71.70	76.10	80.54	89.39

Ø	18	20	22	24	26	28	30	32	34	36
A	18	20	22	24	26	28	30	32	34	36
B	24.5	26.5	28.5	30.5	32.5	34.5	36.5	38.5	40.5	42.5
C	5.8	8.7	8.8	8.8	10.7	10.8	10.8	13.7	13.8	13.8
D	11.34	13.92	14.09	14.22	15.86	16.08	17.46	19.3	19.42	20.13
lb	98.25	107.47	116.36	125.25	134.35	143.26	152.24	161.39	170.30	179.23

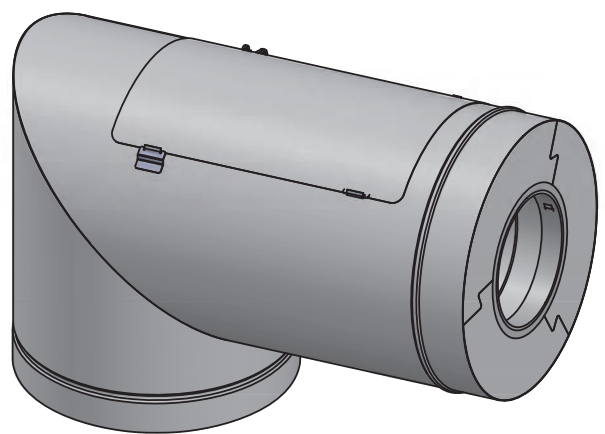
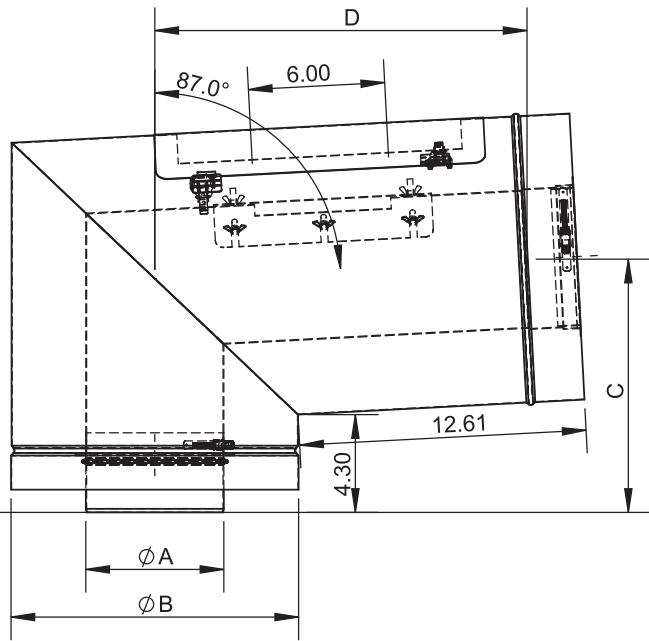


*FLANGE SUPPORT BANDS INCLUDED
 *INCLUDES 1 LOCKING BANDS

drawn by	model	code	description
JJR	DW-NAKS-CK-ZC	IAD	DW-NAKS-CKØ-IAD-ZC Inline Access Door Length

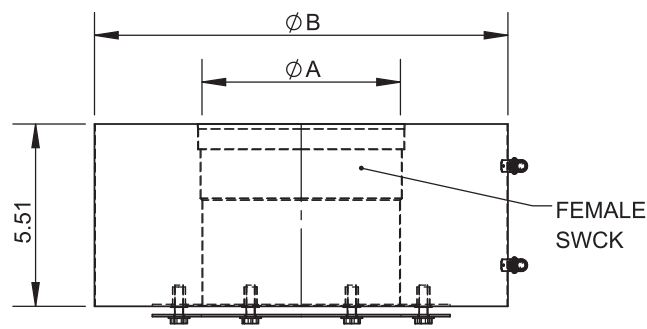
Ø	6	7	8	9	10	11	12	13	14	16
A	6	7	8	9	10	11	12	13	14	16
B	12.5	13.5	14.5	15.5	16.5	17.5	18.5	19.5	20.5	22.5
C	11.14	11.64	12.14	12.64	13.14	13.64	14.14	14.64	15.14	16.13
D	16.37	16.85	17.32	17.79	18.27	18.74	19.22	19.69	20.16	21.11
lb	33.70	38.32	43.19	48.25	53.66	59.18	64.90	70.86	77.04	90.09

Ø	18	20	22	24	26	28	30	32	34	36
A	18	20	22	24	26	28	30	32	34	36
B	24.5	26.5	28.5	30.5	32.5	34.5	36.5	38.5	40.5	42.5
C	17.13	18.13	19.13	20.13	21.13	22.13	23.12	24.12	25.12	26.12
D	22.06	23.01	23.95	24.9	25.85	26.8	27.74	28.69	29.64	30.59
lb	103.99	118.98	134.68	151.29	168.89	187.29	206.58	226.91	247.96	269.94

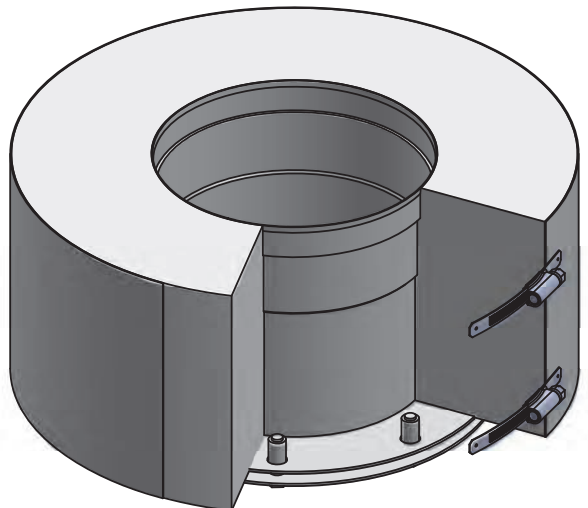
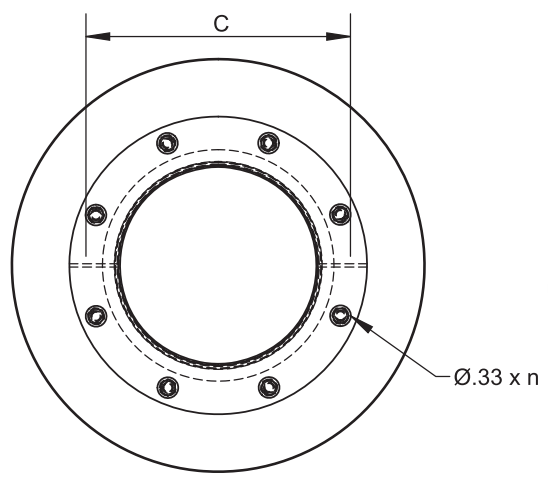


*FLANGE SUPPORT BANDS INCLUDED
*INCLUDES 1 LOCKING BAND

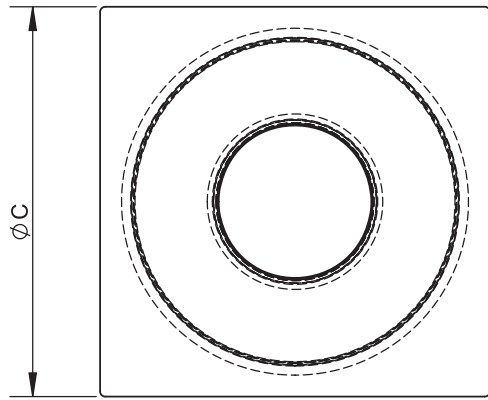
drawn by	JJR	model	DW-NAKS-CK-ZC	code	87EA	description	DW-NAKS-CKØ-87EA-ZC 87 Degree Elbow w/ Access			
----------	-----	-------	---------------	------	------	-------------	---	--	--	--



Ø	6	7	8	9	10	11	12			
A	6	7	8	9	10	11	12			
B	12.5	13.5	14.5	15.5	16.5	17.5	18.5			
C	8.07	9.07	10.07	11.07	12.07	13.07	14.07			
n	8			10			12			
lb	7.28	8.07	8.87	9.72	10.52	11.40	12.19			

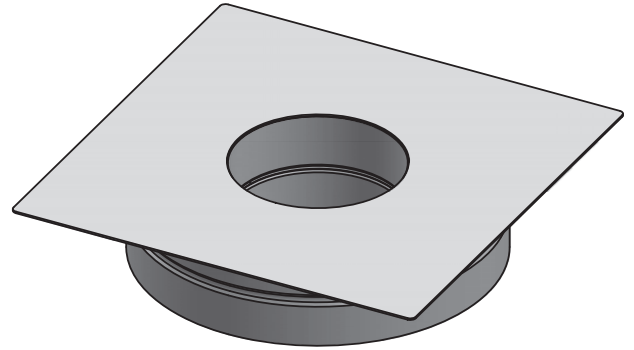
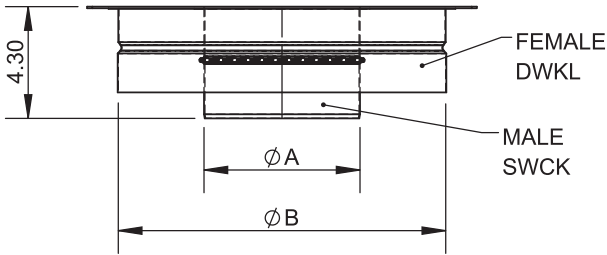


drawn by	JJR	model	DW-NAKS-CK-ZC	code	NWHA	description	DW-NAKS-CKØ-NWHA-ZC No Weld Hood Adapter - Start			
----------	-----	-------	---------------	------	------	-------------	--	--	--	--



ϕ	6	7	8	9	10	11	12	13	14	16
A	6	7	8	9	10	11	12	13	14	16
B	12.5	13.5	14.5	15.5	16.5	17.5	18.5	19.5	20.5	22.5
C	29									
lb	19.62	19.95	20.24	20.53	20.77	20.99	21.19	21.34	21.47	21.67

ϕ	18	20	22	24	26	28	30	32	34	36
A	18	20	22	24	26	28	30	32	34	36
B	24.5	26.5	28.5	30.5	32.5	34.5	36.5	38.5	40.5	42.5
C	36			42				48		
lb	29.79	29.74	29.61	29.35	37.25	36.78	36.19	45.03	44.22	43.30



*INCLUDES 1 LOCKING BAND

drawn by	JJR	model	DW-NAKS-CK-ZC	code	FPE	description	DW-NAKS-CK ϕ -FPE-ZC Fan Plate Adapter - End
----------	-----	-------	---------------	------	-----	-------------	---