

1

2

3

4

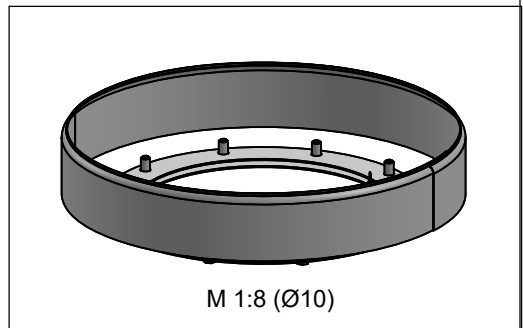
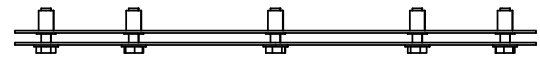
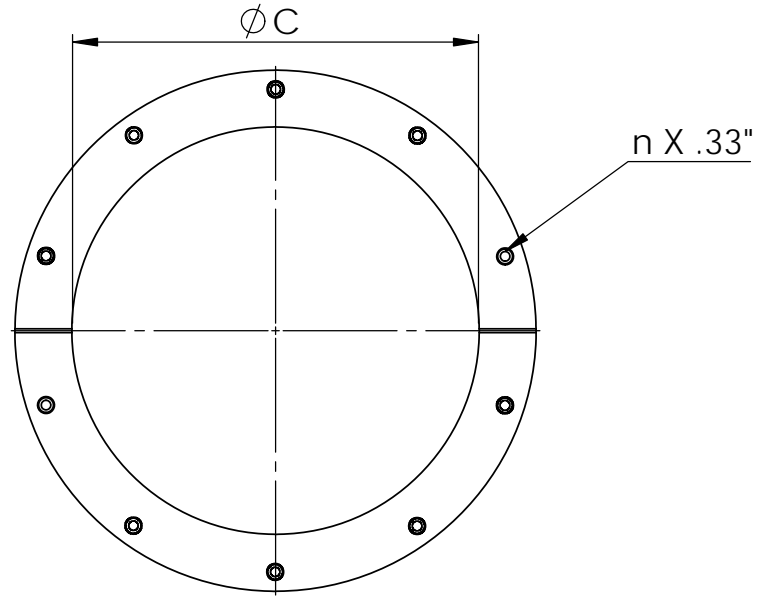
A

B

C


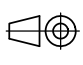
D

E



M 1:8 (Ø10)

\emptyset	10	12
$\emptyset C$	10.5	12.5
n	10	12
lb	3.52	4.06

material: inside/outside	surface: inside/outside	inch / lb			 NORTH AMERICAN KITCHEN SOLUTIONS INCORPORATED	scale
		revisions-no.				description No-Weld Hood Adapter
		date	name	code DWNAKS-RCØ-NWHA	drawing no.	sheet
		drawn by				
		checked by				
		approved by				
		modified by				

© NAKS Inc. All rights reserved, also regarding any disposal, exploitation, editing, distribution, as well as in the event of applications for industrial property rights.