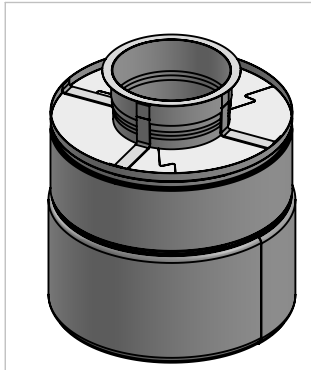
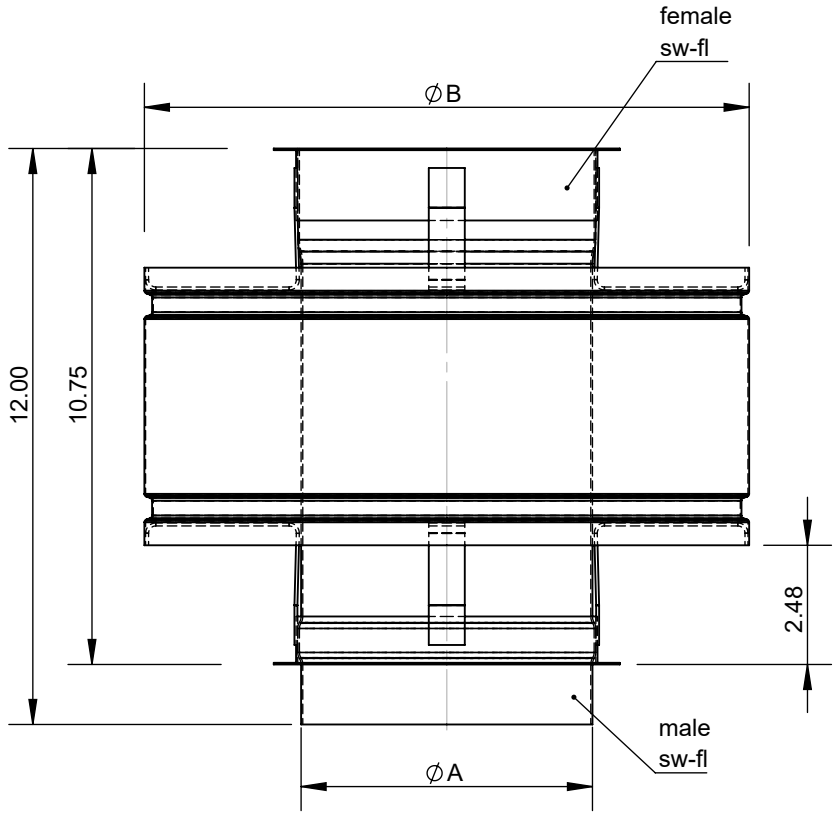



1 2 3 4

A  
B  
C  
D  
E



M 1:10 (Ø6)

Ø	10	12	14	16	18	20	22
A	10	12	14	16	18	20	22
B	12.5	14.5	16.5	18.5	20.5	22.5	24.5
lb	12.48	14.56	16.87	18.96	21.04	23.13	25.21

material: inside/outside	surface: inside/outside	inch / lb			 <b>NORTH AMERICAN KITCHEN SOLUTIONS</b> INCORPORATED	scale	
		revisions-no.				description <b>12" Fixed Length</b>	format US LETTER
		date	name				sheet
		drawn by					code DWNAKS-RCØ-12L
		checked by					drawing no.
approved by							
modified by							



© NAKS Inc. All rights reserved, also regarding any disposal, exploitation, editing, distribution, as well as in the event of applications for industrial property rights.