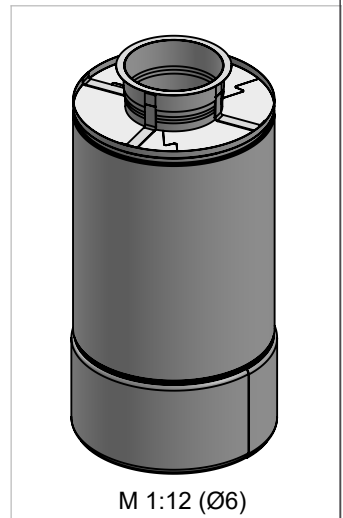
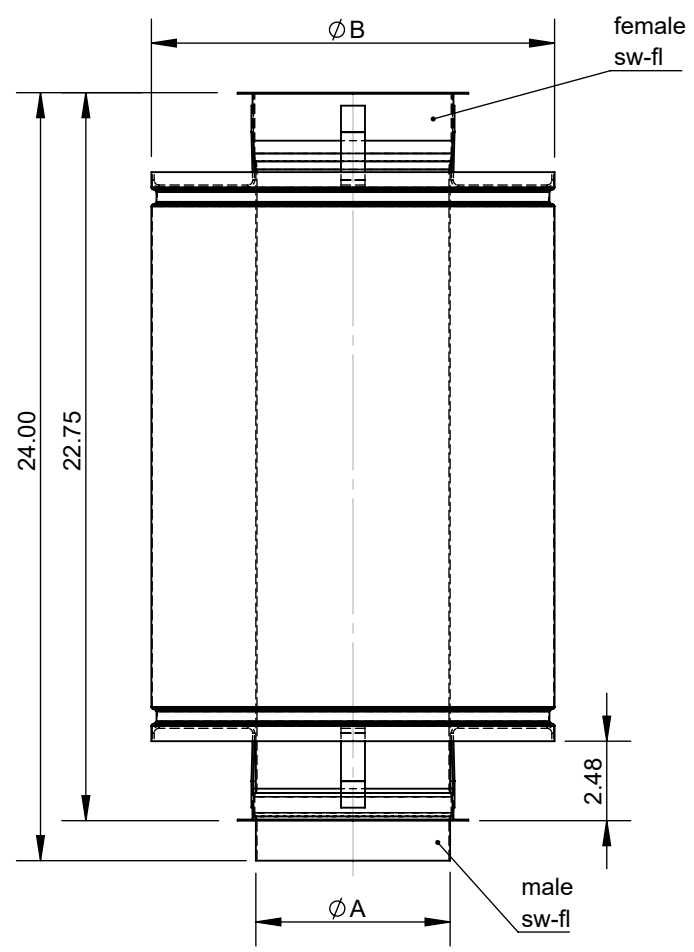



1 2 3 4

A  
B  
C  
D  
E



Ø	10	12	14	16	18	20	22
A	10	12	14	16	18	20	22
B	12.5	14.5	16.5	18.5	20.5	22.5	24.5
lb	18.29	21.51	24.95	28.17	31.39	34.60	37.82

F	material: inside/outside	surface: inside/outside	inch / lb		 <b>NORTH AMERICAN KITCHEN SOLUTIONS</b> INCORPORATED	scale	
			revisions-no.			format US LETTER	
			date	name		description 24" Fixed Length	sheet
			drawn by			code DWNAKS-RCØ-24L	
			checked by			drawing no.	
		approved by					
		modified by					

© NAKS Inc. All rights reserved, also regarding any disposal, exploitation, editing, distribution, as well as in the event of applications for industrial property rights.

