

1

2

3

4

A

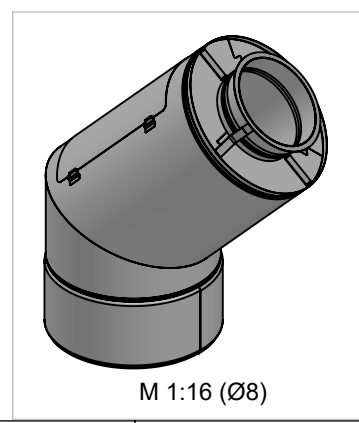
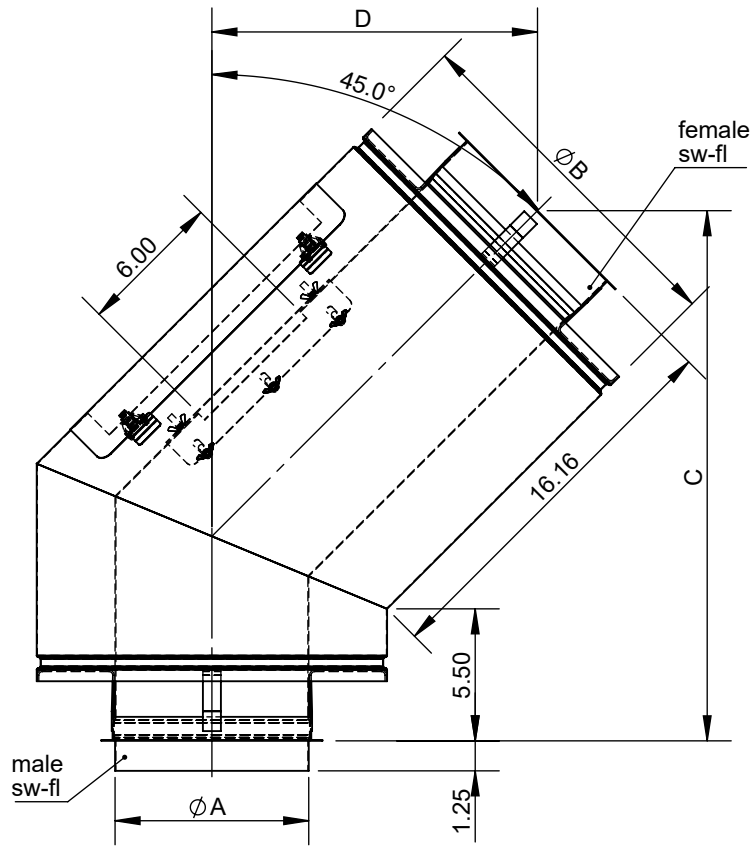
B

C



D

E

F



Ø	10	12	14	16	18	20	22
A	10	12	14	16	18	20	22
B	12.5	14.5	16.5	18.5	20.5	22.5	24.5
C	22.8	23.5	24.22	24.92	25.63	26.34	27.04
D	14.69	14.98	15.27	15.57	15.86	16.15	16.45
lb	46.19	55.75	65.97	76.42	87.28	98.29	110.01

material: inside/outside	surface: inside/outside	inch / lb		 <b>NORTH AMERICAN KITCHEN SOLUTIONS</b> INCORPORATED	scale
		revisions-no.			format US LETTER
		date	name	description <b>45 Degree Elbow w/ Access</b>	sheet
		drawn by			
		checked by			
		approved by			
		modified by		code DWNAKS-RCØ-45EA	
				drawing no.	

© NAKS Inc. All rights reserved, also regarding any disposal, exploitation, editing, distribution, as well as in the event of applications for industrial property rights.