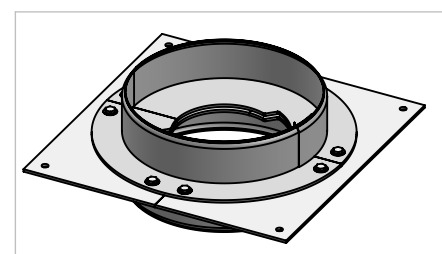
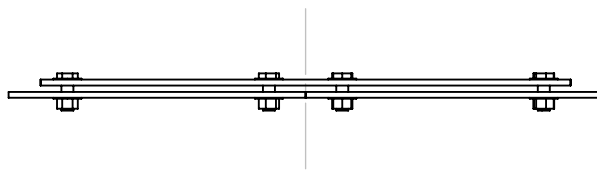
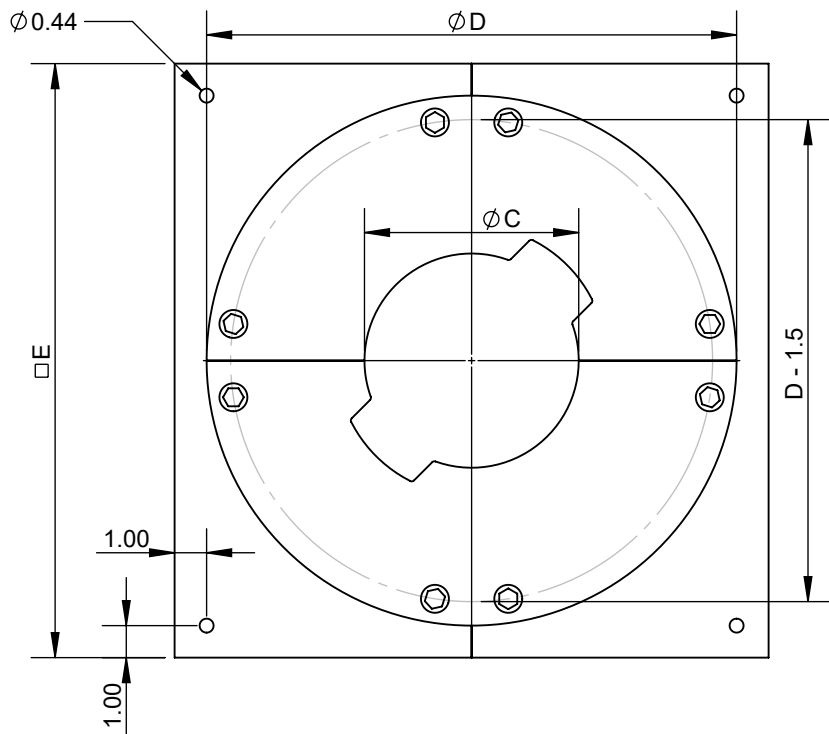



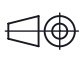
1 2 3 4

A
B
C
D
E



M 1:12 (Ø6)

Ø	10	12	14	16	18	20	22
ØC	10.7	12.7	14.7	16.7	18.7	20.7	22.7
ØD	16.56	18.56	20.56	22.56	24.56	26.56	28.56
□E	18.56	20.56	22.56	24.56	26.56	28.56	30.56
lb	22.51	26.01	29.61	33.29	37.06	40.91	44.86

material: inside/outside	surface: inside/outside	inch / lb			 NORTH AMERICAN KITCHEN SOLUTIONS INCORPORATED	scale		
		revisions-no.				description Plate Support	format US LETTER	
		date	name	code DWNAKS-RCØ-PS			sheet	
		drawn by					drawing no.	
		checked by						
approved by								
modified by								