

1

2

3

4

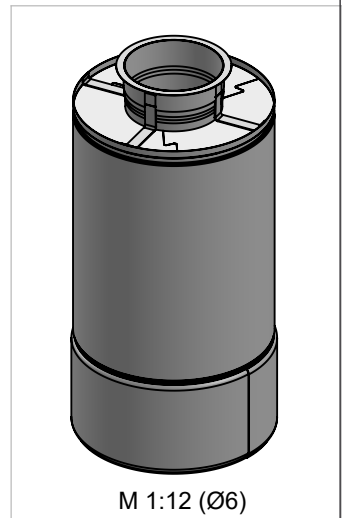
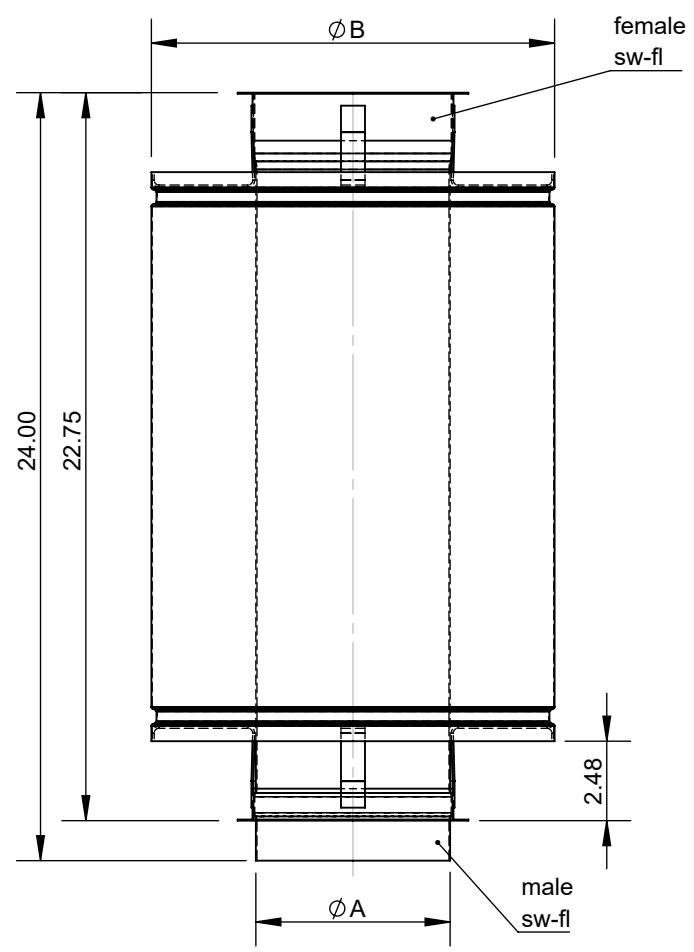
A

B


C

D

E



Ø	10	12	14	16	18	20	22
A	10	12	14	16	18	20	22
B	16.5	18.5	20.5	22.5	24.5	26.5	28.5
lb	38.40	44.12	50.15	55.87	61.59	67.30	77.62

F	material: inside/outside	surface: inside/outside	inch / lb		 NORTH AMERICAN KITCHEN SOLUTIONS INCORPORATED	scale	
			revisions-no.			format US LETTER	
			date	name		description 24" Fixed Length	sheet
			drawn by			code DWNAKSØ-24L	
			checked by			drawing no.	
		approved by					
		modified by					

© NAKS Inc. All rights reserved, also regarding any disposal, exploitation, editing, distribution, as well as in the event of applications for industrial property rights.

