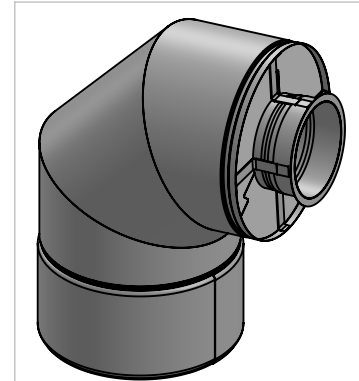
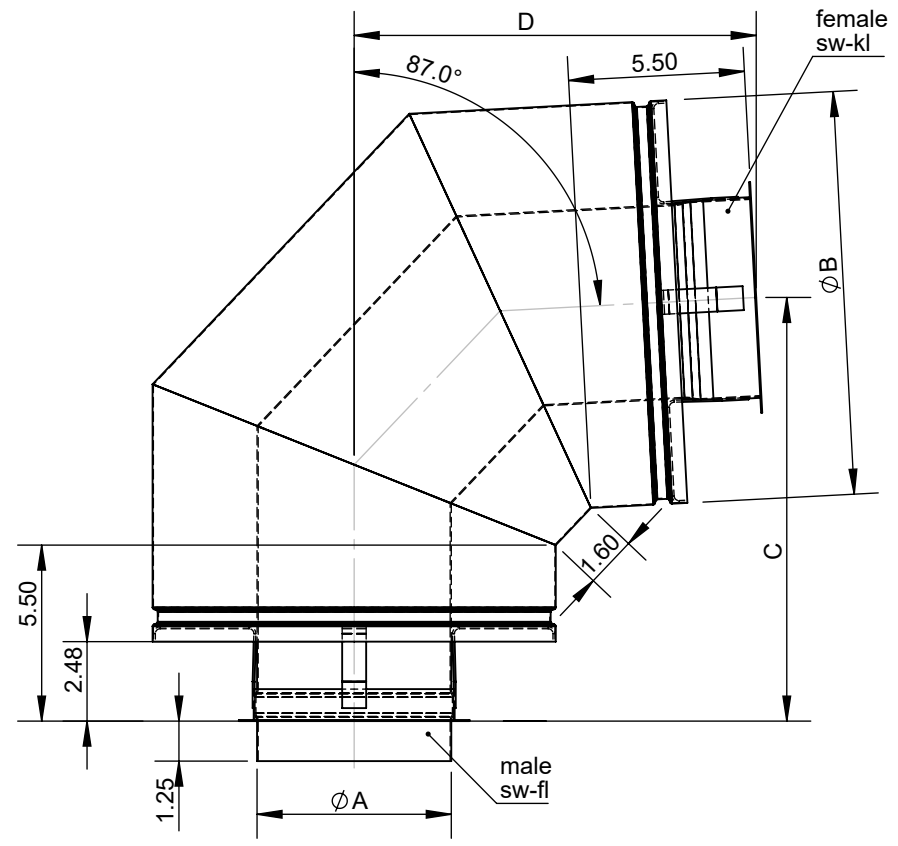


1 2 3 4

A  
B  
C  
D  
E



M 1:10 (Ø6)

<b>Ø</b>	<b>10</b>	<b>12</b>	<b>14</b>	<b>16</b>	<b>18</b>	<b>20</b>	<b>22</b>
<b>A</b>	10	12	14	16	18	20	22
<b>B</b>	16.5	18.5	20.5	22.5	24.5	26.5	28.5
<b>C</b>	15.24	16.24	17.24	18.24	19.24	20.23	21.23
<b>D</b>	14.46	15.41	16.36	17.31	18.25	19.2	20.15
<b>lb</b>	41.54	50.34	64.62	75.56	87.25	99.68	112.87

material: inside/outside	surface: inside/outside	inch / lb			<b>NORTH AMERICAN KITCHEN SOLUTIONS</b> INCORPORATED	scale
		revisions-no.				format US LETTER
			date	name	description <b>87 Degree Elbow</b>	sheet
		drawn by				code DWNAKSØ-87EL
		checked by				
		approved by				
		modified by				
					drawing no.	