

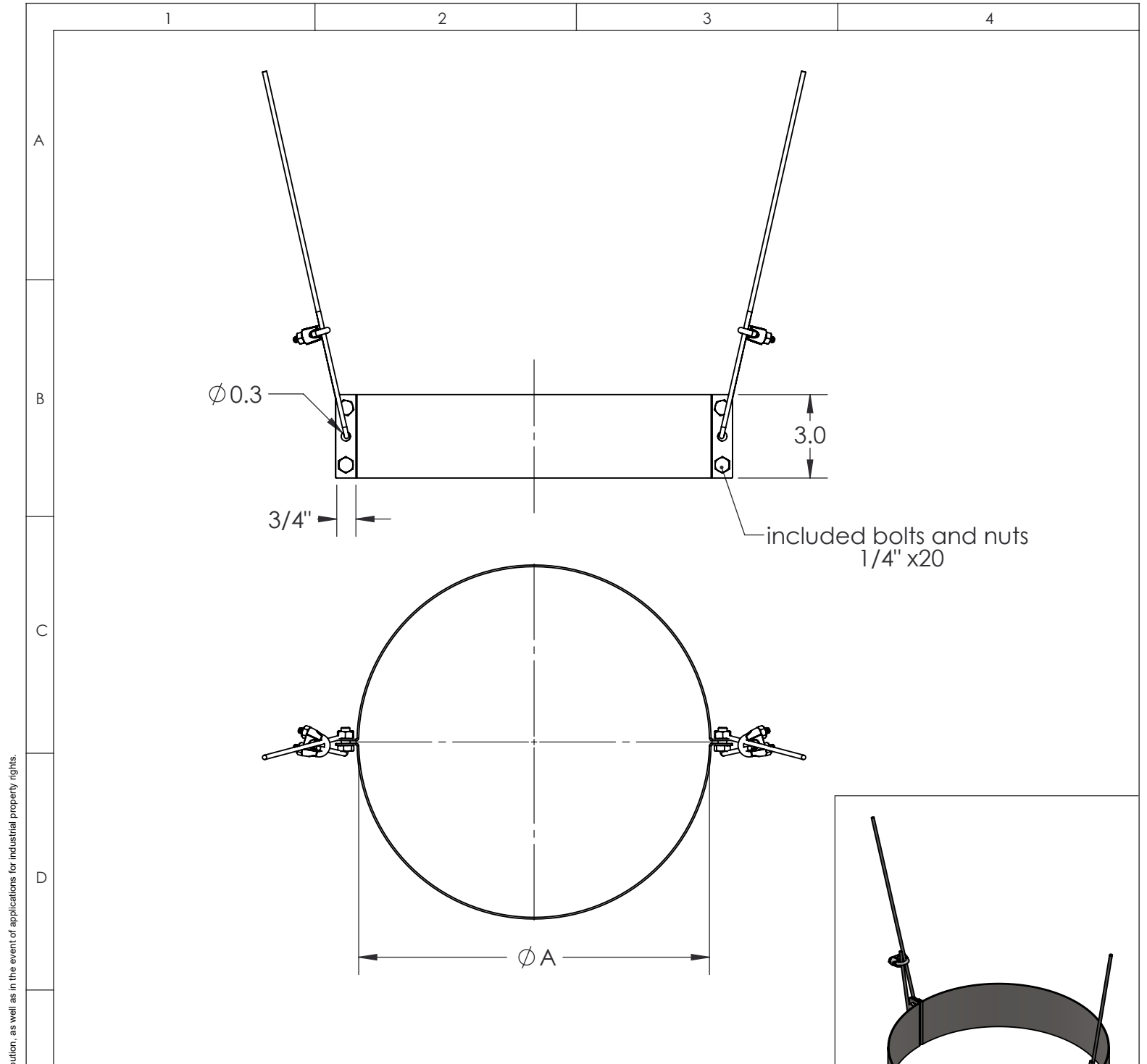


ϕ	10	12	14	16	18	20	22
ϕB	16.5	18.5	20.5	22.5	24.5	26.5	28.5
lb	1.08	1.24	1.40	1.56	1.72	1.89	2.05

material: inside/outside	304	surface: inside/outside	BA	inch / lb		 NORTH AMERICAN KITCHEN SOLUTIONS INCORPORATED	scale
				revisions-no.			format US LETTER
				date	name	description Light Support Band	sheet
				drawn by			code DWNAKSØ-LSB
				checked by			
				approved by			
				modified by		drawing no.	

© NAKS Inc. All rights reserved, also regarding any disposal, exploitation, editing, distribution, as well as in the event of applications for industrial property rights.



Dimension ØB for System DWKL-Rx

Rx+2	Rx+3	Rx+4	Rx+5	Rx+6
ØB+1 1/2	ØB+3 1/2	ØB+5 1/2	ØB+7 1/2	ØB+9 1/2

Ø	03	04	05	06	07	08	09	10	12	14	16	18	20	22	24	26	28	30	32	34	36
ØB	5 9/16	6 9/16	7 9/16	8 9/16	9 9/16	10 9/16	11 9/16	12 9/16	14 9/16	16 9/16	18 9/16	20 9/16	22 9/16	24 9/16	26 9/16	28 9/16	30 9/16	32 9/16	34 9/16	36 9/16	38 9/16



Material inside/outside See "Model & Material detail Specification Sheets"

Description Light Support Band



Date	Name
drawn by 09.04.2014	DCA
checked by	
approved by	
modified by 10.21.2015	KAB
inch / feet	

Code	DWKLØ-LSB
Production code	
Project	
Drawing no.	UL-1012

Scale	
Format	US LETTER
Sheet	1 of 1

© Jeremias GmbH. All rights reserved, also regarding any disposal, exploitation, as well as in the event of applications for industrial property rights.