

1

2

3

4

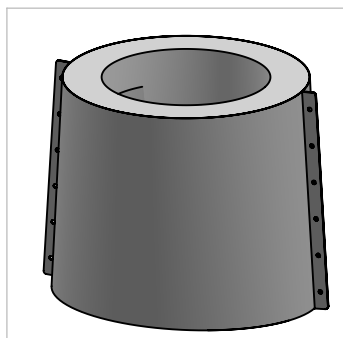
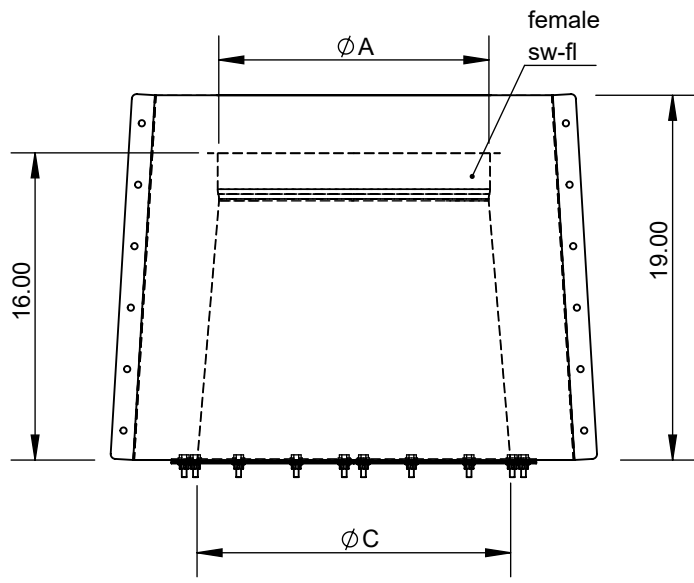
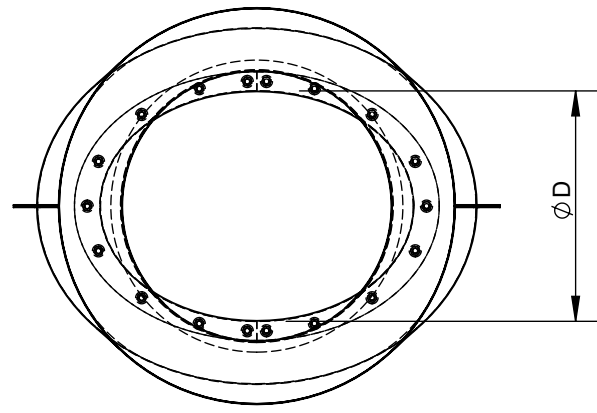
A

B

C



D

E



M 1:16 (Ø14)

ϕ	14	16
A	14	16
C	16.33	21.33
D	12	12
lb	38.24	43.7

material: inside/outside	surface: inside/outside	inch / lb		 NORTH AMERICAN KITCHEN SOLUTIONS INCORPORATED	scale
		revisions-no.			format US LETTER
		date	name	description No Weld Hood Adapter	sheet
		drawn by			code DWNAKS-RCØ-NWHA
		checked by			
		approved by			
		modified by		drawing no.	

© NAKS Inc. All rights reserved, also regarding any disposal, exploitation, editing, distribution, as well as in the event of applications for industrial property rights.