

1 2 3 4

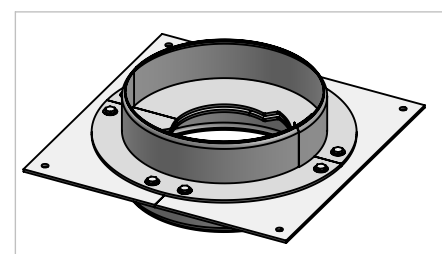
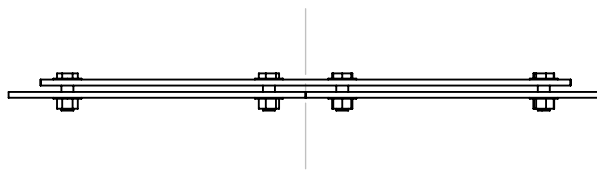
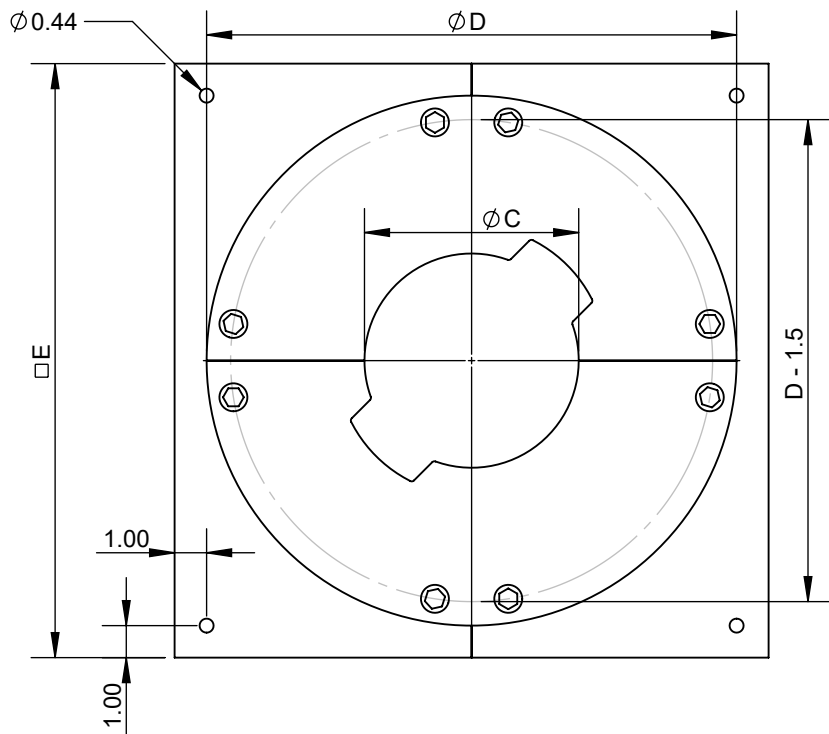
A

B

C


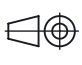
D

E



M 1:12 (Ø6)

\varnothing	10	12	14	16	18	20	22
$\varnothing C$	10.7	12.7	14.7	16.7	18.7	20.7	22.7
$\varnothing D$	20.56	22.56	24.56	26.56	28.56	30.56	32.56
$\square E$	22.56	24.56	26.56	28.56	30.56	32.56	34.56
lb	37.04	41.94	46.92	51.99	57.14	62.39	67.73

material: inside/outside	surface: inside/outside	inch / lb			 NORTH AMERICAN KITCHEN SOLUTIONS INCORPORATED	scale
		revisions-no.				format US LETTER
		date	name	description Plate Support	code DWNAKSØ-PS	sheet
		drawn by				drawing no.
		checked by				
		approved by				
		modified by				

© NAKS Inc. All rights reserved, also regarding any disposal, exploitation, editing, distribution, as well as in the event of applications for industrial property rights.

F