

1

2

3

4

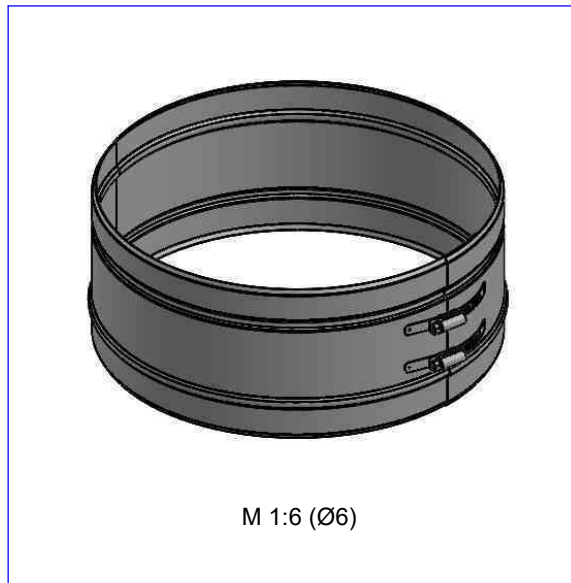
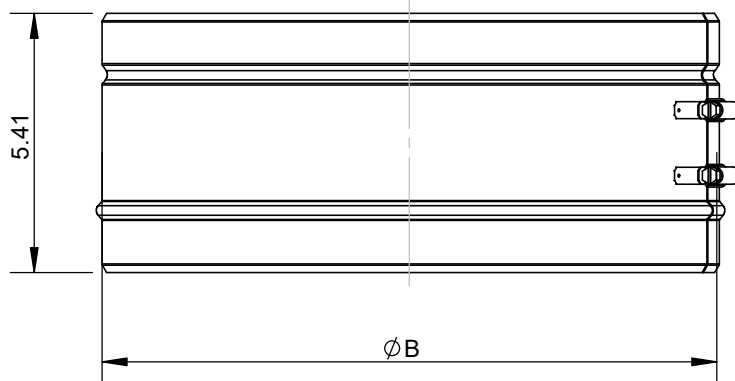
A

B


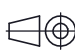
C

D

E



\varnothing	6	7	8	9	10	11	12	13	14	16	18	20	22	24	26	28	30	32	34	36
B	12.5	13.5	14.5	15.5	16.5	17.5	18.5	19.5	20.5	22.5	24.5	26.5	28.5	30.5	32.5	34.5	36.5	38.5	40.5	42.5
lb	1.76	1.87	2.00	2.13	2.24	2.38	2.51	2.62	2.75	2.99	3.23	3.50	3.74	3.98	4.25	4.49	4.73	4.99	5.24	5.48

material: inside/outside	surface: inside/outside	inch / lb		 NORTH AMERICAN KITCHEN SOLUTIONS INCORPORATED	scale	
		revisions-no. R1			1:4	
		date	name		description	format
		drawn by	2022			US LETTER
		checked by				sheet
approved by			1 of 1			
modified by			code			
UL-no.			DW-NAKS-CK \varnothing -LB-ZC			
			drawing no.			