



LET120BEWMC6K - SUBMITTAL

Project Name:	NAKS - Freezer Remote	Project Location:	
Quote ID:		Item #:	5000
Submitted For:	NAKS	Submitted On:	08/12/2019
Submitted By:		Submitted From:	
Identity #:		Tag:	

For Record For Approval By: _____ Date: _____

General Product Information

Product Family:	LET	Motor type	EC
Defrost Type:	Electric	Number of Fans:	3
Voltage: (Volts/Ph/Hz)	208-230/1/60	Fan HorsePower	1/15
Refrigerant Type:	R404A	Fins per Inch	6

Technical Information

Performance Data

Capacity			Air Flow			Altitude (ft)	AWEF Value	
TD (°F)	SST (°F)	Capacity (BTU/H)	CFM	Fan Diameter (ft)	Air Throw (ft)			
				Standard		w/Collar		
10	-20.0	12,000	2,100	12			0	N/A

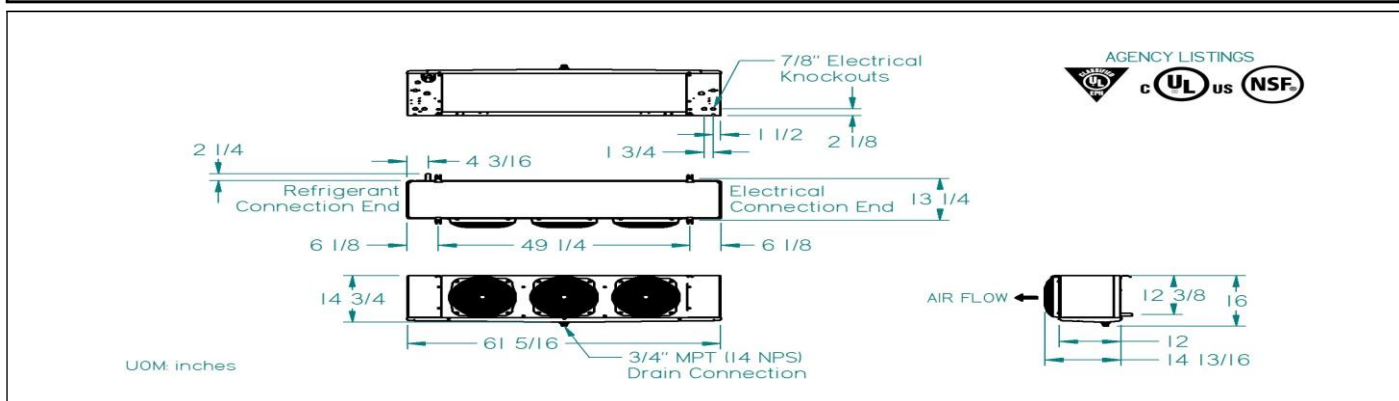
Electrical Data

Fan Motor(s)		Defrost Heater(s)		Drain Pan Heater(s)	
Watts	Amps	Watts	Amps	Watts	Amps
177	1.5	2,700	11.7		

Unit Specifications

Connections (in.)						Approx. Net Weight (lbs)
Coil Inlet	Suction	External Equalizer	Drain	Side Port	Hot Gas Drain Pan	
1/2	7/8	1/4	3/4			60

Dimensional Drawing(s)





LET120BEWMC6K - SUBMITTAL

Project Name:	NAKS - Freezer Remote	Project Location:	
Quote ID:		Item #:	5000
Submitted For:	NAKS	Submitted On:	08/12/2019
Submitted By:		Submitted From:	
Identity #:		Tag:	

Standard Features

EASE OF INSTALLATION & SERVICE

- ALL ELECTRICAL COMPONENTS FACTORY WIRED TO TERMINAL BOARD AND IDENTIFIED, MAKING IT EASY TO FIELD WIRE THE UNIT
- CABINET DESIGN FEATURES FRONT ACCESS PANELS ON EACH SIDE FOR EASY ACCESS TO ELECTRICAL AND REFRIGERATION COMPONENTS
- COIL HEATER SLOTS HAVE BEEN ENLARGED FOR EASIER INSTALLATION AND REPLACEMENT
- LIQUID LINE SOLENOID WIRE HARNESS IS FACTORY-INSTALLED FOR QUICK INSTALLATION
- MOTORS PLUG INTO WIRING HARNESS FOR EASIER SERVICING
- ON 4-6 FAN MODELS, DRAIN PAN HAS A LANYARD FOR EASY AND SAFE ACCESS
- PRE-DRILLED HOLES ON THE BACK OF THE UNIT FOR ROOM THERMOSTAT

RELIABLE & DURABLE

- HEAVY GAUGE GRAINED ALUMINUM CABINET CLEANS EASILY AND LOOKS ATTRACTIVE
- MOLDED FAN GUARD DESIGN MADE OF STRONG PLASTIC MATERIAL
- SWEAT CONNECTIONS TO REDUCE POTENTIAL FOR LEAKS

PERFORMANCE

- EXTENDED DRAIN PAN HEATERS FOR MORE UNIFORM DEFROST THROUGHOUT THE DRAIN PAN AND ADDITIONAL HEAT IN END COMPARTMENTS
- FIXED DEFROST TERMINATION FOR ELECTRIC
- INTERNAL PANELS ARE ISOLATED FOR QUIET OPERATION
- INTERNALLY ENHANCED TUBING AND FIN DESIGN FOR HIGHER EFFICIENCY
- REDUCED HEATER WATTAGES

VERSATILE

- LARGE DIAMETER DRAIN HOLE (3/4" ID) IS LOCATED ON THE BACK OF THE UNIT
- MINIMAL HEIGHT OF THE LOW PROFILE SERIES MAKES IT IDEAL FOR LOW CEILING COOLERS

Options

Mounted Options

- Variant condition - null
- COIL COATING - ALUMINUM
- CONTROLS - NONE
- VOLTAGE ASSEMBLY SELECTION - 230V EC
- CARTON OPTIONS - STANDARD CARTON
- FAN GUARD SELECTION - BOHN PLASTIC GUARD
- ELECTRICAL OPTIONS - FRNT ACC WTR T'STAT 230V W/MTD
- COIL SELECTION - MOUNTED TXV & SOL
- COIL MECHANICAL OPTION - LLSV AND TXV
- NAMEBRAND SELECTION - BOHN
- FAN BLADE SELECTION - STANDARD FAN BLADE
- DEFROST TERMINATION FAN DELAY - STANDARD
- NOZZLE SELECTIONS - NOZZLE INSTALLED

Minimum Unit Clearances

