

# GREEN SERIES - PREMIUM EFFICIENCY UPBLAST DIRECT DRIVE FANS

Ideal for exhausting air from kitchens, restaurants, offices, warehouses or commercial buildings. The EC series spun aluminum exhaust fan can be used as either a roof top or wall mount exhaust fan.

For Performance Specifications please see next page.

**FEATURING PERFECT SPEED EC  
MOTORS - UP TO 82% EFFICIENCY**

**ENERGY SAVINGS OF UP TO 70%  
OVER REGULAR DUTY PSC MOTORS**



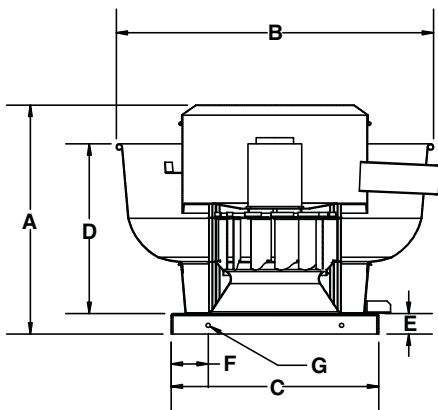
## FEATURES

- Spun aluminum housing will not rust, chip or peel.
- Aluminum backward inclined wheel is non-overloading.
- Available with EC motors
- All motors are 1 Phase 120/240V operation and can be operated at 50 or 60 Hz.
- All units can be wall mounted.
- Quick release latches for easy motor access

- EC motors offer true variable speed operation and up to 70% energy savings over PSC motors.
- On-board speed adjustment allows simple setup and balancing with LED display.
- Can be controlled remotely up to 50' using a remote mount potentiometer or 0-10V.

## DIMENSIONS

MODEL	DIMENSIONS (INCHES)								Net Weight (lbs)	UL762 Curb Height	Curb OD Dimension sq	
	A	B	C	D	E	F	G Ø	Wheel Diameter				Roof Opening
EC20	19.00	25.00	19.00	13.00	1.50	3.50	0.38	12.25	15.00	37	27"	17.5"
EC28	23.13	32.13	21.00	17.13	2.00	3.75	0.44	15.00	17.00	58	23"	19.5"
EC36	31.75	37.50	28.00	21.13	2.00	4.00	0.44	18.25	20.75	116	18"	26.5"
EC48	36.25	43.75	33.13	25.50	2.50	4.00	0.44	21.00	29.00	178	18"	31.5"



## OPTIONS

- Wall mount bracket (for all sizes up to EC48)
- Grease collection box (required for UL762)
- Curb hinge
- Disconnect switches
- Roof Curbs
- Remote mount potentiometer



UL762 certified, refer to next page for all installation requirements



NAKS certifies that the EC Series shown herein are licensed to bear the AMCA Seal. The ratings shown are based on tests and procedures performed in accordance with AMCA Publications 211 & 311 and comply with the requirements of the AMCA Certified Ratings Programme.

# GREEN SERIES - PREMIUM EFFICIENCY UPBLAST DIRECT DRIVE FANS



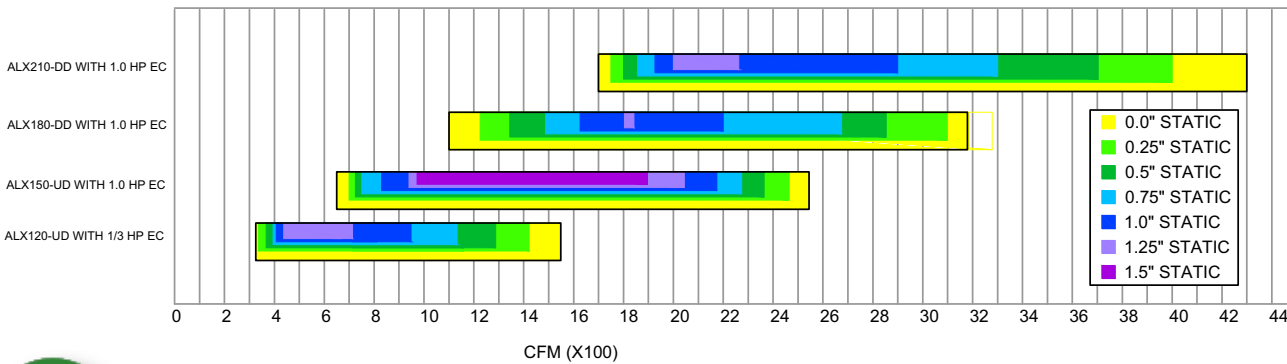
## PERFORMANCE SPECIFICATIONS & CFM RATINGS

Model	MOTOR			AIRFLOW (CFM) @ STATIC PRESSURE															
	HP	VARIABLE SPEED	MAX. RPM	0.0"		.25"		.5"		Sones @ .5"SP		.75"		1.00"		1.25"		1.5"	
				High	Low	High	Low	High	Low	High	Low	High	Low	High	Low	High	Low	High	Low
EC20	1/2	Y	1800	1548	325	1422	336	1282	367	16.4	5.7	1133	395	947	408	633	438	-	-
EC28	1	Y	1700	2544	647	2462	643	2361	732	31	9.1	2276	680	2173	830	2050	940	1896	972
EC36	1	Y	1200	3400	1100	3200	1225	3000	1350	22	9.4	2700	1475	2400	1625	2025	1750	-	-
EC48	1	Y	900	4300	1700	4000	1750	3725	1800	16.7	8.3	3400	1850	2900	1950	2200	2025	-	-

Minimum motor speed 425 RPM (EC Models)

EC motors can be controlled using the built in potentiometer on motor or by using a 0 to 10 V controller, or by a remote potentiometer.

## ALX UPBLAST SERIES AIRFLOW RANGE WITH EC MOTORS



# UL762 LISTED PRODUCTS AND REQUIREMENTS

(Kitchen Exhaust)

## WHAT IS UL762?

Power ventilators for kitchen and restaurant exhaust appliances covered by these requirements are intended for installation in accordance with the Standard of the National Fire Protection Association for the Installation of Equipment for the Removal of Smoke and Grease-Laden Vapors from Commercial Cooking Equipment, NFPA 96.

## UL762 LISTED PRODUCTS

### EC SERIES



## REQUIREMENTS

REQUIREMENT	DC/EC/BC SERIES	
	STANDARD	ACCESSORY
Designed for removal of smoke and/or grease laden air	●	
Air temperatures up to 300°F	●	
Access for cleanout	●	
Grease drain	●	
Grease collection box		●
Minimum 500 FPM airflow in duct**	●	
Vented roof curb extending discharge minimum 40" above roofline		●
Curb hinge		●

Units must be mounted to extend outlet minimum 40" above roofline  
\*\* based on standard NAKS configurations with Motors and Drives