

INSTRUCTION MANUAL

Ovens

VH-30 • VH-50



VH-30
Ventless Hood
Single Deck Oven
Combo
with optional stand



VH-50
Ventless Hood
Two Deck Oven
Combo



IF REPLACEMENTS PARTS ARE NEEDED,
be sure to give the model number when ordering, including prefix and suffix letters.

PLEASE RETAIN THIS MANUAL FOR FUTURE REFERENCE

Model # _____ Serial # _____

TABLE OF CONTENTS

Congratulations	1
Set Up Instructions (all models).	2
VH Series Operation Instructions	3
Ventless System Install	4
VH Series Troubleshooting Guide	5
VH Series Suggested Maintenance.	6
VH Series Parts Replacements Instructions	7
VH 30 Parts List.	8
VH 50 Parts List.	9
DTB Temperature Controller	10-11
Wiring Diagram VH30 Single Phase	12
Wiring Diagram VH30 Three Phase	13
Wiring Diagram VH50 Single Phase	14
Wiring Diagram VH50 Three Phase	15
Terms And Conditions of Sale	16-18
Limited Warranty	19-20

Congratulations on your selection of this piece of cooking equipment. Over the years we have developed what we consider to be the finest equipment on the market today.

Please read these instructions before attempting installation. Set up and start up should be performed by a qualified service professional, electrician and someone considered a professional in the installation of such equipment or all the terms and conditions in our Limited Warranty will be rendered void. If in doubt, call Ian at 1.419.625.4514 for the nearest Service Agency.

Retain this manual for future use.



FOR YOUR SAFETY

Do not store or use gasoline or other flammable vapors or liquids in the vicinity of this or any other appliance.



WARNING

Improper installation, adjustment, alteration, service or maintenance can cause property damage, injury or death. Read the installation, operating and maintenance instructions thoroughly before installing or servicing this equipment.

SET UP INSTRUCTIONS (All Floor Model Ovens)

1. Uncrate Oven

Check to be sure owners manual, handles and legs and brackets (required for stacked units) are packed inside. Check unit for possible damage during transit. Notify us immediately if any damage is found.

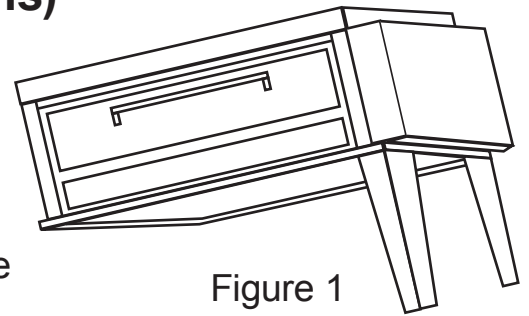


Figure 1

2. Place oven in its permanent location.

Level unit using the adjustable legs provided.

3. Leg Installation

Mount legs on the side of the unit while blocked, (refer to Figure 1). NOTE: Ovens can be lightened by removing shelves and baffles, if desired. Each leg has four mounting bolts, packed inside oven. After completing Step 1, proceed to the other two legs. (refer to Figure 2)

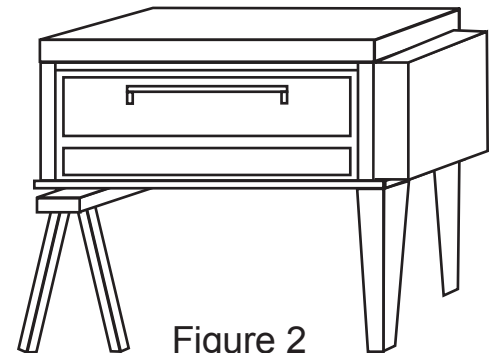


Figure 2

4. For double or triple stacks

Locate the stacking brackets and legs with each unit.



5. Minimum Clearance

6" from sides and rear from combustible and non-combustible construction.

ELECTRICAL HOOK-UP

1. With oven in place, have a qualified electrician permanently wire unit.
2. Each unit comes with calrod elements. Check rating plate for amperage load to determine wire size for proper installation.
3. Counter models can be 120V or 220V. Floor models are 220V, single (standard) or three phase (optional).
4. Access to hook-up is located on the back cover. Remove top portion to reveal terminal block for hook-up.
5. Be sure to use a separate case ground.

VH SERIES OPERATING INSTRUCTIONS

BURN OFF

Please note: For the first hour of operation the “burn off” will occur. The unit will smoke considerably during this period. Burn off is oil residue and insulation break in. Allow for good ventilation during this time. There is no danger if you follow these directions and proceed with care and caution.

1. Turn on toggle switch

2. Set controller for desired temperature

Industrial 0 to 500 degrees

Bake 0 to 550 degrees

Pizza 0 to 650 degrees

* Press ENTER when setting or changing temperature

3. Allow at least one (1) hour for preheat. A longer preheat is better for complete stabilization of your unit.

4. VH30 and VH50 Models

Your oven is equipped with a variable power control for the top deck only. Set controller for desired temperature and adjust the top to balance top and bottom decks as needed.

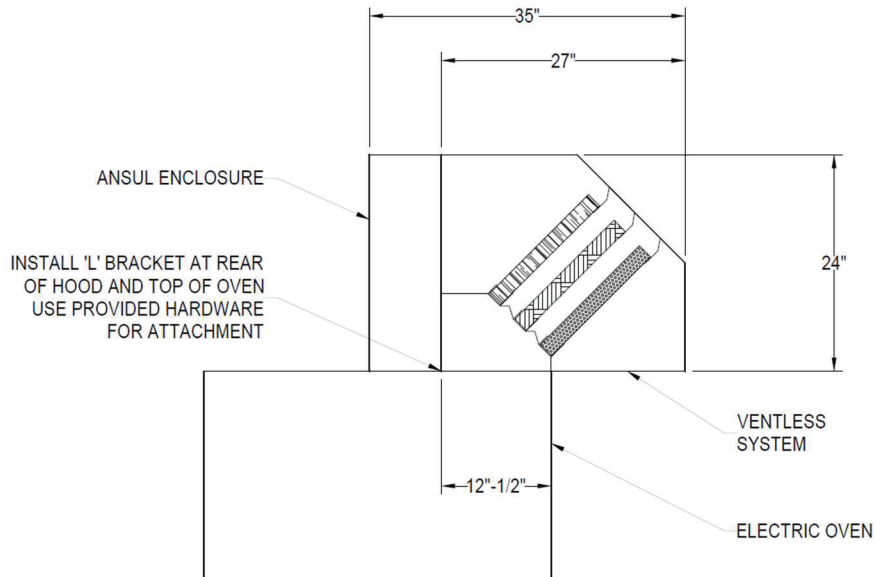
5. To learn how to use this feature, start by setting the top heat control at 10 and reduce to balance.

6. Turn off toggle to shut down unit. Cooling fan may run until a safe controller temperature is reached. It will then shut down automatically.

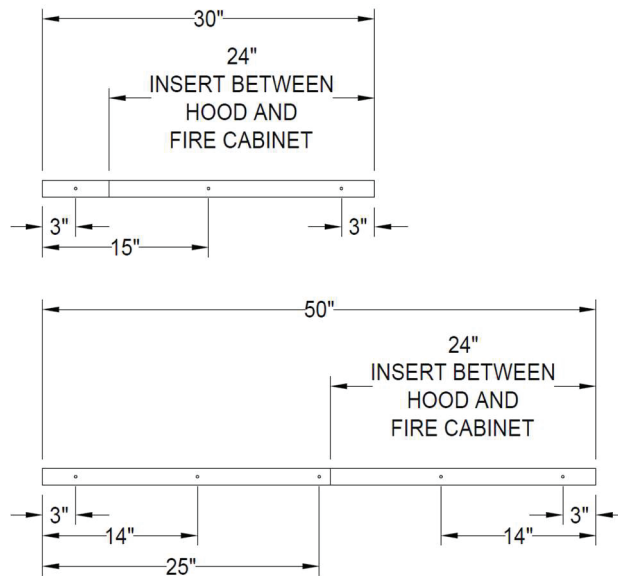
VENTLESS SYSTEM INSTALL

The Ventless System is used to allow the oven to be used as a Ventless Assembly under UL-710B

- In accordance with the system's listing, the hood system is to be mounted as follows:



- Bracket and hardware locations:



VH SERIES TROUBLESHOOTING GUIDE

PROBLEM	CAUSE	REMEDY
Unit on, but will not heat	One or more elements not working	Replace bad elements
	Loss of one or more legs of power source	Call electrician to restore power
	Bad solid state relay (SSR)	Replace
Unit power is off	Toggle switch off	Turn on
	Unit in high limit shut down	Controller bad SSR stuck Replace
	Fan not working In Fan Limit shut down	Clean fan or replace
	Blown Fuses	Call service tech or electrician for assistance
Fan is off	Bad fan	Replace
	Bad fan switch	Replace
	Blown fuses	Call for assistance

VH SERIES SUGGESTED MAINTENANCE

DAILY	Wash all exposed cleanable areas.
MONTHLY	Clean around lower front and fan for accumulation of lint, dirt, or grease.
OVEN INTERIOR	The interior of your unit is aluminized steel and must be treated with care. Clean by using mild detergents and a brillo type pad. Best to remove spillage immediately to avoid carbonizing of the spill. DO NOT USE CHEMICAL CLEANERS , such as “Easy Off”, as this type of cleaner will damage the aluminized coating.
OVEN EXTERIOR	Wipe with dampened cloth and a mild detergent. Do not use abrasives on oven finish or it will scratch.
STAINLESS STEEL	To remove normal dirt, grease, use mild detergent applied with a sponge or cloth. Dry thoroughly.
PIZZA DECKS	Pizza stones must be treated with care. Clean with a deck brush that can be purchased from any food service equipment dealer. Wipe with a well wrung damp cloth to remove dust or residue. DO NOT CLEAN WITH WATER! Decks will crack.



IMPORTANT

Clean your fan periodically. Dirty fans will cause shutdowns to protect the unit's controller.

VH SERIES PARTS REPLACEMENT INSTRUCTIONS

CONTROLLER	Disconnect from power Remove screws on lower front to access control Remove controller and mount replacement Carefully reattach wires to the proper terminals
SOLID STATE RELAY	Disconnect from power Remove back cover Remove relay and mount replacement Carefully reattach wires to the proper terminals
CALROD ELEMENTS	Disconnect from power Remove back cover Remove wires from desired element Open door, remove fasteners and remove stone and steel deck Remove elements Reverse procedure
COOLING FAN	Disconnect from power Remove screws on lower front to access fan Remove fan and mount replacement fan Unplug old fan and plug in new fan Replace front
DOOR HINGE PINS	Hinge assembly is fastened to door frame Remove door weights, both sides Remove screws and move door forward enough to slide hinge pin clear of frame Insert new pin and mount to frame using new screws provided Old units may require drilling out the screw heads and drilling new holes In this case, you may have to rotate hinges

VH30 ELECTRONIC MODELS PARTS LIST

VH11311	Electronic controller
VH11312	Toggle switch
VH11313	Fuse holders
VH11314	Fuses
VH11315	Cooling Fan - 3" 220V
VH11316	Fan Guard
VH11317	Fan Control switch(PEPI C)
VH11318	Thermocouple
VH11319	SSR
VH11320	Terminal Block
VH11321	Calrod elements 220V
VH11322	2000W Heating elements 220V
VH11323	Oven Door Complete with Handle (Stainless)
VH11324	Stainless Steel Lower Front Panel
VH11325	Door Handle
VH11326	Hinge Pin Assembly (Sold in Pairs!)
VH11327	1/2" Pizza Decks (3 required)
VH11328	Lower Heater Holder and Baffle
VH11329	Peerless Nameplate
VH11330	Instruction Manual
VH11331	Back Cover
VH11332	4" Legs(set of 4)
VH11333	Oven Door weights
VH11334	High Limit (360°) Synsys
VH11335	Fan limit switch(PEPI C)

VH50 ELECTRONIC MODELS PARTS LIST

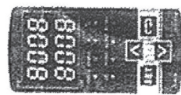
PART #	DESCRIPTION
VHI01	Electronic controller
VHI02	Toggle switch
VHI03	Fuse Holders
VHI04	Fuses
VHI05	Terminal Block
VHI06	Calrod Heater
VHI07	Cooling Fan
VHI08	Fan Guard
VHI09	SSR
VHI10	Thermocouple for Electronic Controller
VHI11	Upper SSR
VHI12	Potentiometer
VHI13	Potentiometer Knob
VHI14-A	Fan Switch
VHI14-B	Fan Limit Switch
VHI15	Inside Lower Front
VHI16	Lower Heater Holder and Baffles
VHI17	Oven Door Complete with Handle (Stainless)
VHI18	Hinge Pin Assembly (Sold in Pairs!)
VHI19	Oven Door Weights
VHI20	Oven Door Gasket
VHI21	Oven Door Handle
VHI22	Stainless Steel Lower Front Panel
VHI23	7" Legs (Set of 4) Black
VHI24	18" Legs (Set of 4) Black
VHI25	28" Legs (Set of 4) Black
VHI26	1" Pizza Deck (1- 2Pcs. Deck) P models
VHI27	Steel Deck B Models
VHI28	Peerless Nameplate
VHI29	Stainless Steel Front Trim
VHI30	Instruction Manual
VHI31	High Limit
VHI32	Back Cover

DTB Series Temperature Controller

Precautions

- ⚠ DANGER! Caution! Electric Shock!**
- 1. Do not allow dust or foreign objects to fall inside the controller to prevent it from malfunctioning.
- 2. Never modify or disassemble the controller.
- 3. This controller is an open-type unit and must be placed in an enclosure away from high temperature, humidity, dripping water, corrosive materials, airborne dust and electric shock or vibration.
- 4. Wait at least one minute after power is disconnected to allow capacitors to discharge, and please do not touch any internal circuit within this period.

Display, LED & Pushbuttons



PV: Present value
 SV: Set value
 AT: Auto-tuning LED
 OUT1/OUT2: Output LED
 ON/OFF: Select & setup keys
 C: F: Celsius & Fahrenheit LED
 ALM1 ~ ALM3: Alarm output LED
 X/A: Digit adjustment keys

Ordering Information

DTB **11234** **516** **7-8**

DTB Series	DTB: Delta B Series Temperature Controller
11234	Panel size (W×H) ■ 4824: 1/32 DIN W48 × H24mm ■ 4848: 1/16 DIN W48 × H48mm
5	1 st output group selection R: Relay output, SPDT (1/16 DIN and 1/32 DIN size), 250VAC, 5A V: Voltage pulse output, 14V ±10% ~ -20% (Max. 40mA) C: DC current output, 4 ~ 20mA
6	2 nd output group selection L: Linear voltage output, 0 ~ 5V, 0 ~ 10VDC R: Relay output, SPDT (1/16 DIN and 1/32 DIN size), 250VAC, 5A V: Voltage pulse output, 14V ±10% ~ -20% (Max. 40mA)
7	EVENT inputs / CT function (optional) None, No EVENT input, No CT (Current transformer) E: EVENT input is provided, No CT (Current transformer) T: CT (Current transformer) is provided, No EVENT input V: Valve control
8	Power supply None, AC 100 ~ 240V, D: DC24V

Note 1: DTB4824 series: no optional function provided and no extra alarm output supported, but user can set 2nd output as alarm mode.
 Note 2: DTB4848 series: only one alarm output when optional function supported, but user can set 2nd output as 2nd alarm output.
 Note 3: Valve control with feedback selection is only available for DTB4848REV, DTB9595RRV.

Specifications

Input voltage	AC100 ~ 240V, 50/60Hz; DC24V±10%
Display method	2 line x 4 character 7-segment LED display Process value (PV): Red; Set point (SV): Green Thermocouple: K, J, E, N, R, S, B, L, U, TXX 3-wire Platinum RTD: Pt100, JPt100
Sensor type	Analogue linear 0 ~ 5V, 0 ~ 10V, 0 ~ 20, 0 ~ 50, 0 ~ 100, 0 ~ 200, 0 ~ 500, 0 ~ 1000

DTB TEMPERATURE CONTROLLER

Regulation Mode
 11234 Regulate upper-limit of analog output value (The setting is displayed when in analog output)*
 11235 Regulate lower-limit of analog output value (The setting is displayed when in analog output)*
 Press **▲** to return to auto-tuning mode
 Press **▼** to return to target temperature
 *1 Scale = 2.8uA = 1.3mV for tuning output value
 PID mode selection: any one of 4 groups PID modes (n = 0 ~ 3) can be selected. When n = 4, program will automatically select 1 group PID that is most useful for target temperature.

Operation Mode
 11238 PID setting: n=0
 Press **▲** Select n=0-4
 11239 Proportion band setting: n=0
 Press **▲** Proportion band setting: n=3
 11240 Ti setting: n=0
 Press **▲** Ti setting: n=3
 11241 Td setting: n=0
 Press **▲** Td setting: n=3
 11242 Integral deviation setting: n=0
 Press **▲** Integral deviation setting: n=3
 Press **▲** > 0 ~ 3 groups
 Press **▲** return to PID deviation setting
 Press **▲** return to PID deviation setting
 Pattern and step editing selection: edit 11243 in 11243 parameter. The following display is the example operation of pattern No. 0.
 11243 Select desired editing pattern number
 Press **▲** Select number
 Press **▲** select number
 Exit pattern and step editing selection
 11244 Edit temperature of step No.0
 Press **▲** Edit temperature of step No.0 when program control is executing
 11245 Edit time of step No.0 of pattern No.0. Unit: h:m:mm
 Press **▲** Set additional execution cycle number (0-99)
 11246 Set step No. 07 in order
 Press **▲** Set link pattern, OFF indicates the program end.
 11247 Edit temperature of step No.7 of pattern No.0
 Press **▲** Edit time of step No.7 of pattern No.0
 Press **▲** to set actual step No.
 Switch to 11248 and continue to set No.0
 Press **▲** to return

Alarm Outputs

There are up to three groups of alarm outputs and each group allows thirteen alarm types in the initial setting mode. The alarm output is activated whenever the process temperature value (PV) is going higher or lower than the set point of alarm limit.

Set value	Alarm type
0	Alarm function disabled
1	Deviation upper- and lower-limit
2	Deviation upper-limit
3	Deviation lower-limit
4	Reverse deviation upper- and lower-limit
5	Absolute value upper- and lower-limit
6	Absolute value upper-limit
7	Absolute value lower-limit
8	Deviation upper- and lower-limit with standby sequence
9	Deviation upper-limit with standby sequence
10	Deviation lower-limit with standby sequence
11	Hysteresis upper-limit alarm output
12	Hysteresis lower-limit alarm output
13	CT alarm output
14	When program control is end status, alarm output is ON
15	When RAMP UP status happens to PID program control, alarm output is ON
16	When RAMP DOWN status happens to PID program control, alarm output is ON
17	When SOAK status happens to PID program control, alarm output is ON

0 or 1 digit to the right of the decimal point (selectable)
 Analog input: 150 msec/ per scan. Thermocouple or Platinum RTD: 400 msec/ per scan
 0°C ~ +50°C - 12.2-15
 35% ~ 80% (non-condensing)

Operation

Regulation Mode: Press **F1** for less than 3 sec → Operation Mode → Press **F1** for more than 3 sec → Initial Setting Mode

Regulation Mode: Press **F2** key to set temperature set point

Initial Setting Mode: Press **F2** key to set temperature set point

Regulation Mode: Press **F3** key to set temperature unit (NOT display when in analog input)

Initial Setting Mode: Press **F3** key to set temperature unit

Regulation Mode: Press **F4** key to set PID program control and setting

Initial Setting Mode: Press **F4** key to set PID program control and setting

Regulation Mode: Press **F5** key to set Start pattern setting (PID program control and setting)

Initial Setting Mode: Press **F5** key to set Start pattern setting

Regulation Mode: Press **F6** key to set Decimal point position

Initial Setting Mode: Press **F6** key to set Decimal point position

Regulation Mode: Press **F7** key to set Upper-limit alarm 1

Initial Setting Mode: Press **F7** key to set Upper-limit alarm 1

Regulation Mode: Press **F8** key to set Lower-limit alarm 1

Initial Setting Mode: Press **F8** key to set Lower-limit alarm 1

Regulation Mode: Press **F9** key to set Upper-limit alarm 2

Initial Setting Mode: Press **F9** key to set Upper-limit alarm 2

Regulation Mode: Press **F0** key to set Lower-limit alarm 2

Initial Setting Mode: Press **F0** key to set Lower-limit alarm 2

Regulation Mode: Press **F1** key to set Alarm 3 mode setting

Initial Setting Mode: Press **F1** key to set Alarm 3 mode setting

Regulation Mode: Press **F2** key to set Set system alarm

Initial Setting Mode: Press **F2** key to set Set system alarm

Regulation Mode: Press **F3** key to set Communication write function enable/disable

Initial Setting Mode: Press **F3** key to set Communication write function enable/disable

Regulation Mode: Press **F4** key to set ASCII, RTU communication format selection

Initial Setting Mode: Press **F4** key to set ASCII, RTU communication format selection

Regulation Mode: Press **F5** key to set Communication address setting

Initial Setting Mode: Press **F5** key to set Communication address setting

Regulation Mode: Press **F6** key to set Communication baud rate setting

Initial Setting Mode: Press **F6** key to set Communication baud rate setting

Regulation Mode: Press **F7** key to set Data length setting

Initial Setting Mode: Press **F7** key to set Data length setting

Regulation Mode: Press **F8** key to set Parity bit setting

Initial Setting Mode: Press **F8** key to set Parity bit setting

Regulation Mode: Press **F9** key to set Valve output with feedback

Initial Setting Mode: Press **F9** key to set Valve output with feedback

Regulation Mode: Press **F0** key to set DA value feedback of valve

Initial Setting Mode: Press **F0** key to set DA value feedback of valve

Regulation Mode: Press **F1** key to set Valve output with feedback

Initial Setting Mode: Press **F1** key to set Valve output with feedback

Regulation Mode: Press **F2** key to set DA value feedback of valve

Initial Setting Mode: Press **F2** key to set DA value feedback of valve

Regulation Mode: Press **F3** key to set Valve output with feedback

Initial Setting Mode: Press **F3** key to set Valve output with feedback

Regulation Mode: Press **F4** key to set DA value feedback of valve

Initial Setting Mode: Press **F4** key to set DA value feedback of valve

Regulation Mode: Press **F5** key to set Valve output with feedback

Initial Setting Mode: Press **F5** key to set Valve output with feedback

Regulation Mode: Press **F6** key to set DA value feedback of valve

Initial Setting Mode: Press **F6** key to set DA value feedback of valve

Regulation Mode: Press **F7** key to set Valve output with feedback

Initial Setting Mode: Press **F7** key to set Valve output with feedback

Regulation Mode: Press **F8** key to set DA value feedback of valve

Initial Setting Mode: Press **F8** key to set DA value feedback of valve

Regulation Mode: Press **F9** key to set Valve output with feedback

Initial Setting Mode: Press **F9** key to set Valve output with feedback

Regulation Mode: Press **F0** key to set DA value feedback of valve

Initial Setting Mode: Press **F0** key to set DA value feedback of valve

- RS-485 COMMUNICATION**
- Supporting transmission speed: 2,400, 4,800, 9,600, 19,200, 38,400bps
 - Communication protocol: Modbus (ASCII or RTU)
 - Function code: 03H to read the contents of register (Max. 8 words), 06H to write 1 (one) word into register, 02H to read the bits data (Max. 16 bits), 05H to write 1 (one) bit into register.

Address	Content	Explanation
1003H	Process value (PV)	Measuring unit is 0.1, updated one time in 0.4 second
1001H	Set point (SV)	Unit is 0.1, °C or °F
1002H	Upper-limit of temperature range	The data content should not be higher than the temperature range
1003H	Lower-limit of temperature range	The data content should not be lower than the temperature range
1005H	Control method	0: PID, 1: ON/OFF, 2: manual tuning, 3: PID program control
1006H	Heating/Cooling control selection	0: Heating, 1: Cooling, 2: Heating/Cooling, 3: Cooling/Heating
1007H	1st group of Heating/Cooling control cycle	0 ~ 99, 0.0.5 sec
1008H	2nd group of Heating/Cooling control cycle	0 ~ 99, 0.0.5 sec
1009H	PB Proportional band	0.1 ~ 999.9
100AH	TI (Integral) time	0 ~ 9.999
100BH	TD Derivative time	0 ~ 9.999
1012H	Output value read and write of Output 1	Write operation is valid under manual tuning mode only.
1013H	Output value read and write of Output 2	Write operation is valid under manual tuning mode only.
1016H	Temperature regulation value	999 ~ -999, unit: 0.1
102AH	Read LED status	b0: Alm3, b1: Alm2, b2: °F, b3: °C, b4: Alm1, b5: OUT2, b6: OUT1, b7: AT
102BH	Read pushbutton status	b0: Set, b1: Select, b2: Up, b3: Down, 0 is to push
102CH	Setting lock status	0: Normal, 1: All setting lock, 11: Lock others than SV value
102DH	CT read value	Unit: 0.1A
0811H	Temperature unit display selection	°C/linear input (default): 1, °F: 0
0813H	AT setting	OFF: 0 (default), ON: 1
0814H	Control RUN/STOP setting	0: STOP, 1: RUN (default)
0815H	STOP setting for PID program control	0: RUN (default), 1: STOP
0816H	Temporarily STOP for PID program control	0: RUN (default), 1: Temporarily STOP

Panel Cutout

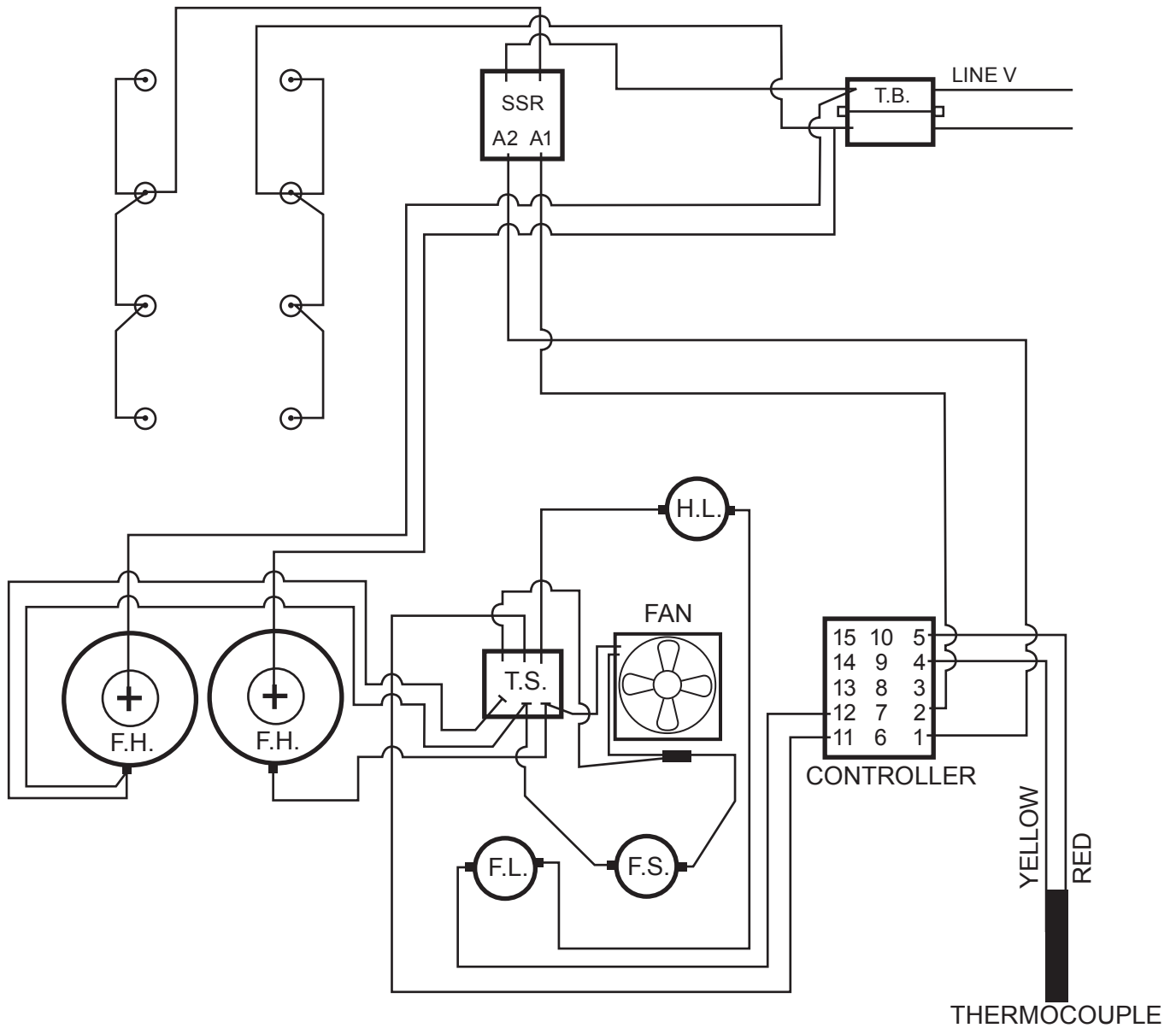
Model	Panel cutout (W * H)
4824	45mm * 22mm
4848	45mm * 45mm
4896	44.5mm * 91.5mm
9696	91mm * 91mm

How to Set Up Current Input

An internal 249Ω precision resistor for the current input is built-in.
 For normal input

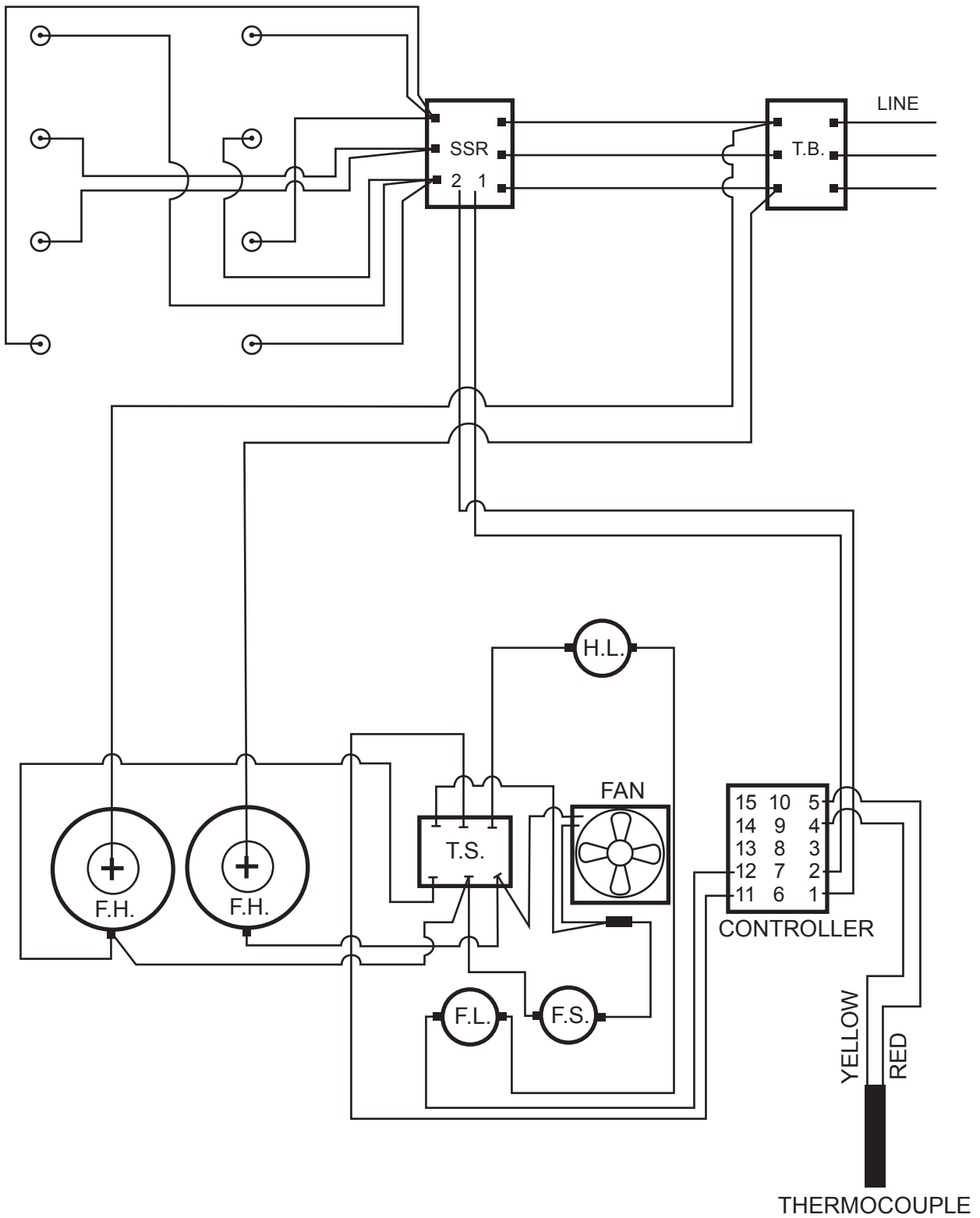
For current input (4 ~ 20mA, 0 ~ 20mA)

VH30 1 PHASE 220V WIRING DIAGRAM

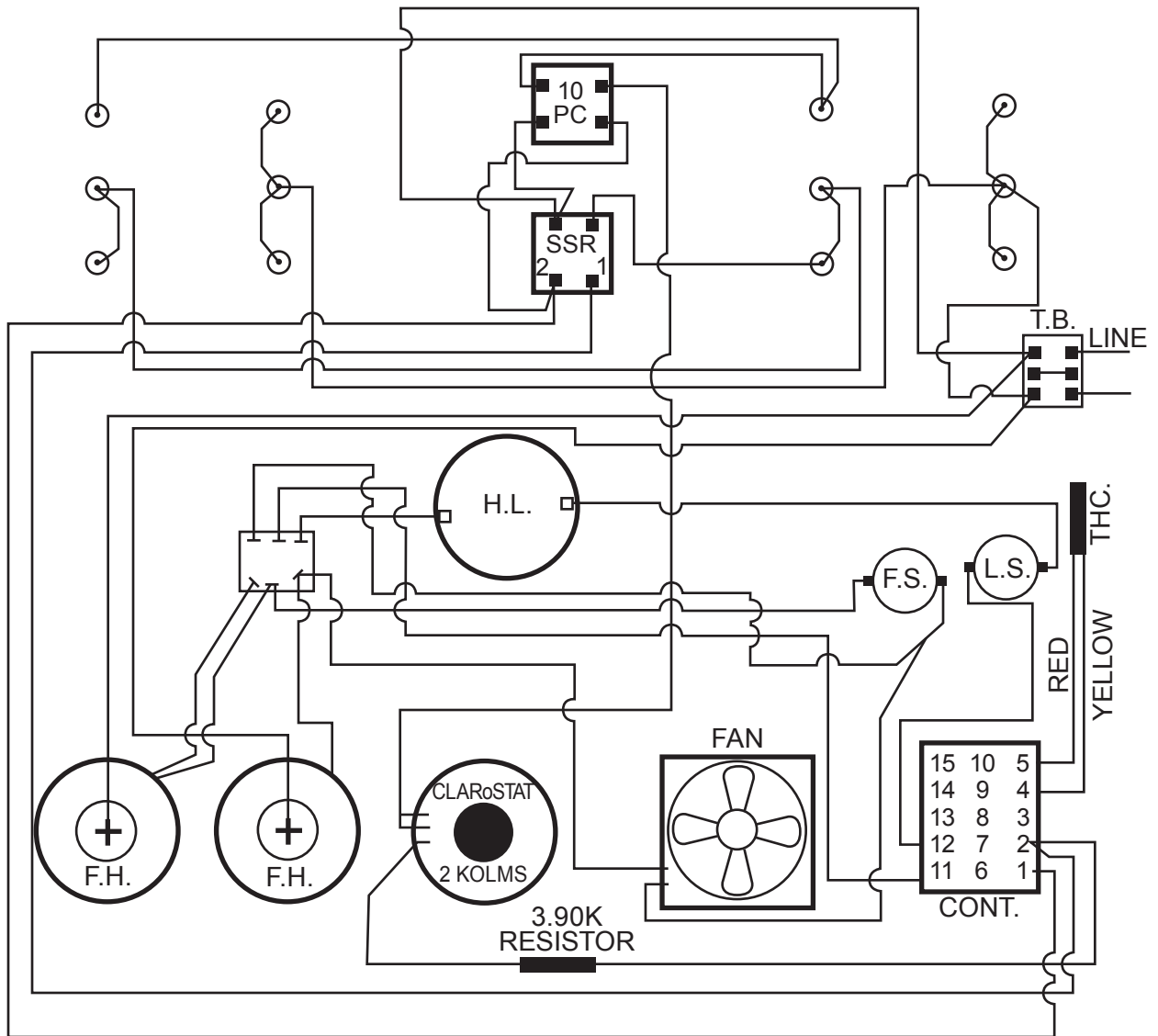


- | | |
|-------|----------------|
| SSR | RELAY |
| T.B. | TERMINAL BLOCK |
| H.L. | HIGH LIMIT |
| F.H. | FUSE HOLDER |
| T.S. | TOGGLE SWITCH |
| CONT. | CONTROLLER |
| L.S. | LIMIT SWITCH |
| F.S. | FAN SWITCH |

VH30 220V 3 PHASE WIRING DIAGRAM

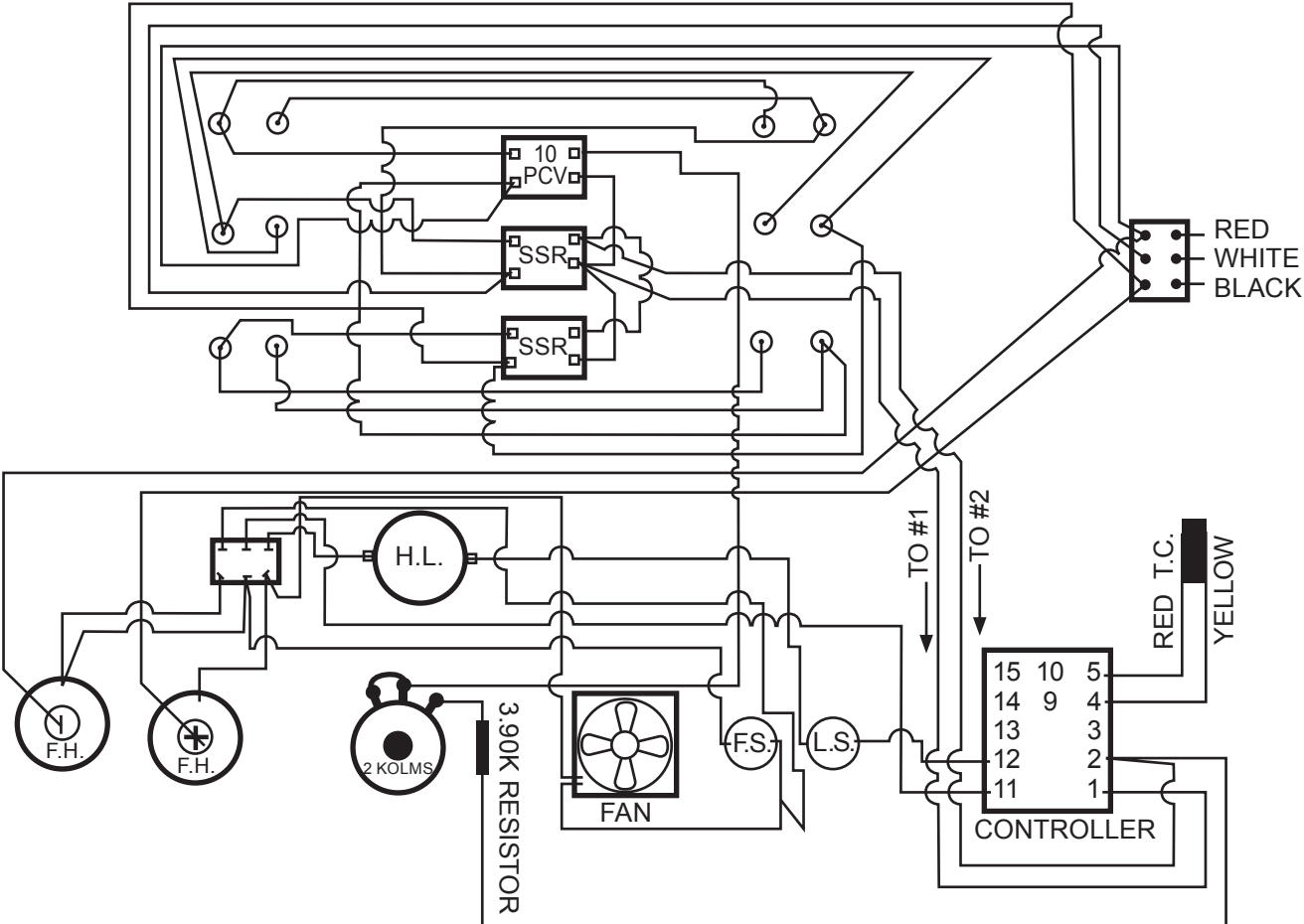


VH50 1 PHASE 220V WIRING DIAGRAM



- | | |
|-----------|----------------|
| 10 PC | RELAY |
| SSR | RELAY |
| T.B. | TERMINAL BLOCK |
| H.L. | HIGH LIMIT |
| T.S. | TOGGLE SWITCH |
| F.H. | FUSE HOLDER |
| CLARoSTAT | |
| CONT. | CONTROLLER |
| THC | THERMOCOUPLE |

VH50 3 PHASE WIRING DIAGRAM



TERMS AND CONDITIONS OF SALE

THESE TERMS AND CONDITIONS OF SALE ("TERMS") CONTAIN VERY IMPORTANT INFORMATION REGARDING YOUR PURCHASE, AS WELL AS CONDITIONS, LIMITATIONS, AND EXCLUSIONS THAT APPLY TO YOU AND YOUR PURCHASE. PLEASE READ THEM CAREFULLY. YOUR PURCHASE IS EXPRESSLY LIMITED TO AND MADE CONDITIONAL UPON THE EXCLUSIVITY OF THESE TERMS. ANY PROPOSAL FOR DIFFERENT TERMS OR ANY ATTEMPT TO VARY, IN ANY DEGREE, ANY OF THESE TERMS IS EXPRESSLY REJECTED.

1. **Acceptance.** These Terms govern any purchase made from North American Kitchen Solutions, Inc. ("**NAKS**"). These Terms, the Manual in which they are contained, installation and maintenance instructions, the applicable invoice, and any documents incorporated or referred to herein or therein, including any future paper or electronic releases issued by NAKS, constitute the "Order." The Order is the entire contract between you, the buyer, and NAKS, the seller, for products purchased from NAKS. These Terms apply to the Order unless expressly modified or waived by an officer of NAKS. These Terms prevail over any of your general terms and conditions of purchase regardless whether or when you submitted the purchase order or such terms. Fulfillment of your order does not constitute acceptance of any of your terms and conditions and does not serve to modify or amend these Terms. An Order may only be cancelled by you upon payment of reasonable cancellation charges for expenses incurred or commitments made by NAKS. Captions in these Terms are for convenience only.

2. **Pricing.** The price for NAKS' goods, material, equipment, or items ("**Products**") is complete, and no deductions, credits, or offsets may be made without NAKS's express written consent. Prices are subject to change and surcharges in the event of cost increases in materials and transportation. All complete component accessory material manufactured by others and furnished with Products such as motors, drives, vibration equipment, controls, or other completely assembled component structures, are subject to adjustment to the price at time of shipment regardless of the date of original order entry.

3. **Sales and Similar Taxes.** NAKS' prices do not include sales, use, excise, or similar taxes. Present or future sales, use, excise, or other similar tax applicable to the sale of Products shall be paid by you, unless an acceptable tax exemption certificate is provided to NAKS.

4. **Payment.** NAKS reserves the right to require full or partial payment in advance of any order if, in NAKS' judgment, your financial condition does not justify continuation of manufacture or shipment. NAKS may require full or partial payment in advance. Pro-rata payments are due as shipments are made. Each shipment or delivery shall constitute a separate sale, and the default of any shipment or delivery shall constitute a separate sale, and the default of any shipment or delivery shall not vitiate the contract as to other shipments or deliveries. Except as otherwise provided, all payments shall be due within 7 days of receipt of the Products. You shall pay interest on any late payments at the lesser of the rate of 1.5% per month or the highest rate permissible under applicable law, calculated daily and compounded monthly.

5. **Return Policy – ALL SALES ARE FINAL.** Because we custom manufacture our hoods to each customer's specifications, ALL SALES ARE FINAL. We may accept the return of non-custom goods at our discretion, but a restocking fee of 30% will apply and all shipping costs are the responsibility of the purchaser or end user. No merchandise may be returned without a Return Goods Authorization (RGA). Items returned for warranty replacement or exchange will not be eligible for credit if not received within 14 days of the issuance of a Return Goods Authorization.

6. **Free Shipping.** Free shipping offers are limited to standard shipping to the 48 contiguous United States.

7. **Delivery.** Shipping and delivery dates are estimates only. No delay in delivery will subject NAKS to any costs, damages or fees for late delivery. Delivery of Products is made F.O.B. point of shipment, unless otherwise stated. NAKS shall not be liable for delay due to causes beyond its reasonable control (i.e., force majeure events). In the event of such a delay, the date of delivery shall be extended for a period equal to the time lost by reason of the delay.

8. **Changes.** NAKS may make changes, including improvements and additions, in the technical requirements, specifications, designs, materials, packaging, and place of delivery, method of transportation, quantities, or delivery schedules of the Products by notifying you. x

9. **Safety.** The Products may be designed to serve multiple applications. NAKS offers a range of safety equipment, including guards and other devices, as may be required to meet customer specifications. Without exception, NAKS recommends that all orders include applicable safety devices; provided that NAKS disclaims any liability with respect to any specific recommendations for safety equipment for any particular Products. Use of Products ordered without applicable safety devices is your sole responsibility. You warrant that you have determined and acquired any and all safety devices required for the Products. Weather covers and guards for motor and V-belt drives, couplings, shafts and bearings, along with inlet and outlet screens, are optional accessories noted in the price list.

10. **Title.** Title and right of possession of Products remains with NAKS until all payments (including deferred payments whether evidenced by notes or otherwise) shall have been received to the satisfaction of NAKS and you agree to do all acts necessary to perfect and maintain such title and right in NAKS and not to subject any Products to any liens or encumbrances until such payment is made in full.

11. **Governing Law.** This Order shall be governed by and construed according to the laws of the State of Ohio (excluding the conflict of law provisions thereof). At NAKS' discretion, any action relating directly or indirectly to the Order shall be brought exclusively in the Common Pleas Court of Cuyahoga County, Ohio or the United States District Court for the Northern District of Ohio, Eastern Division, and you irrevocably waive any objection to the jurisdiction of, or venue in, either of these courts and agree that the acceptance of the Order constitutes doing business in the State of Ohio.

12. **Compliance with Law.** You shall comply with all applicable laws, regulations and ordinances related to the Products, and you shall maintain in effect all the licenses, permissions, authorizations, consents and permits that you need with respect to the receipt, use and operation of the Products.

10. **Title.** Title and right of possession of Products remains with NAKS until all payments (including deferred payments whether evidenced by notes or otherwise) shall have been received to the satisfaction of NAKS and you agree to do all acts necessary to perfect and maintain such title and right in NAKS and not to subject any Products to any liens or encumbrances until such payment is made in full.

11. **Governing Law.** This Order shall be governed by and construed according to the laws of the State of Ohio (excluding the conflict of law provisions thereof). At NAKS' discretion, any action relating directly or indirectly to the Order shall be brought exclusively in the Common Pleas Court of Cuyahoga County, Ohio or the United States District Court for the Northern District of Ohio, Eastern Division, and you irrevocably waive any objection to the jurisdiction of, or venue in, either of these courts and agree that the acceptance of the Order constitutes doing business in the State of Ohio.

12. **Compliance with Law.** You shall comply with all applicable laws, regulations and ordinances related to the Products, and you shall maintain in effect all the licenses, permissions, authorizations, consents and permits that you need with respect to the receipt, use and operation of the Products.

13. **Force Majeure.** NAKS shall not be liable or responsible to you, nor be deemed to have defaulted or breached these Terms, for any failure or delay in fulfilling or performing any terms herein, when and to the extent such failure or delay is caused by or results from acts or circumstances beyond the reasonable control of NAKS including, without limitation, acts of God, flood, fire, earthquake, explosion, governmental actions, war, invasion or hostilities (whether war is declared or not), terrorist threats or acts, riot, or other civil unrest, national emergency, revolution, insurrection, outbreak of disease, lockouts, strikes or other labor disputes (whether or not relating to either party's workforce), or restraints or delays affecting carriers or inability or delay in obtaining supplies of adequate or suitable materials, materials or telecommunication breakdown or power outage.

14. **Waiver.** No waiver by any party of any of the provisions hereof shall be effective unless explicitly set forth in writing and signed by the party so waiving. No failure to exercise, or delay in exercising, any right, remedy, power, or privilege arising from this Agreement shall operate or be construed as a waiver thereof; nor shall any single or partial exercise of any right, remedy, power, or privilege hereunder preclude any other or further exercise thereof or the exercise of any other right, remedy, power, or privilege.

15. **Arbitration.** At NAKS' discretion, any dispute arising under or in connection with any Order may be submitted to binding arbitration administered by the American Arbitration Association under its Commercial Arbitration Rules, and judgment on the award rendered by the arbitrator may be entered in any court having jurisdiction thereof. The dispute shall be resolved by one neutral arbitrator who shall have no affiliation with either you as the buyer or with NAKS and shall be selected by the American Arbitration Association office, and held in, Cleveland, Ohio.

WARNING. NAKS' Products are designed and manufactured to provide reliable performance, but they are not guaranteed to be 100% free of defects. Even reliable products will experience occasional failures and this possibility should be recognized by you and all end users. If Products are used in life support ventilation systems where failure could result in loss or injury, you and all end users should provide adequate back-up ventilation, supplementary natural ventilation or failure alarm system, or acknowledge willingness to accept the risk of such loss or injury. **DO NOT USE IN HAZARDOUS ENVIRONMENTS** where fan's electrical system could provide ignition to combustible or flammable materials unless unit is specifically built for hazardous environments. Comply with all local and national safety codes including the National Electrical Code (NEC) and National Fire Protection Act (NFPA).

CAUTION. Guards must be installed when fan is within reach of personnel or within eight (8) feet (2.5 m) of working level or when deemed advisable for safety.

DISCLAIMER. NAKS has made a diligent effort to illustrate and describe the Products accurately in all materials; however, such illustrations and descriptions are for the sole purpose of identification and do not express or imply any warranty.

LIMITED WARRANTY

WARRANTY AND DISCLAIMER. This limited warranty extends to you the original purchaser only with proof of purchase. NAKS warrants that Products shall be free from original defects in workmanship and materials for one year from date of shipment provided the Products have been properly handled, stored, installed, serviced, maintained, and operated. This warranty shall not apply to Products which have been altered or repaired without NAKS' express authorization, or altered or repaired in any way so as, in NAKS' judgment, to affect performance or reliability, nor which have been improperly installed or subjected to misuse, negligence, or accident, or incorrectly used in combination with other substances. You assume all risks and liability for results of use of all Products.

LIMITATION OF REMEDY AND DAMAGES. All claims under this warranty must be made in writing and delivered by U.S. Mail to:

North American Kitchen Solutions
172 Reaser Court
Elyria, OH 44035
Attn: WARRANTY CLAIMS DEPARTMENT

All Product claims must be made within 15 days after discovery of the defect and prior to the expiration of one year from the date of shipment. Claims made beyond that period are barred. Within 30 days after receipt of a timely claim, NAKS shall have the option either to inspect the Product at its location or request its return to NAKS at your expense. NAKS shall replace, or at its option repair, free of charge, any Product it determines to be defective, and it shall ship the repaired or replacement product to you F.O.B. point of shipment; provided, however, if in NAKS' judgment circumstances are such to prohibit repair or replacement to remedy the warranted defects, your sole and exclusive remedy shall be a refund of any part of the invoice price, paid to NAKS, for the defective Product or part.

NAKS is not responsible for the cost of removal of the defective Product or part, damages due to removal, or any expenses incurred in shipping the Product, or the installation of the repaired or replaced Product or part.

The warranties set forth above do not apply to any components, accessories, parts or attachments manufactured by other manufacturers; such being subject to the manufacturer's warranty, if any. To the extent not prohibited by the manufacturer's warranty, NAKS shall pass to you such manufacturer's warranty.

THIS WARRANTY IS IN LIEU OF ALL OTHER WARRANTIES, EXPRESS OR IMPLIED, ARISING BY LAW OR OTHERWISE, INCLUDING WITHOUT LIMITATION THE IMPLIED WARRANTIES OF MERCHANTABILITY AND FITNESS FOR A PARTICULAR PURPOSE, WHICH ARE HEREBY EXPRESSLY DISCLAIMED AND WAIVED. THIS WARRANTY CONSTITUTES NAKS SOLE AND EXCLUSIVE WARRANTY FOR DEFECTIVE GOODS AND YOUR SOLE AND EXCLUSIVE REMEDY FOR DEFECTIVE PRODUCTS.

No employee, agent, dealer, or other person is authorized to give any warranties on behalf of NAKS or to assume for it any other liability in connection with any of its products except in writing and signed by an officer of NAKS.

LIMITATION OF LIABILITY. NAKS' cumulative liability to you and any other persons for all claims in any way relating to or arising out of the Products, including, but not limited to, any cause of action sounding in contract, tort, or strict liability, shall not exceed the total amount of the purchase price paid for those Products which are the subject of any such claim. This limitation of liability is intended to apply without regard to whether other provisions of this agreement have been breached or have proven ineffective even if NAKS has been advised of the possibility of such claims or demands. In no event shall NAKS be liable to you or any other person for any loss of profits or any incidental, special, exemplary, or consequential damages for any claims or demands brought by you or such other persons. BECAUSE SOME JURISDICTIONS DO NOT ALLOW THE EXCLUSION OR LIMITATION OF LIABILITY FOR CONSEQUENTIAL OR INCIDENTAL DAMAGES, THIS LIMITATION MAY NOT APPLY TO YOU.

NAKS' maximum liability to you and to any end user is as set forth above. NAKS makes no warranty to anyone for any products not manufactured by it and shall have no liability for any use or installation of any products (whether manufactured by NAKS or other manufacturers) not specifically authorized by this sale. You acknowledge various warnings by NAKS regarding the Products and its installation and use. If NAKS incurs any claims, lawsuits, settlements, or expenses (including attorney fees) for any loss, injury, death or property damage including, but not limited to, claims arising out of your or any end user's installation or use of the Products, you agree to indemnify and hold NAKS harmless.

REPLACEMENT PARTS. If replacement parts are ordered, you warrant that the original components in which these replacement parts will be placed are in satisfactory working condition, and when said replacement parts are installed, the resultant installation will operate in a safe manner, at speeds and temperatures for which the original product was purchased.

TECHNICAL ADVICE AND RECOMMENDATIONS, DISCLAIMER. Notwithstanding any past practice or dealings or any custom of the trade, sales shall not include the furnishing of technical advice or assistance or system design. Any such assistance shall be at NAKS' sole option and may be subject to additional charge(s).

NAKS assumes no obligation or liability on account of any recommendations, opinions, or advice as to the choice, installation or use of Products. Any such recommendations, opinions or advice are given and shall be accepted at your and the end-user's risk and shall not constitute any warranty or guarantee of such Products or their performance.

2021 © North American Kitchen Solutions, Inc. • 172 Reaser Court, Elyria, OH 44035
Toll Free: (800) 715-1014 customerservice@naksinc.com