

PT0068MBNAMSA - SUBMITTAL



Project Name:		Project Location:	
Quote ID:		Item #:	2000
Submitted For:		Submitted On:	
Submitted By:		Submitted From:	
Identity #:	Cooler Unit	Tag:	

For Record For Approval By: _____ Date: _____

General Product Information

Product Family:	PTN	Voltage: (Volts/Ph/Hz)	208-230/1/60
Application:	Indoor	Refrigerant Type:	R448A
Temperature Range:	Medium Temp	Unit Cooler Motor Type:	VSEC
Defrost Type:	Air	Compressor Model:	ZB06KAE

Technical Information

Performance Data

Capacity			Unit Cooler CFM	Altitude	AWEF Value
Ambient Temp (°F)	Room Temp (°F)	Capacity (BTU/H)			
95	35	6,620	550	0	5.61

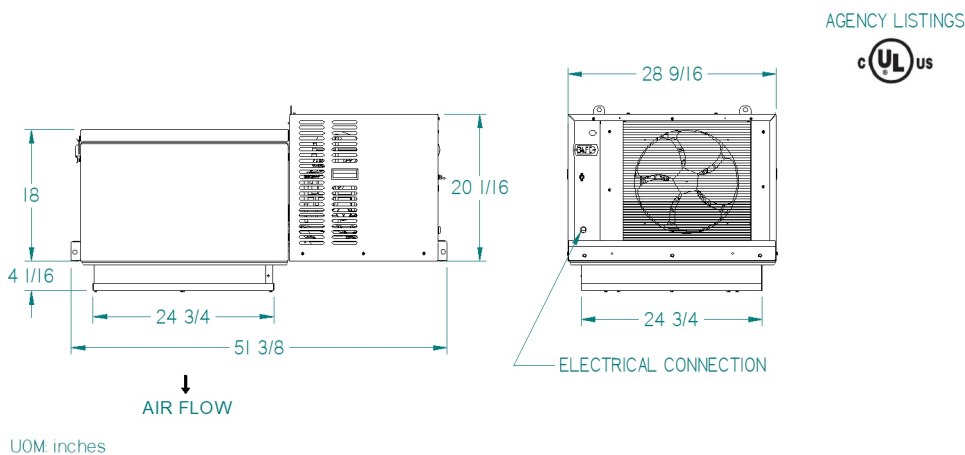
Electrical Data

MCA	MOPD	Unit Amps
9.3	15	8

Unit Specifications

Plug Supplied?	Matching NEMA Receptacle Number	Approx. Net Weight (lbs)
YES	6-15R	215

Dimensional Drawing(s)





Project Name:		Project Location:	
Quote ID:		Item #:	2000
Submitted For:		Submitted On:	
Submitted By:		Submitted From:	
Identity #:	Cooler Unit	Tag:	

Standard Features

AESTHETICS

- STUCCO-ALUMINUM FINISH

ENVIRONMENTALLY FRIENDLY

- PRE-CHARGED WITH R448A REFRIGERANT TO MEET CARB & US CLIMATE ALLIANCE REQUIREMENTS

ENERGY EFFICIENCY

- P1 UNITS USE SINGLE SPEED EC MOTORS (EVAPORATORS)
- P2 & P3 UNITS USE 2 SPEED EC MOTORS (EVAPORATORS)
- P2 & P3 UNITS USE SINGLE SPEED EC MOTORS (CONDENSERS, PT0046M USES PSC)
- P2 & P3 UNITS USE A MICROCHANNEL CONDENSER FOR HIGHER EFFICIENCY & CORROSION PROTECTION

CONTROLS

- MICROPROCESSOR CONTROL

PERFORMANCE

- MAXIMUM VERTICAL STORAGE CAPACITY
- IDEAL FOR HOLDING TEMPERATURE
- MEDIUM-TEMP AIR AND ELECTRIC DEFROST
- LOW-TEMP ELECTRIC DEFROST

RELIABLE & DURABLE

- LIQUID-LINE FILTER DRIER (MEDIUM AND LARGE CABINET ONLY)
- TWO-YEAR PARTS WARRANTY

EASE OF INSTALLATION

- PRE-CHARGED WITH REFRIGERANT
- NO REFRIGERANT PIPING REQUIRED
- EVAPORATIVE CONDENSATE PAN (INDOOR UNITS ONLY)
- ALL UNITS GET A REMOVABLE TOP PANEL WITH LATCHES
- ALL P1 & SELECT P2 & P3 UNITS COME WITH A POWER CORD

Minimum Unit Clearances

