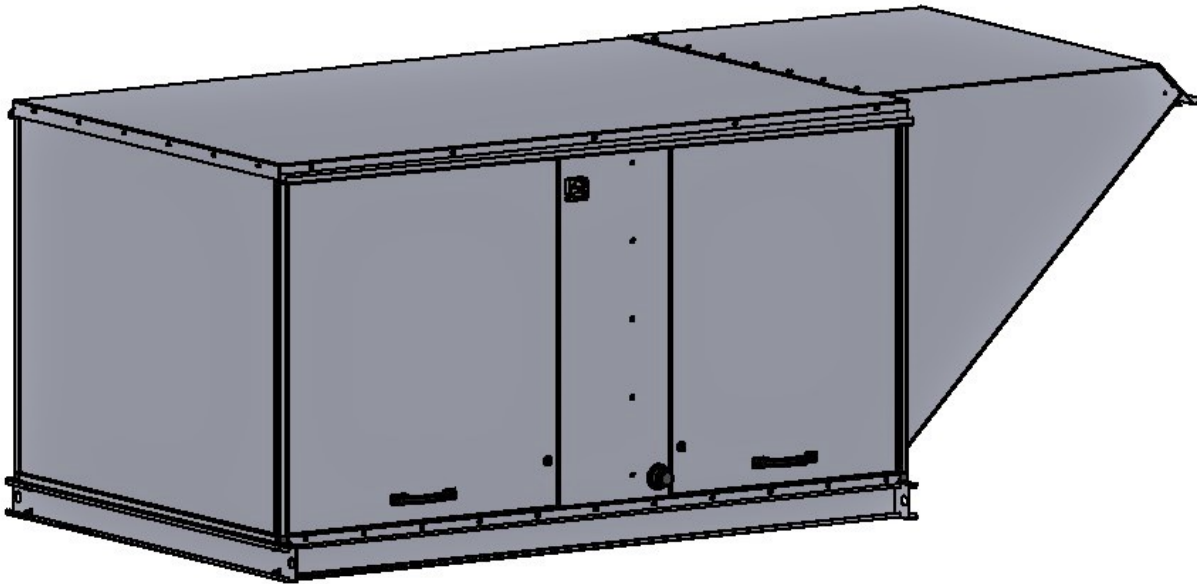


Gas-Fired Tempered Make-Up Air Unit

Model:

T2-3400-230-3

3-Phase, 230V, 2.00 HP, Belt driven with Motorized Damper and 12" Blower. MAX 3,400 CFM





T2-HOX Direct Fired (481 lbs.)

Supply Motor:

Model EM3558T, 2.00 HP, 230-3-60, 5.80 FLA, TEFC (Totally Enclosed Fan Cooled)

Supply Motor Pulleys:

<u>Part Type</u>	<u>Qty</u>	<u>Browning #</u>	<u>Turns Out</u>
Blower Pulley	1	AK54 x 3/4	
Motor Pulley	1	1VP40 x 7/8	2.0

Burner:

Min Output BTU: 18,000 BTU/Hr
Max Output BTU: 375,000 BTU/Hr
Size: 6" long
Gas Type: Natural

Supply Performance:

Volume: 3400 cfm Volume Range: 1400-3400 cfm
RPM: 1072
TS: 3613 ft/min
SP: 1.69" w.g.
0.50" Ext. + 0.80" Int. + 0.39" Opt.
BHP: 1.74

Heating Schedule:

Altitude: 0'
Winter Entering Air Dry Bulb Temp: 0°F
Temp Rise: 100°F
Output BTU: 345,000
Input BTU: 375,000
BTUs BASED OFF STANDARD AIR DENSITY

Supply Installation Information:

Gas Inlet Pressure: 8 in. w.c. - 14 in. w.c.
Insurance: FM/ETL

Unit Main Input: 10.25 Amps MCA, 15 Amps MOP, 230V,
14 AWG Wire Min.
Supply Unit Voltage: 230v-3ph-60hz

Construction Features

Housing constructed of heavy-duty unpainted G90 galvanized steel • Forward curved centrifugal blower wheel • Vibration isolation • Adjustable drive assemblies • Adjustable motor mount • Ball bearing motors • Heavy duty, pre-lubricated bearings L10 rated for 100,000 hours of operation • Static resistant belts • Service doors on both sides • Horizontal & down discharge • Large intake area ensures low pressure drop across unit • Electronic Burner Profiler System automatically adjusts for any airflow - no manual setting required! • Weatherproof safety disconnect switch • Modular design provides design flexibility • Fully insulated casing

Blower:

12" forward curved, centrifugal blower. Permanently lubricated ball bearings. Galvanized finish. 3/4" shaft. 2,500 max. RPM. Used in heated and non-heated supply fans.

Temp Control:

Maxitrol Series 14 • 40-90°F Discharge Temp Control • Field Wired On/Off Start Command; Temperature set point dial @ main/unit panel.

Intake:

Sloped Filtered Intake for T2 Modular Heater. 28" Wide x 32" Long x 30" High. Includes 2" MV EZ Kleen Metal Mesh Filters.

Filters:

2x MV EZ Kleen Metal Mesh Filter. 20"x 25"x 2" Used for heater and supply fan intakes.

Selected Options:

- Motorized Inlet Damper 20"W x 23-3/4"H for T2 Modular Heating Units w/Extended Shaft, Standard Galvanized Construction, 3/4" Rear Flange, LMX24-3-S Belimo Actuator Included (with end switch)
- Low Fire Start. Allows the burner circuit to energize when the modulation control is in a low fire position.

Project No:
Project Name:
Location:
Engineer:
Architect:
Reference:

Submitted by:

Equipment Tag

Contractor:

Model Information

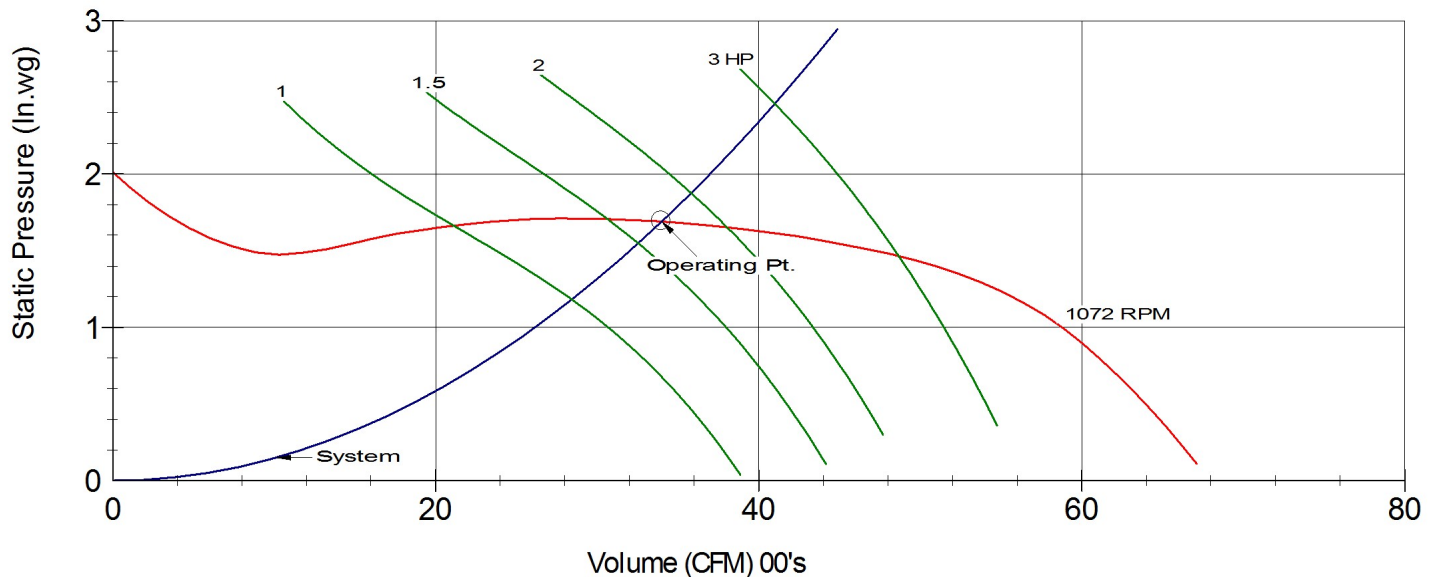
Model: G12	Part Number: 9005464	
CFM: 3400	Shaft Diameter: 0.75	Unit Weight: 48
SP: 1.69	Wheel Diameter: 12.875	Ship Weight: 52
RPM: 1072	Tip Speed: 3613 FPM	
BHP: 1.74	Static Efficiency: 52	Elevation: 0
	Outlet Velocity: 2332 FPM	Temperature: 70

Sound Data

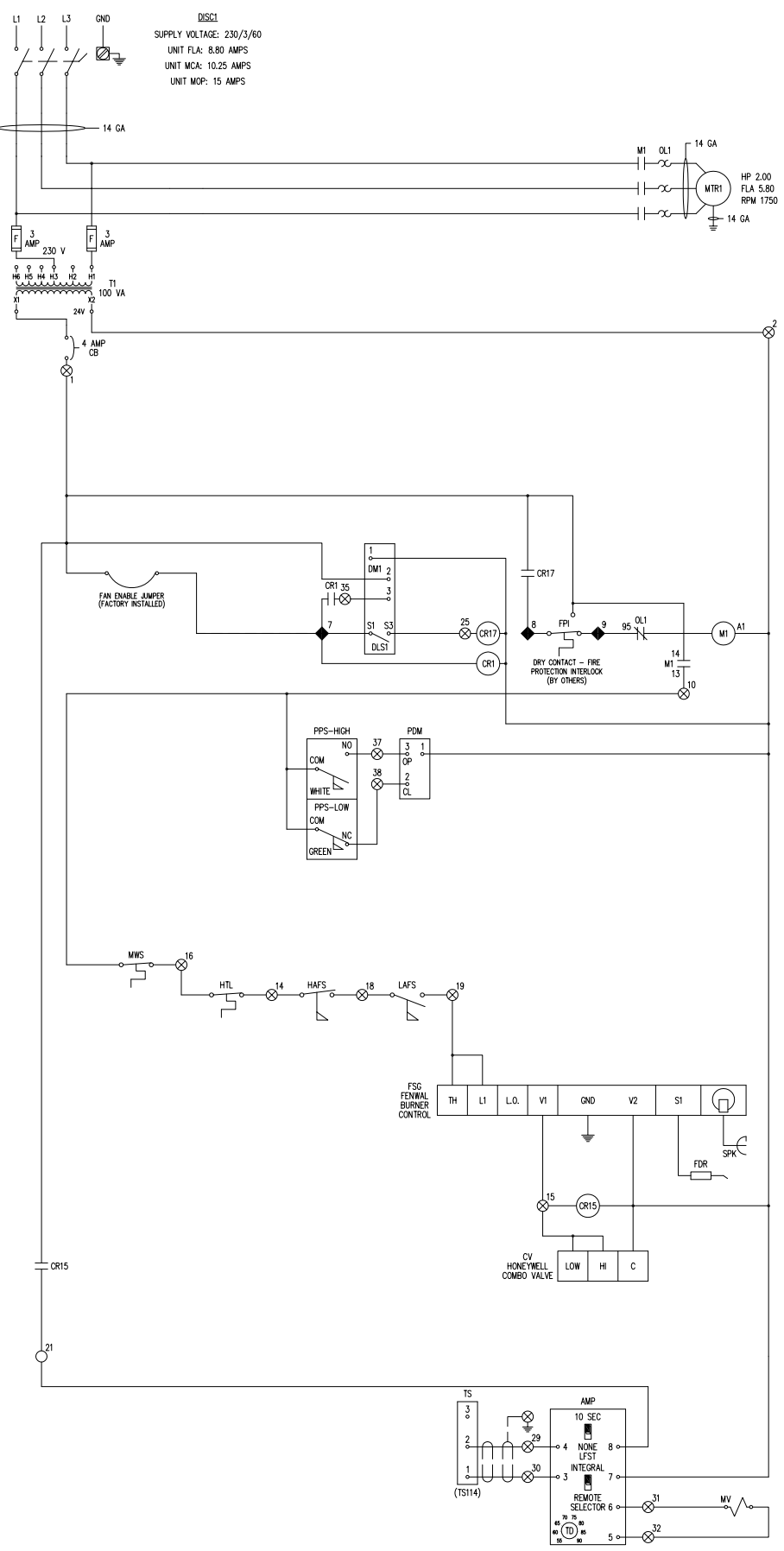
	63	125	250	500	1000	2000	4000	8000	(Hz)	LwA: 85
Sound Power Level @ Frequency, re: 10 ⁻¹² Watts	89	91	86	82	77	77	74	71	(dB)	SONES: 24.8
	Ducted inlet <u>or</u> ducted outlet dBA @5 ft. 74					Ducted inlet <u>and</u> ducted outlet dBA @5 ft. 54				

Performance Curve

DELHI Model G12
CFM=3400 SP=1.69 BHP=1.74 S. Eff=52% RPM=1072



1
2
3
4
5
6
7
8
9
10
11
12
13
14
15
16
17
18
19
20
21
22
23
24
25
26
27
28
29
30
31
32
33
34
35
36
37
38
39
40
41
42
43
44
45
46
47
48
49
50
51
52
53
54
55
56
57
58
59
60
61
62
63
64
65
66
67
68
69
70
71
72
73
74
75
76
77
78
79
80
81
82
83
84
85
86
87
88
89
90
91
92
93
94
95
96
97
98
99
100
101
102
103
104
105
106
107
108
109
110
111
112
113
114
115
116



PROPRIETARY

PLEASE NOTE

DISCONNECT SWITCH

SUPPLY FAN MOTOR OVERLOAD RELAY

SUPPLY FAN MOTOR

CONTROL TRANSFORMER

CIRCUIT BREAKER

INLET DAMPER MOTOR

FAN ENABLE JUMPER

DAMPER LIMIT SWITCH

SUPPLY FAN MOTOR CONTACTOR

DAMPER RELAY

UNIT ENABLE RELAY

PROFILE PRESSURE SWITCH (HIGH)

PROFILE DAMPER MOTOR

PROFILE PRESSURE SWITCH (LOW)

MILD WEATHER STAT

HIGH TEMPERATURE LIMIT SWITCH
HIGH AIR FLOW SWITCH
LOW AIR FLOW SWITCH

FLAME SAFEGUARD CONTROL

SPARK IGNITOR

FLAME DETECTION ROD

BURNER ON RELAY

DIRECT IGNITION COMB. GAS VALVE

TEMPERATURE CONTROL AMPLIFIER

DISCHARGE TEMPERATURE SENSOR

MODULATING GAS VALVE

TEMPERATURE DIAL

ALL FIELD WIRING SHALL BE THWN, THHN OR MTW WIRE TYPE (OR SHIELDED CABLE WHERE NOTED ON SCHEMATIC) RATED FOR 75° C AND LABELED OR IDENTIFIED AT EACH END FOR EACH CONNECTION BEING MADE. WIRING SHALL BE INSTALLED PER NEC AND LOCAL CODE REQUIREMENTS

ALL CONTROL WIRING SHALL BE AS FOLLOWS:

GAUGE	MAX DISTANCE
18	50'
16	75'
14	150'
12	250'

* DO NOT RUN LINE VOLTAGE WIRES WITH CONTROL WIRES *

LEGEND

SYMBOL	DEFINED AS
	(GND) EARTH GROUND GALV, ZINC, MAGNESIUM ROD
	WIRE NUMBERS
	TERMINALS IN CONTROL PANEL
	TERMINALS IN REMOTE PANEL
	REMOTE PANEL WIRING
	FIELD WIRING BETWEEN TERMINALS IN REMOTE PANEL & TERMINALS IN UNIT CONTROL PANEL
	SHIELDED CABLE
	FIELD INSTALLED & WIRED
	FIELD CONNECTION

UNIT SET POINTS

DEVICE	RECOMMENDED SETTING:
HAFS / LAFS	1.00" / 0.40" WC
HTL	130° F
MWS	65° F
PPS-HIGH	CLOSES ABOVE 0.75" WC
PPS-LOW	CLOSES BELOW 0.60" WC
-	-
-	-
-	-
-	-
-	-

REVISIONS

REV.	DATE	REV. BY
-	-	-
-	-	-
-	-	-
-	-	-
-	-	-
-	-	-



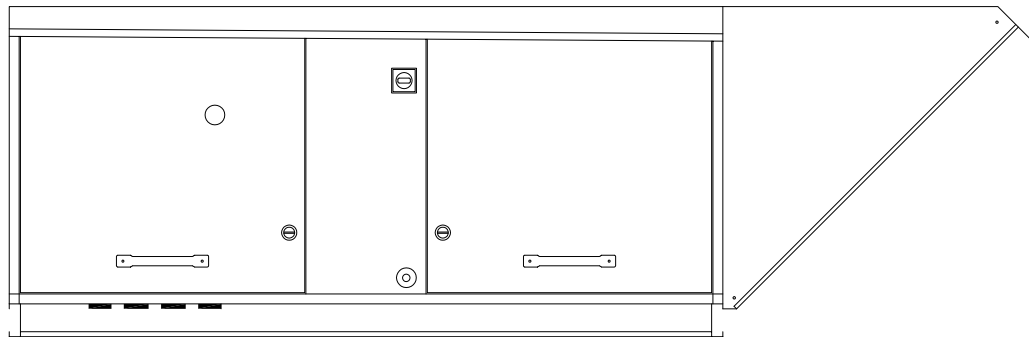
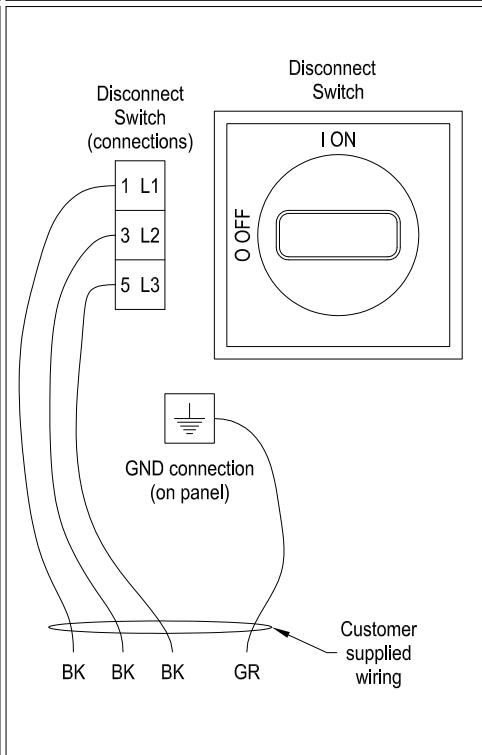
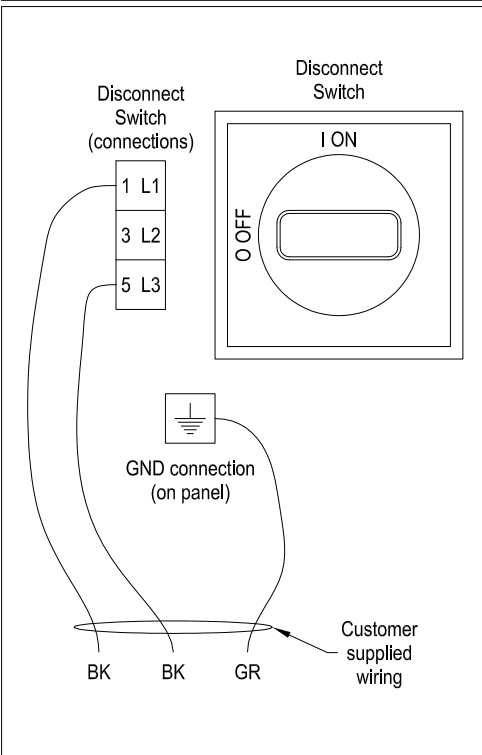
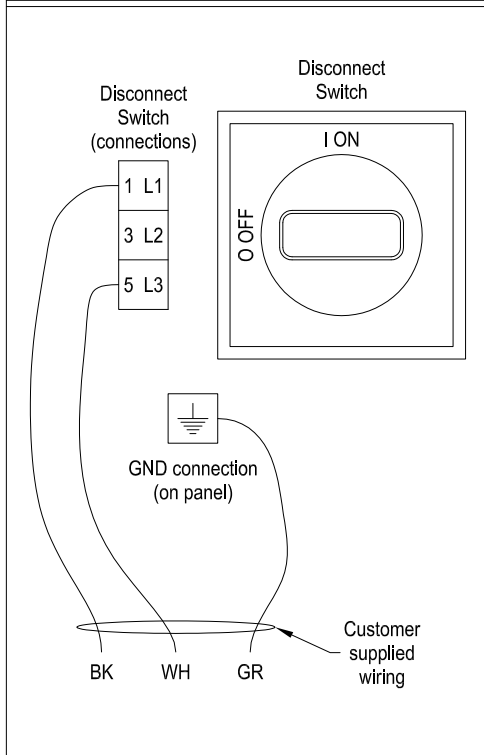
PROJECT INFORMATION

PROJECT NAME:	
-	
MODEL NO.:	T2-HOX
SERIAL NO.:	-
TAG:	-
DATE: 08-2020	SCALE: NONE
DRAWN BY: BMA	
DRAWING NO.:	T2-3400-230-3

115-1-60

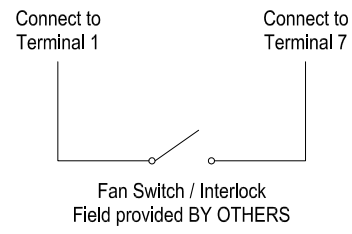
208/230-1-60

208/230/460/575-3-60



Power Connection
(see above for details)

Control Connection
(see below for details)



PROJECT NAME:	NAKS T1-T5 DIRECT FIRED MUA INSTALLATION WIRING		
REF. NO./JOB NO.:	-	MODEL: T1-T5	TAG: -
DRAWN BY:	-	DATE: 06-2020	SCALE: NONE
CERTIFIED BY:		DRAWING NO.:	T1-T5_INSTALL