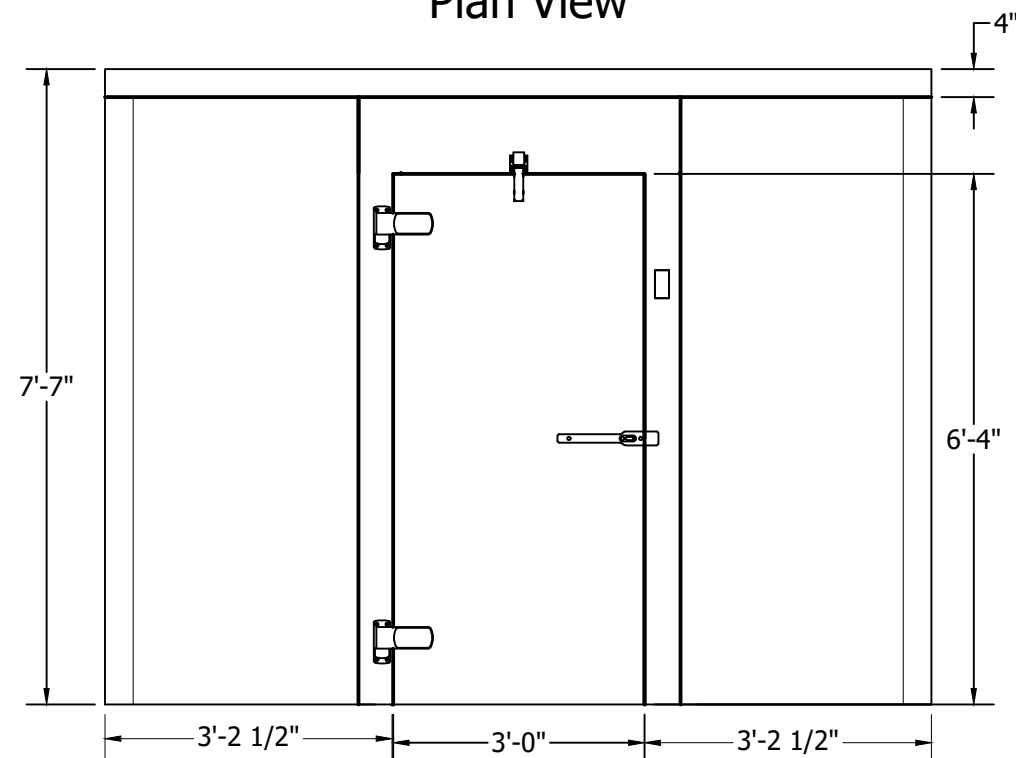


Plan View



Elevation View

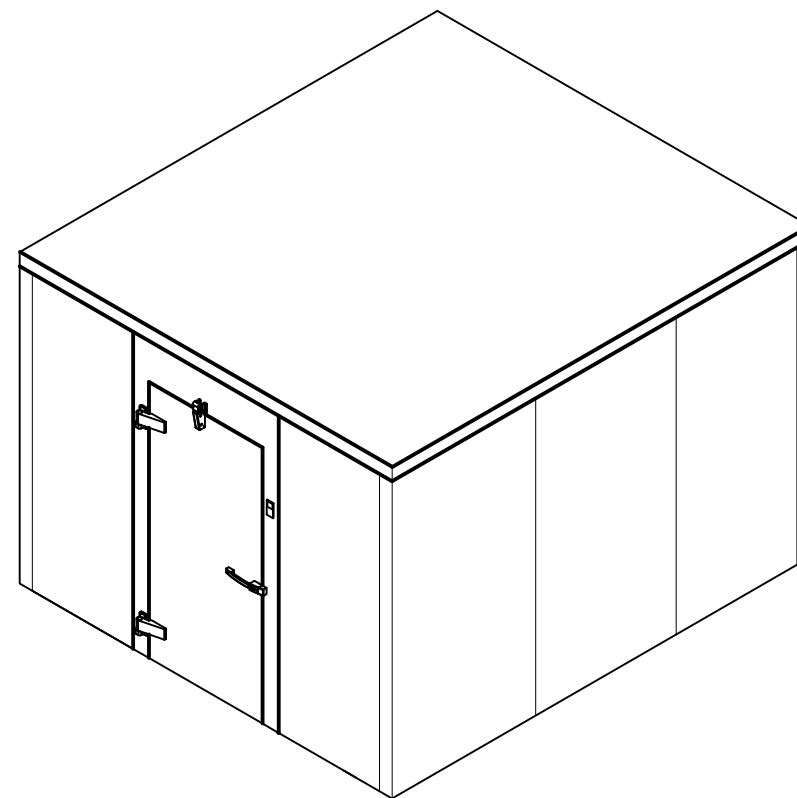
**SPECIFICATIONS**

**BOX HEIGHT:**  
COOLER STANDS 7'-7" & IS FLOORLESS. INTERIOR OF COOLER IS 7'-3" TALL.

**INSULATION:**  
4" THICK EXTRUDED FOAM UL CLASSIFIED CORE, FLAME SPREAD 15, SMOKE RATING LESS THAN 165. R-VALUE MINIMUM OF 28.8 AT 55 DEG F AND 32 AT 20 DEG F.

**DOOR:**  
(1) STANDARD 36" X 76" LEFT OUT-SWING HINGED DOOR W/ HARDWARE. INTERIOR & EXTERIOR FINISH; 24 GA. STUCCO EMBOSSED GALVALUME. DIGITAL LED THERMOMETER WITH PILOT LIGHT SWITCH. 11W, VAPOR PROOF, 120V LED FIXTURE. 82 LUMENS/WATT ANGLED FACE. REQUIRES 115VAC 1 AMP.

**WALL AND CEILING PANELS:**  
INTERIOR & EXTERIOR FINISH; 24 GA EMBOSSED GALVALUME.



Isometric View



NAKS  
172 Reaser Court  
Elyria, OH 44035

GENERAL NOTES

**CUSTOMER'S SIGNATURE FOR APPROVAL OF THE DRAWING. FABRICATION WILL NOT BEGIN UNTIL DRAWING HAS BEEN SIGNED AND RETURNED.**

Signature

Date

REV	REVISION DESCRIPTION	DATE

PART #	Standard 10x10
DESCRIPTION	Walk-In Cooler
PROJECT	NAKS

Drawn By:	AND	Date:	2/15/2021	Sheet Scale:	1/27	Sheet Size:	B
Checked By:	DB	Date:		Sheet:			
Approved By:	DB	Date:		Sheet:			1 OF 1