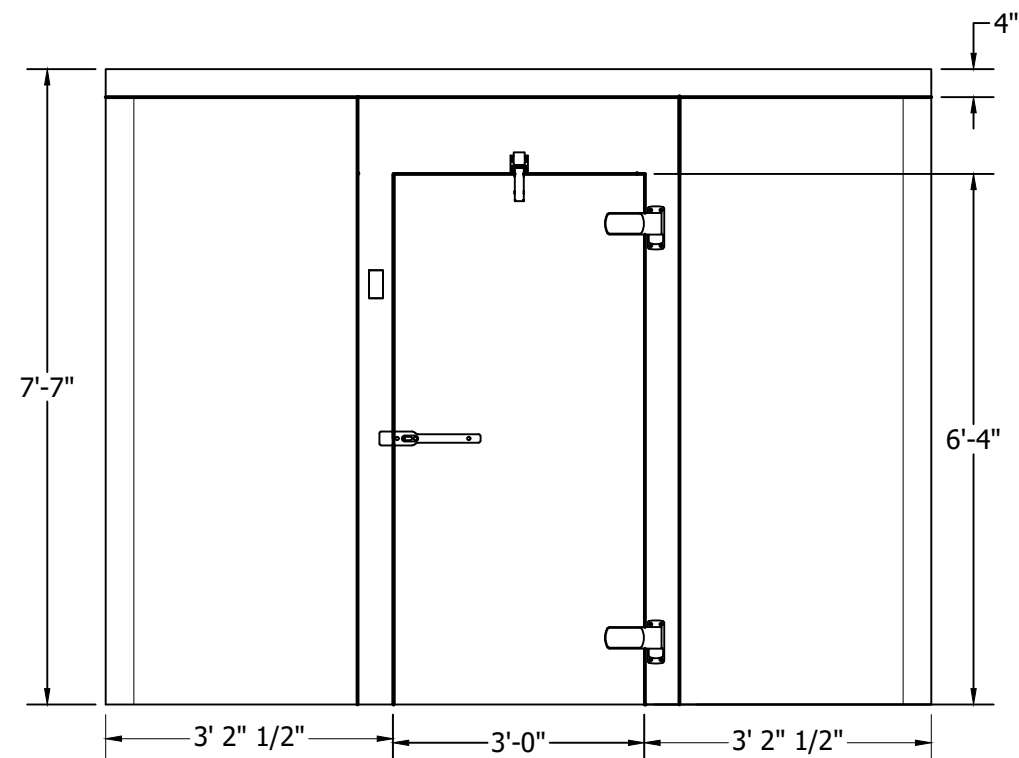


Plan View



Elevation View

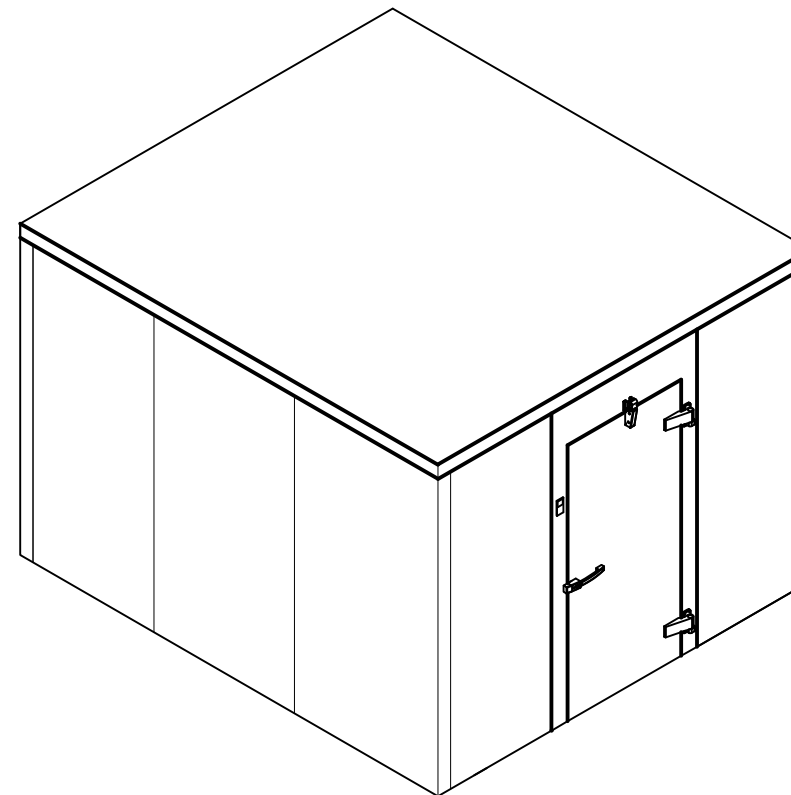
**SPECIFICATIONS**

**BOX HEIGHT:**  
COOLER STANDS 7'-7" & IS FLOORLESS. INTERIOR OF COOLER IS 7'-3" TALL.

**INSULATION:**  
4" THICK EXTRUDED FOAM UL CLASSIFIED CORE, FLAME SPREAD 15, SMOKE RATING LESS THAN 165. R-VALUE MINIMUM OF 28.8 AT 55 DEG F AND 32 AT 20 DEG F.

**DOOR:**  
(1) STANDARD 36" X 76" RIGHT OUT-SWING HINGED DOOR W/ HARDWARE. INTERIOR & EXTERIOR FINISH; 24 GA. STUCCO EMBOSSED GALVALUME. DIGITAL LED THERMOMETER WITH PILOT LIGHT SWITCH. 11W, VAPOR PROOF, 120V LED FIXTURE. 82 LUMENS/WATT ANGLED FACE. REQUIRES 115VAC 1 AMP.

**WALL AND CEILING PANELS:**  
INTERIOR & EXTERIOR FINISH; 24 GA EMBOSSED GALVALUME.



Isometric View



NAKS  
172 Reaser Court  
Elyria, OH 44035

GENERAL NOTES

**CUSTOMER'S SIGNATURE FOR APPROVAL OF THE DRAWING. FABRICATION WILL NOT BEGIN UNTIL DRAWING HAS BEEN SIGNED AND RETURNED.**

Signature

Date

REV	REVISION DESCRIPTION	DATE

PART # Standard 10x10  
DESCRIPTION Walk-In Cooler  
PROJECT NAKS

Drawn By: AND	Date: 2/15/2021	Sheet Scale:	Sheet Size:
Checked By: DB	Date: 1/27	1/27	B
Approved By: DB	Date:	Sheet	1 OF 1