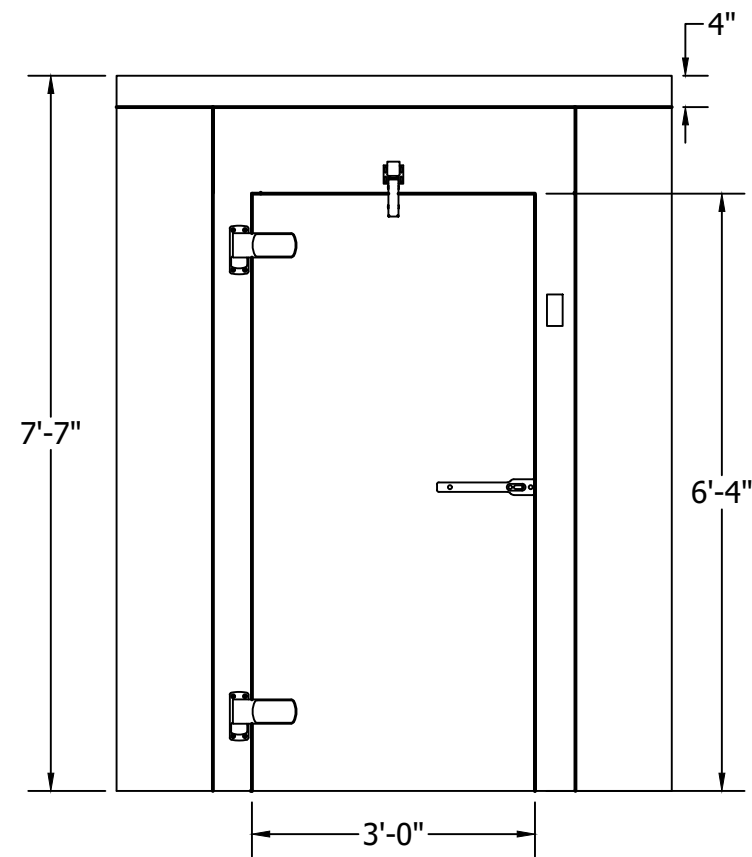
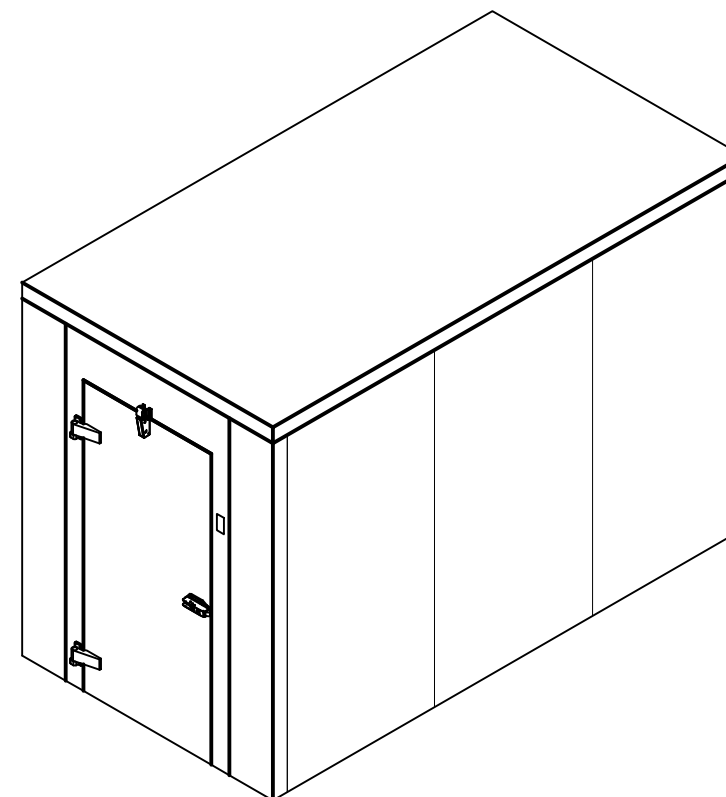


Plan View



Elevation View



Isometric View

SPECIFICATIONS

BOX HEIGHT:
COOLER STANDS 7'-7" & IS FLOORLESS. INTERIOR OF COOLER IS 7'-3" TALL.

INSULATION:
4" THICK EXTRUDED FOAM UL CLASSIFIED CORE, FLAME SPREAD 15, SMOKE RATING LESS THAN 165. R-VALUE MINIMUM OF 28.8 AT 55 DEG F AND 32 AT 20 DEG F.

DOOR:
(1) STANDARD 36" X 76" LEFT OUT-SWING HINGED DOOR W/ HARDWARE. INTERIOR & EXTERIOR FINISH; 24 GA. STUCCO EMBOSSED GALVALUME. DIGITAL LED THERMOMETER WITH PILOT LIGHT SWITCH. 1807 11W, VAPOR PROOF, 120V LED FIXTURE. 82 LUMENS/WATT ANGLED FACE. REQUIRES 115VAC 1 AMP.

WALL PANELS:
INTERIOR & EXTERIOR FINISH; 24 GA EMBOSSED GALVALUME.

CEILING PANELS:
INTERIOR & EXTERIOR FINISH; 24 GA EMBOSSED GALVALUME.

NAKS
172 Reaser Court
Elyria, OH 44035

GENERAL NOTES

CUSTOMER'S SIGNATURE FOR APPROVAL OF THE DRAWING. FABRICATION WILL NOT BEGIN UNTIL DRAWING HAS BEEN SIGNED AND RETURNED.

Signature

Date

REV	REVISION DESCRIPTION	DATE

PART # Standard 6x12
DESCRIPTION Walk-In Cooler
PROJECT NAKS

Drawn By: AND	Date: 2/15/2021	Sheet Scale:	Sheet Size:
Checked By: DB	Date: 1/23	1/23	B
Approved By: DB	Date:	Sheet:	1 OF 1