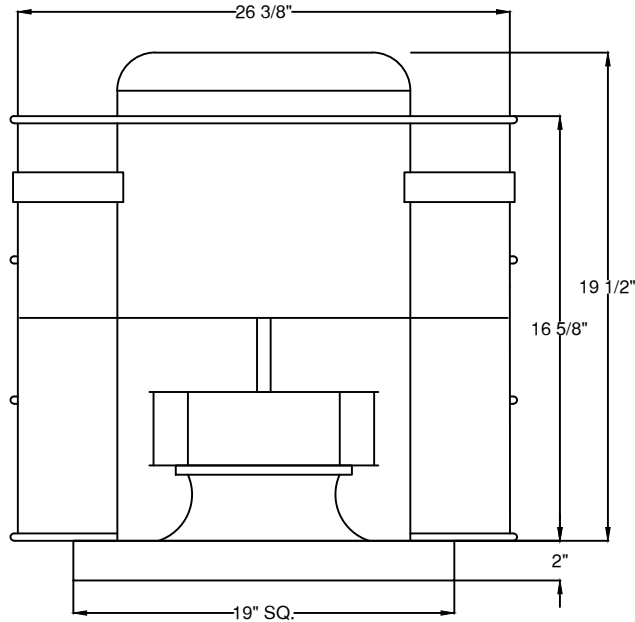
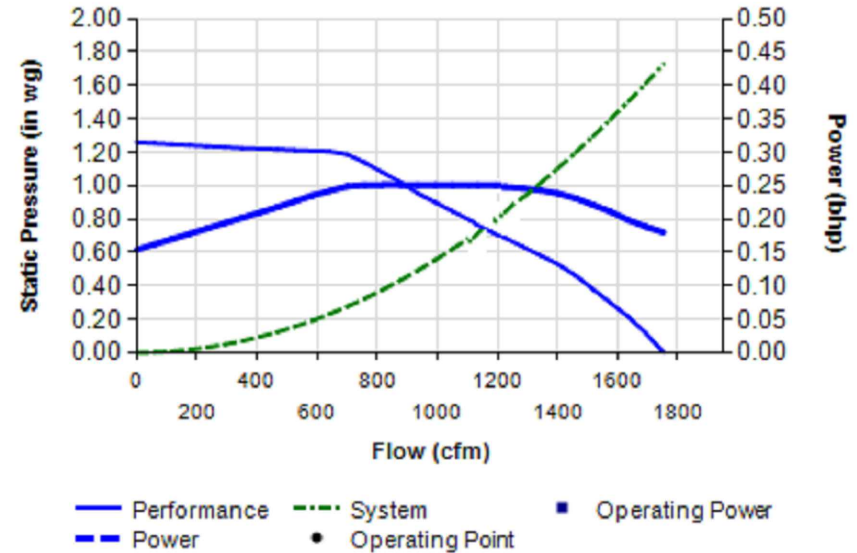


MODEL# **20DH**  
**UL762 UPBLAST EXHAUST FAN  
DIRECT DRIVE**



**DIMENSIONAL DATA**  
17 1/2" SQ. CURB



**PERFORMANCE DATA**

<b>PHASE</b>	1	<b>VOLTS</b>	115
<b>AMPS</b>	2.6	<b>HP</b>	1/4

RPM	.000" S.P.		.125" S.P.		.250" S.P.		.375" S.P.		.50" S.P.		.625" S.P.		.750" S.P.	
	CFM	Sone	CFM	Sone	CFM	Sone	CFM	Sone	CFM	Sone	CFM	Sone	CFM	Sone
1680	1753	13.8	1689	13.7	1611	13.6	1522	13.6	1433	13.5	1295	13.2	1155	13.1

**STANDARD FEATURES**

- HEAVY GAUGE ALUMINUM HOUSING
- 1 YEAR LIMITED WARRANTY ON ALL ELECTRIC MOTORS
- FACTORY SET DRIVE
- DIRECT DRIVEN MOTORS ARE ENCLOSED IN WEATHER-TIGHT COMPARTMENTS
- AVERAGE UNIT WEIGHT: 50 LBS
- AVERAGE SHIPPING WEIGHT: 72 LBS
- HURRICANE RATED



**LISTED**

FANS

**UL 762**

14007 1/20