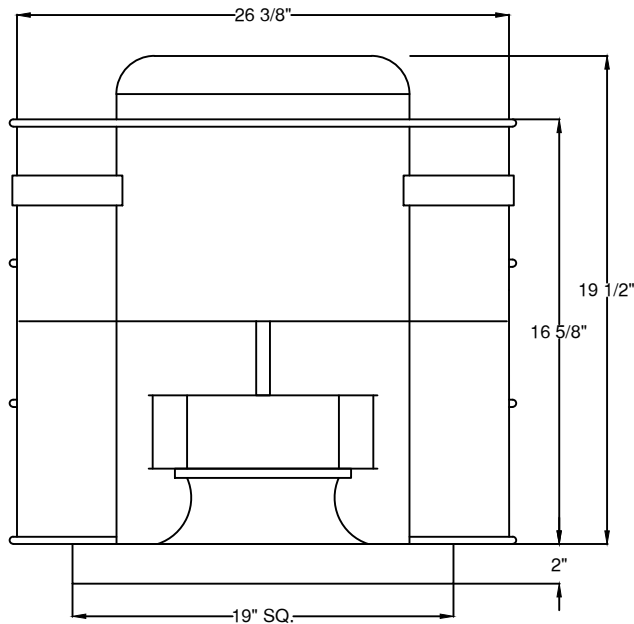
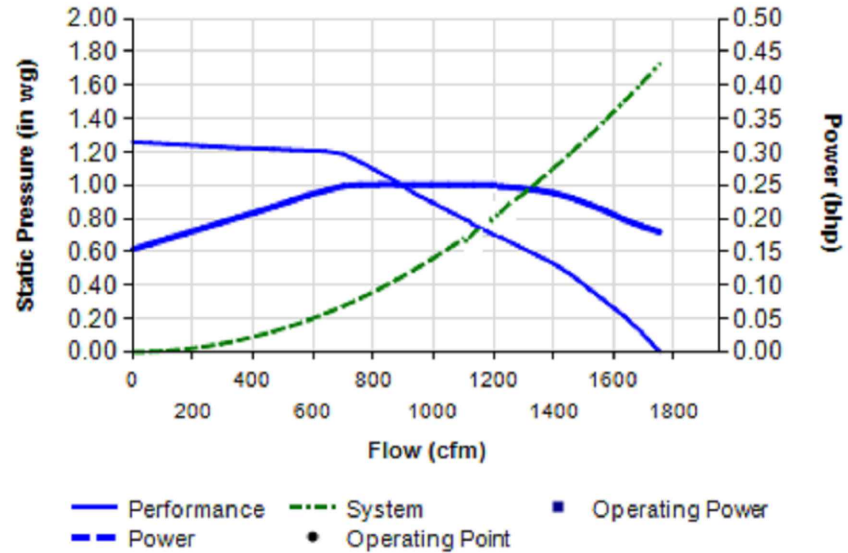


MODEL# **20DS**
**UL762 UPBLAST EXHAUST FAN
DIRECT DRIVE**



DIMENSIONAL DATA
17 1/2" SQ. CURB



PERFORMANCE DATA

PHASE	1	VOLTS	115
AMPS	2.6	HP	1/4

RPM	.000" S.P.		.125" S.P.		.250" S.P.		.375" S.P.		.50" S.P.		.625" S.P.		.750" S.P.	
	CFM	Sone	CFM	Sone	CFM	Sone	CFM	Sone	CFM	Sone	CFM	Sone	CFM	Sone
1680	1753	13.8	1689	13.7	1611	13.6	1522	13.6	1433	13.5	1295	13.2	1155	13.1

STANDARD FEATURES

- HEAVY GAUGE ALUMINUM HOUSING
- 1 YEAR LIMITED WARRANTY ON ALL ELECTRIC MOTORS
- FACTORY SET DRIVE
- DIRECT DRIVEN MOTORS ARE ENCLOSED IN WEATHER-TIGHT COMPARTMENTS
- AVERAGE UNIT WEIGHT: 50 LBS
- AVERAGE SHIPPING WEIGHT: 72 LBS
- MEETS 2009 IBC:SEISMIC



LISTED

FANS
UL 762

14018 1/20