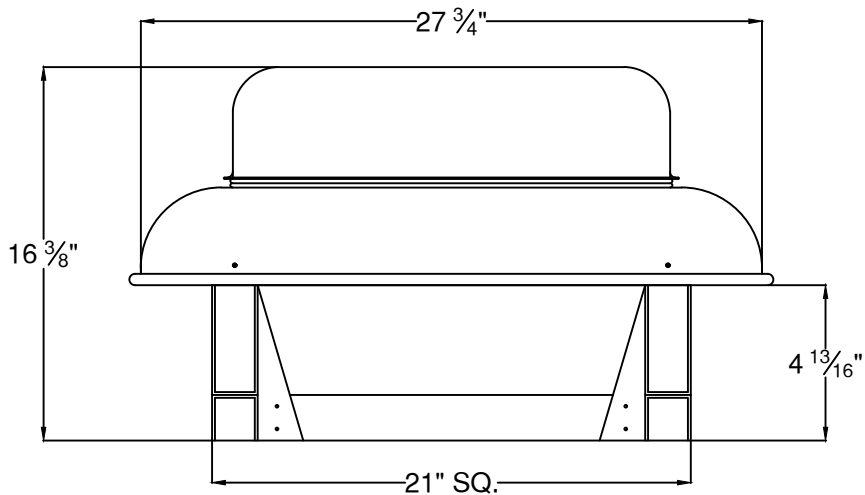
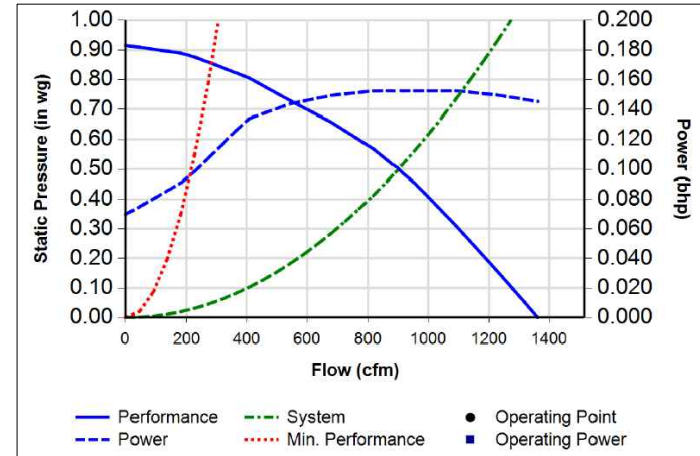


MODEL # 20D-DB

**UL705 DOWNBLAST EXHAUST FAN
DIRECT DRIVE**



DIMENSIONAL DATA
19 1/2" SQ. CURB



PERFORMANCE DATA

PHASE	1	VOLTS	115
AMPS	6	HP	1/4

RPM	.000" S.P.		.125" S.P.		.250" S.P.		.375" S.P.		.50" S.P.		.750" S.P.		1.000" S.P.	
	CFM	Sone	CFM	Sone	CFM	Sone	CFM	Sone	CFM	Sone	CFM	Sone	CFM	Sone
1725	1582	12.1	1489	11.9	1397	9.9	1305	9.8	1195	10.2	932	9.3	578	8.3
1300	1192	7.0	1069	6.6	942	6.1	780	6.0	571	6.0	-	-	-	-
1100	1009	4.8	864	4.6	691	4.1	442	4.0	-	-	-	-	-	-
860	789	3.1	594	3.0	284	2.4	-	-	-	-	-	-	-	-

STANDARD FEATURES

- HEAVY GAUGE ALUMINUM HOUSING
- CONDUIT POST THROUGH BASE'S CURB CAP
- ALUMINUM HOOD
- CORROSION RESISTANT FASTENERS
- GALVANIZED BIRD SCREEN
- CENTRIFUGAL BACKWARDLY INCLINED NON-OVERLOADING ALUMINUM
- HOLLOW AIRFOIL BLADES
- DISCONNECT PLUG
- MOTOR BEARINGS ARE PERMANENTLY LUBRICATED
- 2 YEAR FAN/MOTOR WARRANTY
- AVERAGE UNIT WEIGHT: 37 LBS
- AVERAGE SHIPPING WEIGHT: 45 LBS



LISTED

FANS
UL 705

14029 1/20