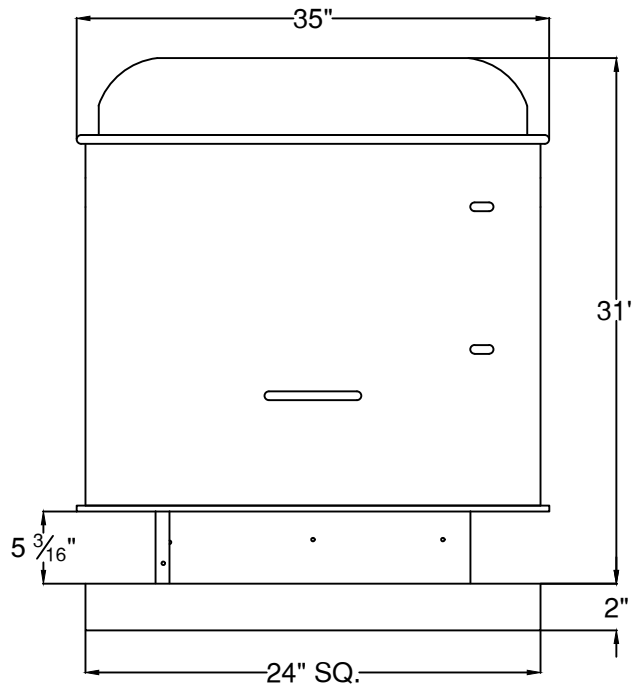
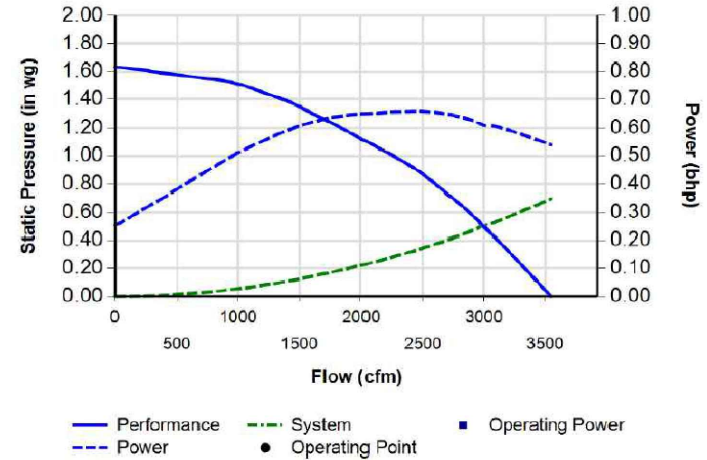


MODEL # 48B-DB

**UL705 DOWNBLAST EXHAUST FAN
BELT DRIVE**



DIMENSIONAL DATA
22 1/2" SQ. CURB



**PERFORMANCE
DATA**

| | | | |
|--------------|---|--------------|-----|
| PHASE | 1 | VOLTS | 115 |
| AMPS | 6 | HP | 3/4 |

| RPM | .000" S.P. | | .125" S.P. | | .250" S.P. | | .375" S.P. | | .50" S.P. | | .625" S.P. | | .750" S.P. | | .875" S.P. | | 1.000" S.P. | |
|------|------------|------|------------|------|------------|------|------------|------|-----------|------|------------|------|------------|------|------------|------|-------------|------|
| | CFM | Sone | CFM | Sone | CFM | Sone | CFM | Sone | CFM | Sone | CFM | Sone | CFM | Sone | CFM | Sone | CFM | Sone |
| 1428 | 3773 | 20 | 3647 | 19 | 3162 | 17.2 | 3018 | 15.8 | 2870 | 15.7 | 2708 | 14.8 | 2527 | 14.5 | 2306 | 13.2 | 2052 | 1139 |

STANDARD FEATURES

- LIFTING POINTS LOCATED ON MOTOR BASE FRAME
- VIBRATION ISOLATION
- ALUMINUM BIRD SCREEN
- CONDUIT POST THROUGH BASE'S CURB CAP
- BACKWARD INCLINED NON-OVERLOADING ALUMINUM WHEEL
- 5 YEAR WARRANTY-MAINTENANCE FREE BEARINGS-PATENTED STEEL
- SHAFT-RATED AT L-50 LIFE OF 200000 HOURS
- VARIABLE PITCH DRIVES DESIGNED FOR 1.5 SERVICE FACTOR
- NEMA 1 DISCONNECTED SWITCH MOUNTED & WIRED
- MOTOR BEARINGS ARE PERMANENTLY LUBRICATED
- 2 YEAR FAN/MOTOR WARRANTY
- AVERAGE UNIT WEIGHT: 115 LBS
- AVERAGE SHIPPING WEIGHT: 122 LBS



FANS
UL 705
14037 2/20