



NAKS DECA series (UL762) is ideally suited for removal of grease laden exhaust found in restaurants and commercial kitchen applications. All DECA models are designed to handle 300°F flare up per UL762 and maintain a minimum 500 FPM air flow in duct. Other applications include a wide range of commercial, industrial, and institutional facilities such as schools hospitals, and assembly areas. Add the wall adapter option and the uses of our DECA models is almost infinite.



CONSTRUCTION FEATURES

Housing

- Windband constructed of heavy gauge aluminum with rolled bead for strength
- Sealed windband perimeter to prevent leakage
- Quick release latches allow easy removal of motor compartment cover without special tools
- Heavy gauge galvanized wire birdscreen
- Aluminum curb cap
- Built in integral drain

Centrifugal Wheel

- Aluminum construction backward curved blade
- Non-overloading design for safe operation
- Wheel optimally matched with die-formed orifice
- Precision balanced for smooth vibration free operation

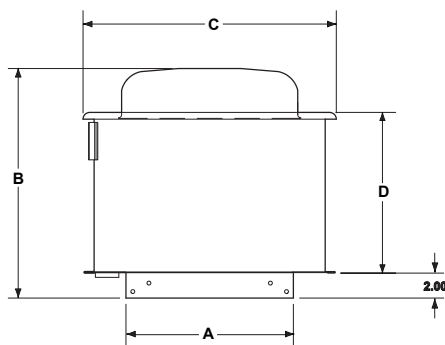
ECM Motors

- ECM motors offer variable speed operation with a 70% energy savings over typical PSC motors
- All motors are available in 115/200-208-230-277 single phase voltage at 60 Hz
- On board speed adjustment dial with LED display to help balance air flowing by setting the RPM
- Motor is located out of the air stream and is cooled by fins located on top of the impeller.
- Large breather tubes directs outside air into the motor compartment at 60 HZ
- Large breather tube directs outside air into the motor compartment resulting in maximum motor life

DIMENSIONS


Fan Model	A	B	C	D	Wheel Diameter	Roof Opening *	Weight (lbs.)	UL762 Curb Height	Curb O.D. Sq.
10DECA	13.50	16.10	20.63	12.84	10.38	9.00	30	28	12.0
20DECA	19.00	19.48	26.41	16.59	12.34	14.50	30	24	17.5
28DECA	19.00	20.87	26.41	16.59	13.88	14.50	50	24	17.5
36DECA	24.00	23.89	30.16	21.92	17.00	19.50	76	18	22.5

*Recommended maximum



OPTIONS/ACCESSORIES

- Roof Curb
- Wall Curb
- Curb mounted grease trough
- Curb Hinge
- NEMA 3R Disconnect
- Birdscreen



NAKS certifies that the DECA Series shown herein are licensed to bear the AMCA seal. The ratings shown are based on tests and procedures performed in accordance with AMCA Publication 211 and AMCA Publication 311 and comply with the requirements of the AMCA Certified Ratings Program.



GREEN SERIES - PREMIUM EFFICIENCY UPBLAST DIRECT DRIVE FANS

PERFORMANCE SPECIFICATIONS & CFM RATINGS

Model	HP	Fan RPM	Static Pressure in Inches WG										
				0.000"	0.125"	0.250"	0.375"	0.500"	0.625"	0.750"	1.000"	1.250"	
10DECA	1/4	300	CFM	213									
			BHP	0.01									
			SONES	0.1									
		1200	CFM	865	749	622	481	347	123				
			BHP	0.04	0.05	0.05	0.05	0.05	0.03				
			SONES	7.1	7.3	6.7	6.6	6.7	5.7				
		1800	CFM	1299	1223	1144	1064	978	887	793	611	385	
			BHP	0.15	0.16	0.16	0.16	0.17	0.17	0.17	0.17	0.15	
			SONES	12.9	13.2	13.4	13.3	12.5	12.4	12.4	12.3	12.3	
20DECA	1/4	300	CFM	310									
			BHP	0.01									
			SONES	0.1									
		1200	CFM	1251	1153	1025	837	651	244				
			BHP	0.07	0.07	0.08	0.09	0.09	0.07				
			SONES	9	8.2	8.2	7.8	8.6	7.7				
		1800	CFM	1798	1738	1663	1576	1488	1366	1230	965	721	
			BHP	0.2	0.2	0.22	0.24	0.25	0.26	0.27	0.27	0.27	
			SONES	14.4	15.1	14.5	14.5	14.1	14	14	16	15.4	
28DECA	1/2	300	CFM	472									
			BHP	0.01									
			SONES	0.3									
		1000	CFM	1585	1445	1302	1124	891					
			BHP	0.07	0.08	0.09	0.1	0.1					
			SONES	7.6	7.5	7.1	6.6	6.6					
		1725	CFM	2735	2654	2572	2491	2410	2327	2242	2050	1784	
			BHP	0.35	0.37	0.39	0.42	0.44	0.46	0.49	0.52	0.54	
			SONES	19.8	19.7	19.5	19.1	18.6	18.4	18.5	18.2	16.7	
36DECA	1	300	CFM	834									
			BHP	0.01									
			SONES	1.1									
		1000	CFM	2793	2616	2438	2252	2022	1729	1442			
			BHP	0.23	0.25	0.28	0.3	0.32	0.32	0.32			
			SONES	14.9	15.1	14.7	13.7	12.9	12.1	12.4			
		1450	CFM	4052	3928	3805	3683	3560	3436	3306	3007	2613	
			BHP	0.7	0.74	0.77	0.8	0.84	0.87	0.9	0.96	0.98	
			SONES	25	25	25	24	24	23	22	22	21	