



Project Name:		Project Location:	
Quote ID:		Item #:	5000
Submitted For:		Submitted On:	
Submitted By:		Submitted From:	
Identity #:	Cooler Evaporator	Tag:	

For Record       For Approval      By: \_\_\_\_\_      Date: \_\_\_\_\_

**General Product Information**

Product Family:	BEL	Motor type	2 SPEED EC
Defrost Type:	Air	Number of Fans:	3
Voltage: (Volts/Ph/Hz)	115/1/60	Fan HorsePower	1/20
Refrigerant Type:	R404A	Fins per Inch	6

**Technical Information**

*Performance Data*

Capacity			Air Flow				Altitude (ft)	AWEF Value	
TD (°F)	SST (°F)	Capacity (BTU/H)	CFM	Fan Diameter (ft)	Air Throw (ft)			Cooler >=32	Freezer < 32
					Standard	w/Collar			
10	25.0	9,650	1,958	12			0	9	N/A

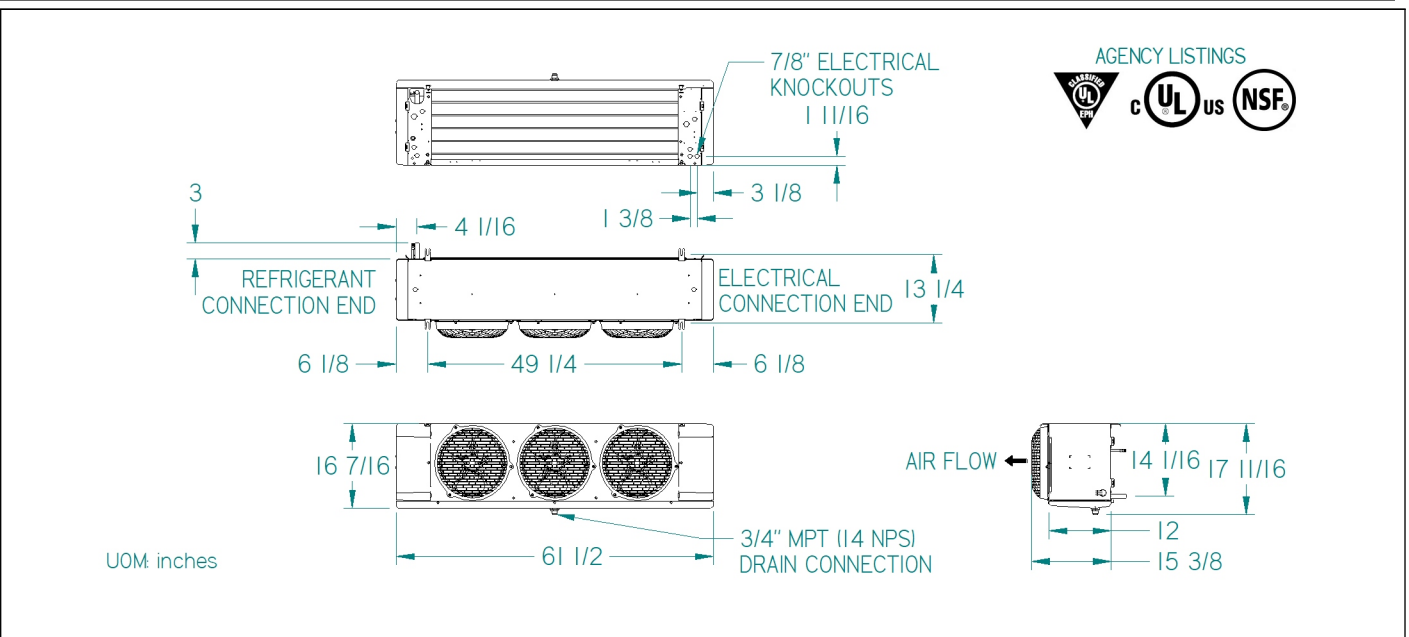
*Electrical Data*

Fan Motor(s)		Defrost Heater(s)		Drain Pan Heater(s)	
Watts	Amps	Watts	Amps	Watts	Amps
165	2.7				

*Unit Specifications*

Connections (in.)						Approx. Net Weight (lbs)
Coil Inlet	Suction	External Equalizer	Drain	Side Port	Hot Gas Drain Pan	
1/2	7/8	1/4	3/4			67

*Dimensional Drawing(s)*



Project Name:		Project Location:	
Quote ID:		Item #:	5000
Submitted For:		Submitted On:	
Submitted By:		Submitted From:	
Identity #:	Cooler Evaporator	Tag:	

## Standard Features

### EASE OF INSTALLATION SERVICE

- ALL ELECTRICAL COMPONENTS FACTORY WIRED TO TERMINAL BOARD AND IDENTIFIED, MAKING IT EASY TO FIELD WIRE THE UNIT
- CABINET DESIGN FEATURES HINGED, REMOVABLE FRONT ACCESS PANELS ON EACH SIDE FOR EASY ACCESS TO ELECTRICAL AND REFRIGERATION COMPONENTS
- LIQUID LINE SOLENOID WIRE HARNESS IS FACTORY-INSTALLED FOR QUICK INSTALLATION
- MOTORS PLUG INTO WIRING HARNESS FOR EASIER SERVICING
- HINGED, REMOVABLE DRAIN PAN FOR EASY AND SAFE ACCESS
- PRE-DRILLED HOLES ON THE BACK OF THE UNIT FOR ROOM THERMOSTAT
- QUICK REMOVAL FAN GUARD/MOTOR ASSEMBLY FOR EASY SERVICE OR REPLACEMENT OF AIR MOVER PARTS

### RELIABLE DURABLE

- HEAVY GAUGE GRAINED ALUMINUM CABINET CLEANS EASILY AND LOOKS ATTRACTIVE
- MOLDED FAN GUARD AND ACCESS PANELS ARE MADE OF STRONG, DURABLE, AND NSF AND UL SANITATION RATED PLASTIC MATERIAL
- SWEAT CONNECTIONS TO REDUCE POTENTIAL FOR LEAKS

### PERFORMANCE

- INTERNAL PANELS ARE ISOLATED FOR QUIET OPERATION
- INTERNALLY ENHANCED TUBING AND FIN DESIGN FOR HIGHER EFFICIENCY
- EC MOTORS STANDARD ON ALL MODELS FOR IMPROVED UNIT EFFICIENCY

### VERSATILE

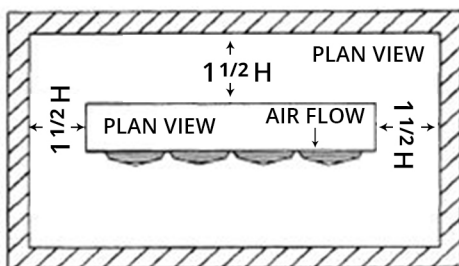
- LARGE DIAMETER DRAIN HOLE (3/4" ID) IS LOCATED TOWARDS THE BACK OF THE UNIT
- MINIMAL HEIGHT OF THE LOW PROFILE SERIES MAKES IT IDEAL FOR LOW CEILING COOLERS

## Options

### Mounted Options

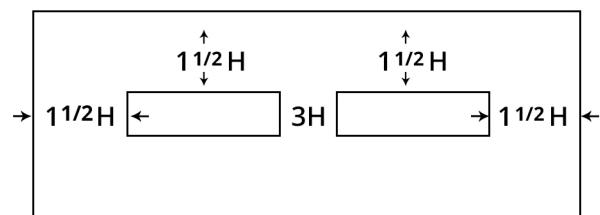
- Refrigerant Bundle - R404A
- Motor - 2 Speed EC
- Defrost Type - Air
- Fan Blade - Standard
- Cabinet Type - Stucco
- Controller Option - Mechanical Thermostat
- Solenoid Voltage - 115
- Coil Mechanical Option - Mounted Sporlan TXV / Std Sol Mounted [BBISE-1-C / L-3/4]
- Brand Label - BOHN
- Voltage - 115/1/60
- DTFD Option - None
- Fan Guard - Molded
- Drain Pan Type - Stucco
- Defrost Control - None
- Fin Material - Aluminum

## Minimum Unit Clearances



One Evaporator

**NOTE:**  
H = Total Height evaporator coil surface.



Two Evaporators