

1

2

3

4

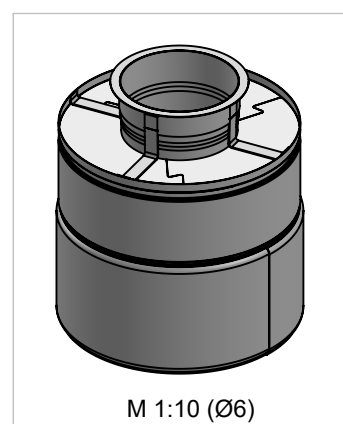
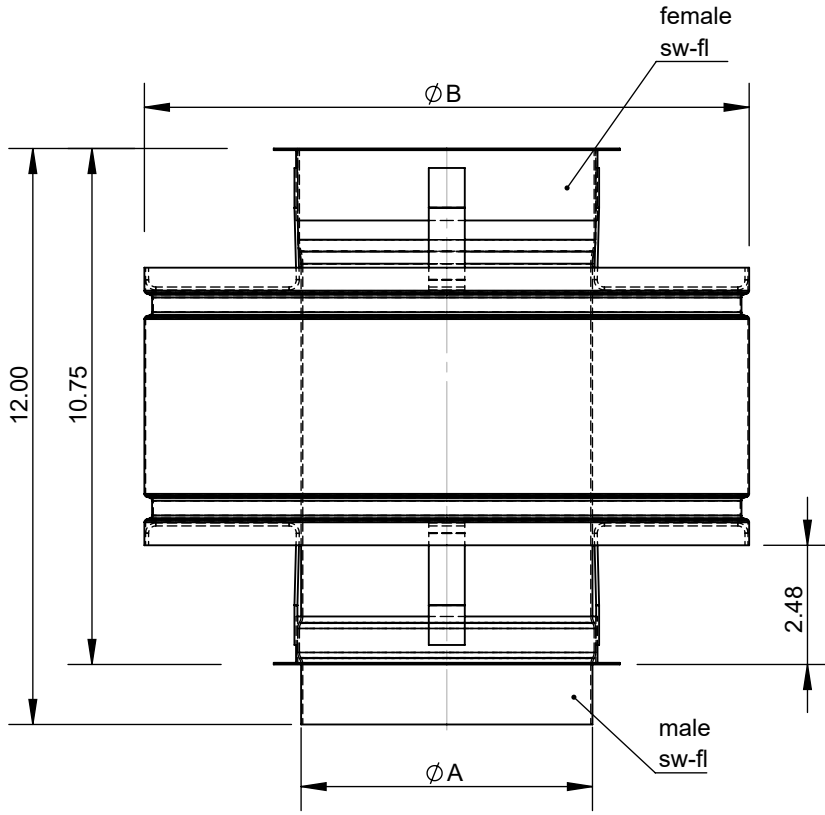
A

B

C



D

E



M 1:10 (Ø6)

Ø	10	12	14	16	18	20	22
A	10	12	14	16	18	20	22
B	16.5	18.5	20.5	22.5	24.5	26.5	28.5
lb	20.81	23.83	27.16	30.18	33.20	36.21	40.79

material: inside/outside	surface: inside/outside	inch / lb			 NORTH AMERICAN KITCHEN SOLUTIONS INCORPORATED	scale	
		revisions-no.				description 12" Fixed Length	format US LETTER
		date	name				sheet
		drawn by					
		checked by					
approved by			code DWNAKSØ-12L				
modified by			drawing no.				

© NAKS Inc. All rights reserved, also regarding any disposal, exploitation, editing, distribution, as well as in the event of applications for industrial property rights.