

1

2

3

4

A

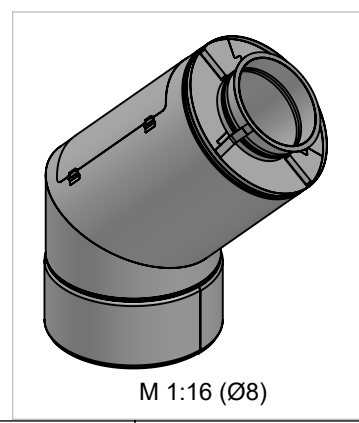
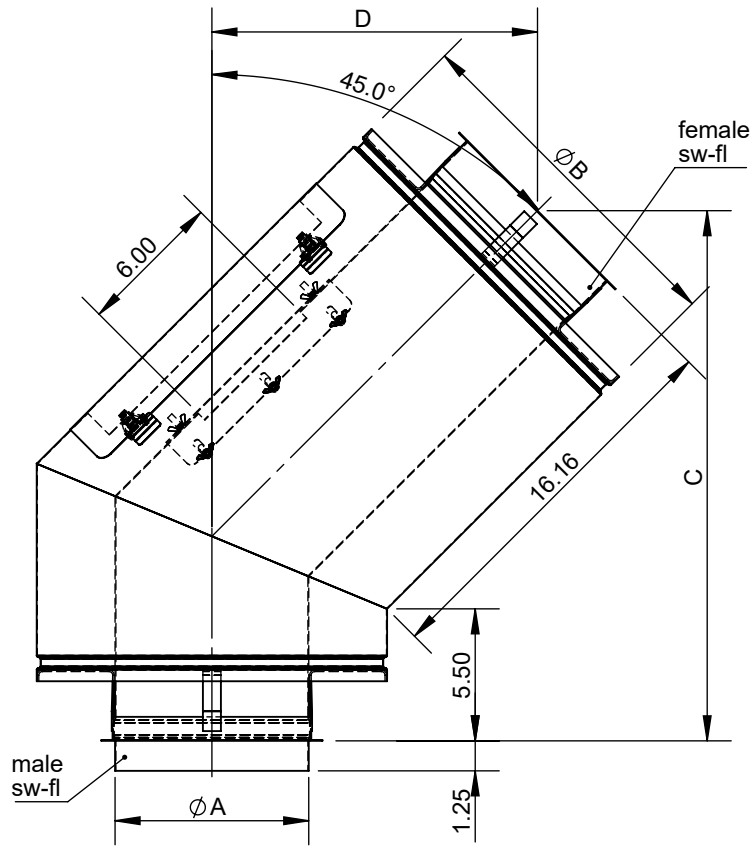
B

C



D

E

F



Ø	10	12	14	16	18	20	22
A	10	12	14	16	18	20	22
B	16.5	18.5	20.5	22.5	24.5	26.5	28.5
C	22.8	23.5	24.22	24.92	25.63	26.34	27.04
D	13.86	14.15	14.45	14.74	15.03	15.33	15.62
lb	48.09	56.51	70.46	80.25	90.44	101.21	112.21

material: inside/outside	surface: inside/outside	inch / lb			 NORTH AMERICAN KITCHEN SOLUTIONS INCORPORATED	scale
		revisions-no.				description 45 Degree Elbow w/ Access
		date	name	code DWNAKSØ-45EA	drawing no.	sheet
		drawn by				
		checked by				
		approved by				
		modified by				

© NAKS Inc. All rights reserved, also regarding any disposal, exploitation, editing, distribution, as well as in the event of applications for industrial property rights.