

1

2

3

4

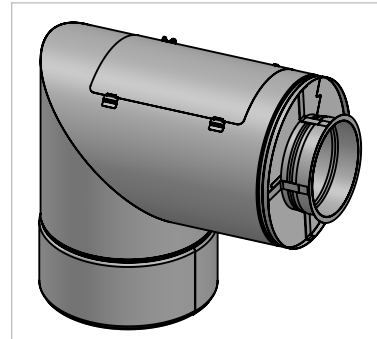
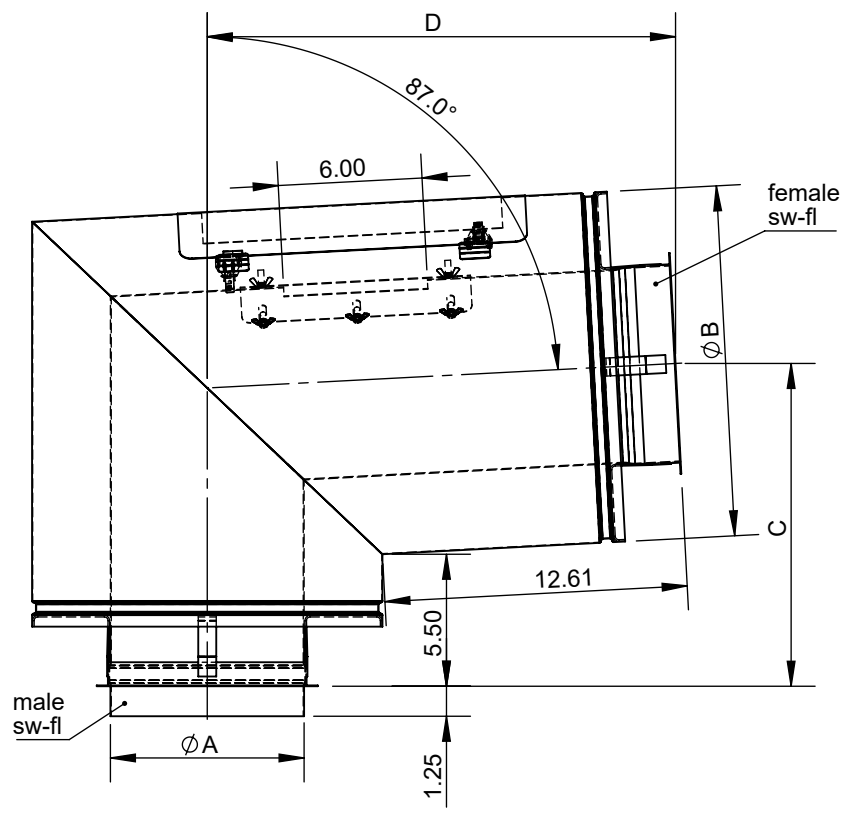
A

B

C



D

E



M 1:16 (Ø8)

Ø	10	12	14	16	18	20	22
A	10	12	14	16	18	20	22
B	16.5	18.5	20.5	22.5	24.5	26.5	28.5
C	14.45	15.45	16.45	17.45	18.45	19.45	20.45
D	20.46	21.41	22.36	23.31	24.26	25.2	26.15
lb	55.90	67.33	86.16	100.27	115.30	131.43	148.31

material: inside/outside surface: inside/outside	inch / lb		 NORTH AMERICAN KITCHEN SOLUTIONS INCORPORATED	scale	
	revisions-no.			format US LETTER	
	date	name		description 87 Elbow w/ Access	sheet
	drawn by			code DWNAKSØ-87EA	
	checked by			drawing no.	
approved by					
modified by					

© NAKS Inc. All rights reserved, also regarding any disposal, exploitation, editing, distribution, as well as in the event of applications for industrial property rights.