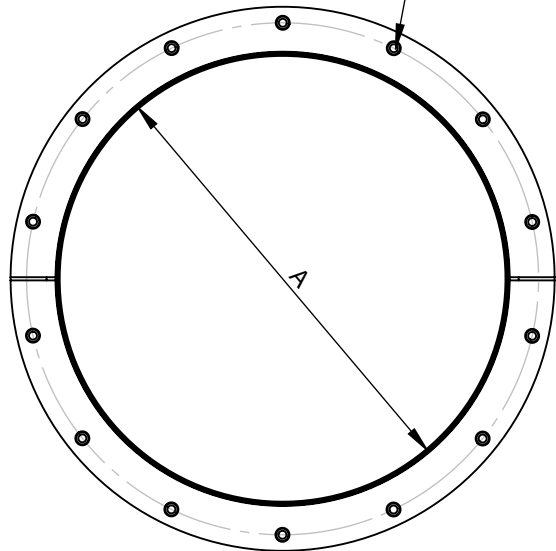


1 2 3 4

1/4" X 1" BOLTS

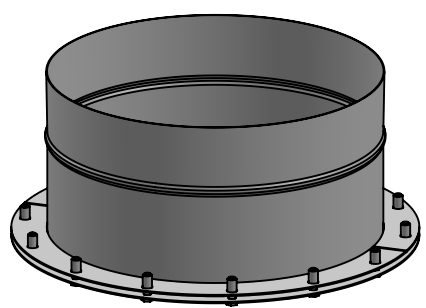
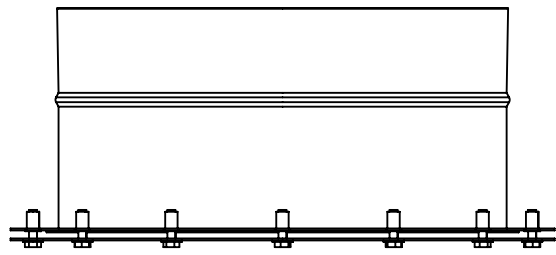
A



B



C

D



E

| | | | | | | | | | |
|---|----|----|----|----|----|----|----|----|----|
| Ø | 10 | 11 | 12 | 13 | 14 | 16 | 18 | 20 | 22 |
| A | 10 | 11 | 12 | 13 | 14 | 16 | 18 | 20 | 22 |

| | | | | | | | |
|-----------------------------|-----|----------------------------|----|---------------|------|--|---|
| material: inside/outside | 304 | surface: inside/outside | BA | inch / lb | |  NORTH AMERICAN KITCHEN SOLUTIONS INCORPORATED | scale |
| | | | | revisions-no. | | | format US LETTER |
| | | | | date | name | description No Weld Hood Adapter | sheet |
| | | | | drawn by | | | code SWNAKSØ-NWHA |
| | | | | checked by | | | drawing no. |
| | | | | approved by | | | |
| | | | | modified by | | |  |

© NAKS Inc. All rights reserved, also regarding any disposal, exploitation, editing, distribution, as well as in the event of applications for industrial property rights.