

**SPECIFICATIONS**

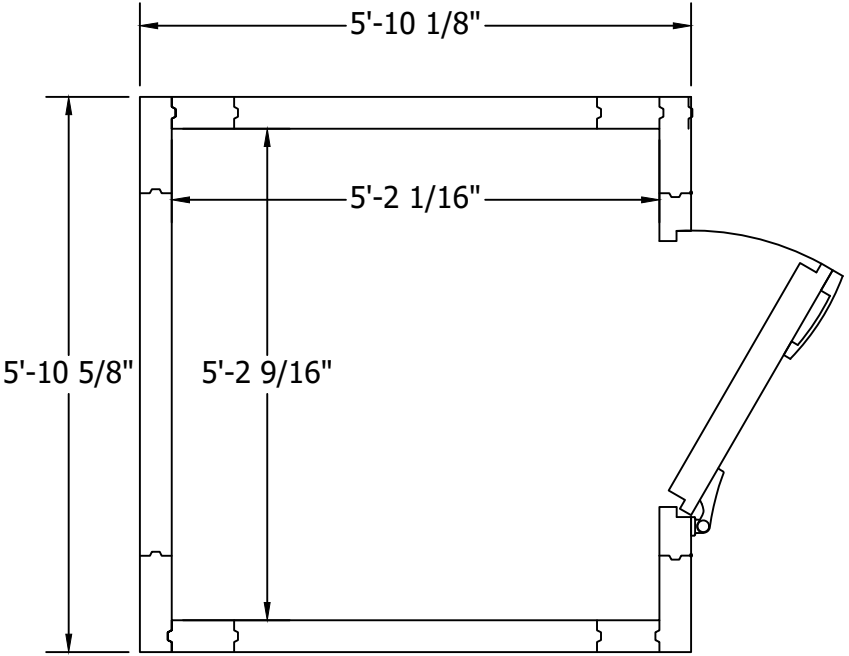
**BOX HEIGHT:**  
COOLER STANDS 7'-7" & IS FLOORLESS. INTERIOR OF COOLER IS 7'-3" TALL.

**INSULATION:**  
4" THICK EXTRUDED FOAM UL CLASSIFIED CORE, FLAME SPREAD 15, SMOKE RATING LESS THAN 165. R-VALUE MINIMUM OF 28.8 AT 55 DEG F AND 32 AT 20 DEG F.

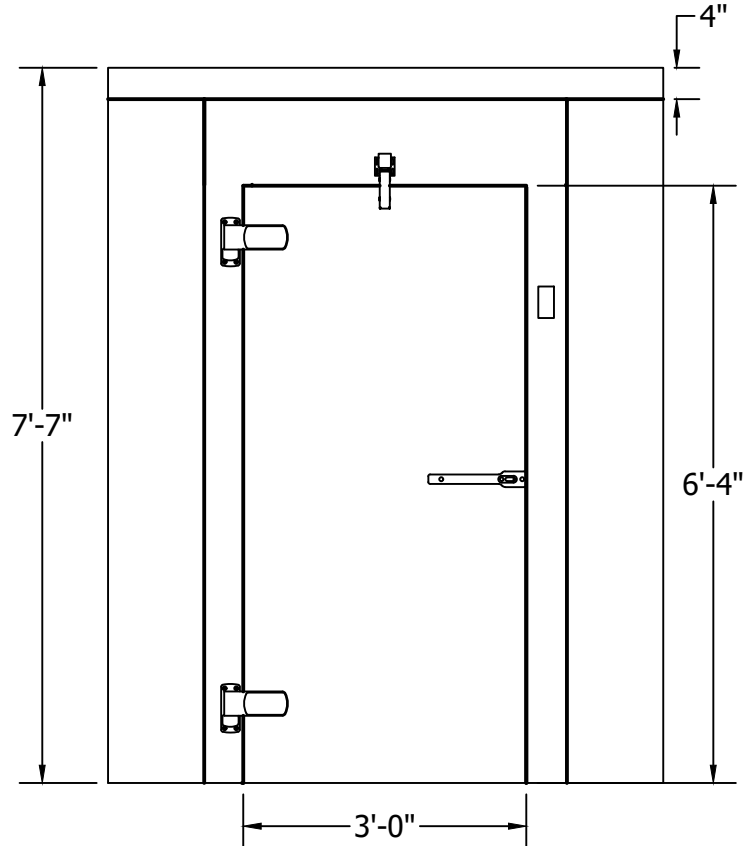
**DOOR:**  
(1) STANDARD 36" X 76" LEFT OUT-SWING HINGED DOOR W/ HARDWARE. INTERIOR & EXTERIOR FINISH; 24 GA. STUCCO EMBOSSED GALVALUME. DIGITAL LED THERMOMETER WITH PILOT LIGHT SWITCH. 1807 11W, VAPOR PROOF, 120V LED FIXTURE. 82 LUMENS/WATT ANGLED FACE. REQUIRES 115VAC 1 AMP.

**WALL PANELS:**  
INTERIOR & EXTERIOR FINISH; 24 GA EMBOSSED GALVALUME.

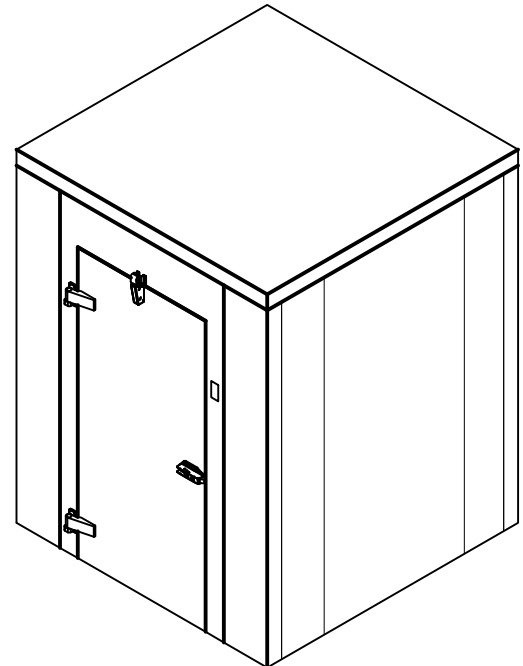
**CEILING PANELS:**  
INTERIOR & EXTERIOR FINISH; 24 GA EMBOSSED GALVALUME.



Plan View



Elevation View



Isometric View

NAKS  
172 Reaser Court  
Elyria, OH 44035

**GENERAL NOTES**

**CUSTOMER'S SIGNATURE FOR APPROVAL OF THE DRAWING. FABRICATION WILL NOT BEGIN UNTIL DRAWING HAS BEEN SIGNED AND RETURNED.**

Signature

Date

| REV | REVISION DESCRIPTION | DATE |
|-----|----------------------|------|
|     |                      |      |

|                                   |                        |                          |                      |
|-----------------------------------|------------------------|--------------------------|----------------------|
| <b>PART #</b> Standard 6x6        |                        |                          |                      |
| <b>DESCRIPTION</b> Walk-In Cooler |                        |                          |                      |
| <b>PROJECT</b> NAKS               |                        |                          |                      |
| <b>Drawn By:</b> AND              | <b>Date:</b> 2/15/2021 |                          |                      |
| <b>Checked By:</b> DB             | <b>Date:</b> 1/23      | <b>Sheet Scale:</b> 1/23 | <b>Sheet Size:</b> B |
| <b>Approved By:</b> DB            | <b>Date:</b>           | <b>Sheet:</b> 1          | <b>OF 1</b>          |