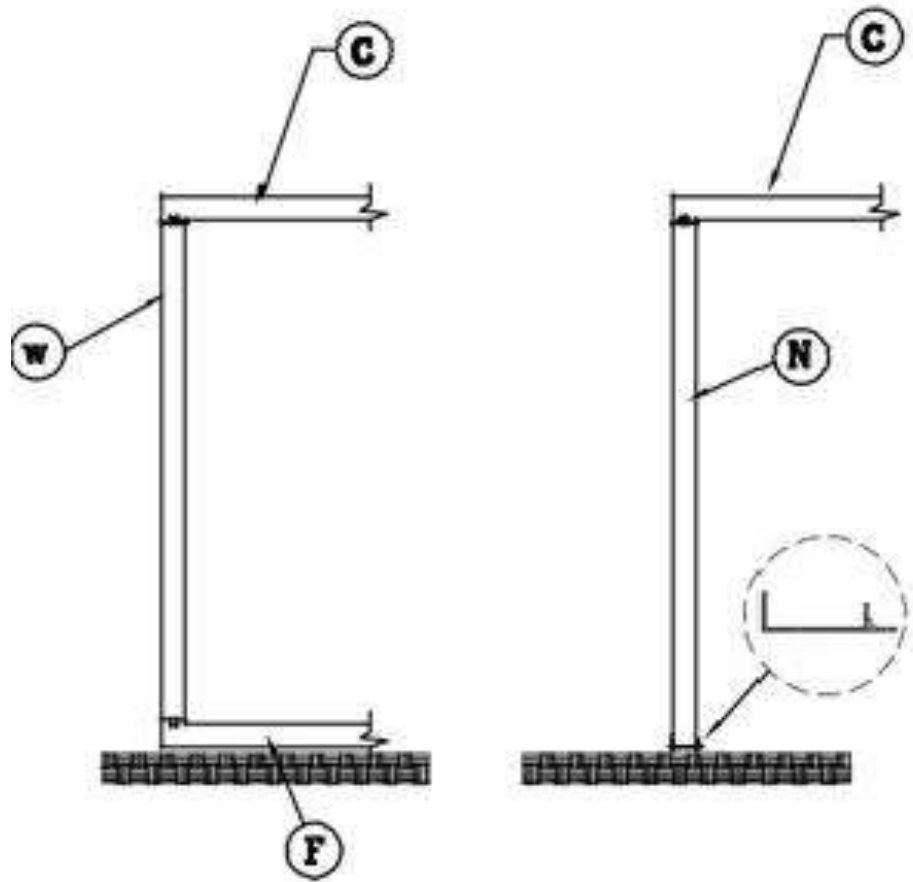


NAKS STEP BY STEP EASY INSTALLATION

Enclosed with the Installation manual there is a setup drawing, showing the identification and proper placement of your Walk-In.

Panels, Ceilings, Doors and Floors code reads as follows:

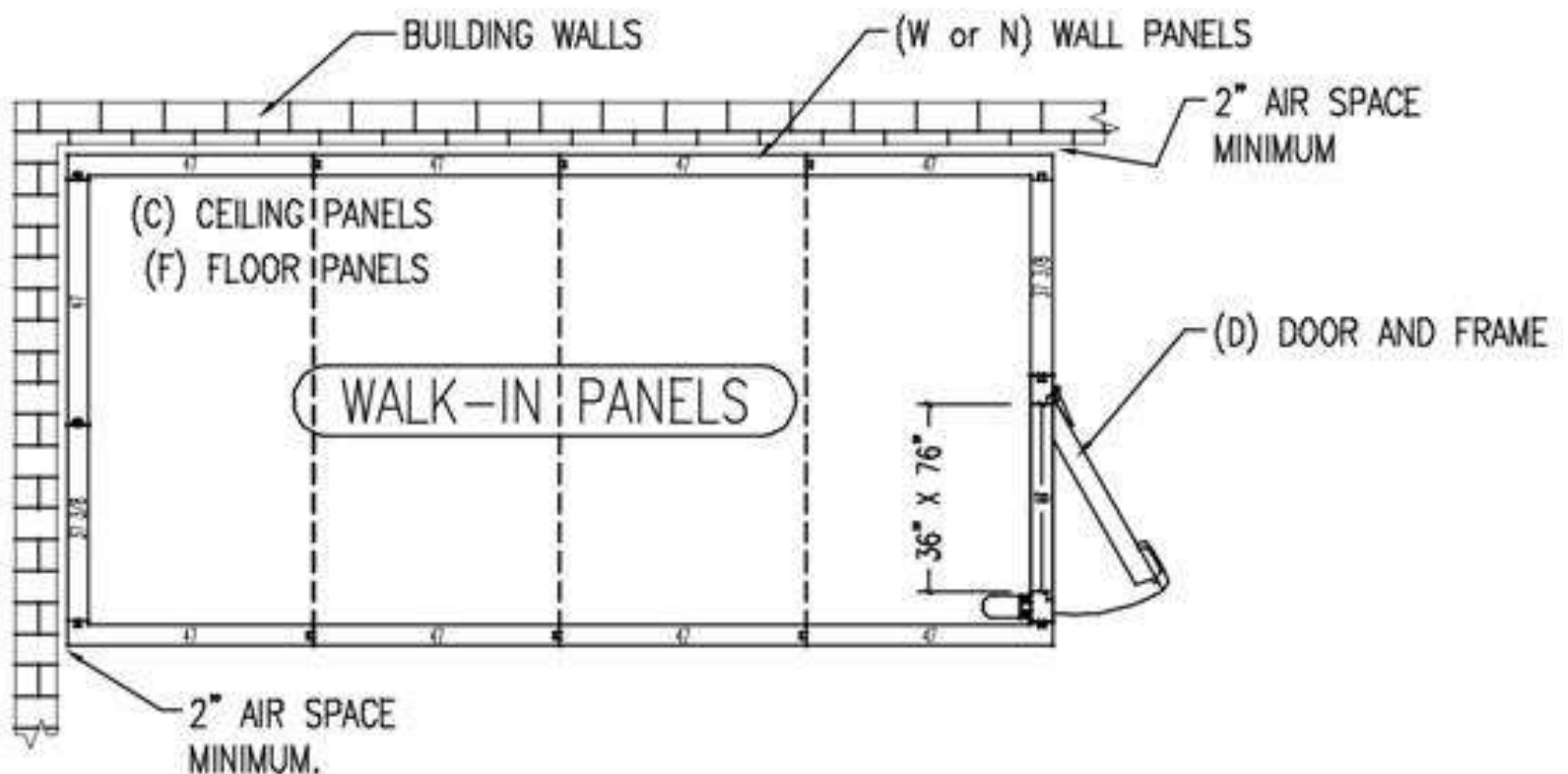
- W** - Wall Panels with floor panels.
- N** - Wall Panels without floor.
- C** - Ceiling Panels.
- F** - Floor Panels.
- D** - Door and Door Frame.
- H** - Header Panels.
- T** - Top Header on Glass Doors.
- B** - Bottom Sill on Glass Doors.



(See drawings attachment)

Having a successful installation begins with having a level concrete floor. If the floor is not level, it will be necessary to install shims under each floor panel cam-lock. If the Walk-In does not have floor panels, then under the Walk-In's (Wall panels) Vinyl screed.

A minimum of 2" clearance between existing building walls and Walk-In is necessary for proper air circulation.



INSTALLATION MANUAL

WALK-IN INSTALLATION WITH FLOOR



1- Set the floor panels according to the setup drawing.

(All panels have labels, and are identified in the shop drawing)

2- Make sure that all floor panels are level. If not, using shims under cam-locks of the floor around the outside edge is suggested to level floor panels.

3- After all floor panels are level, firmly and securely lock all floor panels together with a hex wrench. Turn it clockwise approximately 3/4 of a full turn and repeat until all floor panels are securely locked together.



4- Begin with two corner panels and secure to floor panels to start making a corner. Make sure that the top of each wall panel is flush with each other.



5- Select next adjacent wall panel(s) towards opposite corner of same floor panel.



6- Finish corner by installing ceiling panel, and continue assembling in floor / wall / ceiling in "rings."



NOTE: DO NOT REMOVE DOOR FROM FRAME

7- Door frame must be level and flush on top with adjacent wall panels. Measure the top and bottom of the door opening to make sure the measurements are equal. See page 8 for details.



8- Repeat steps 4 and 5.



9- Install the last ceiling panel to close the box.



10- Cover wrench holes with plastic buttons.



Installation Completed

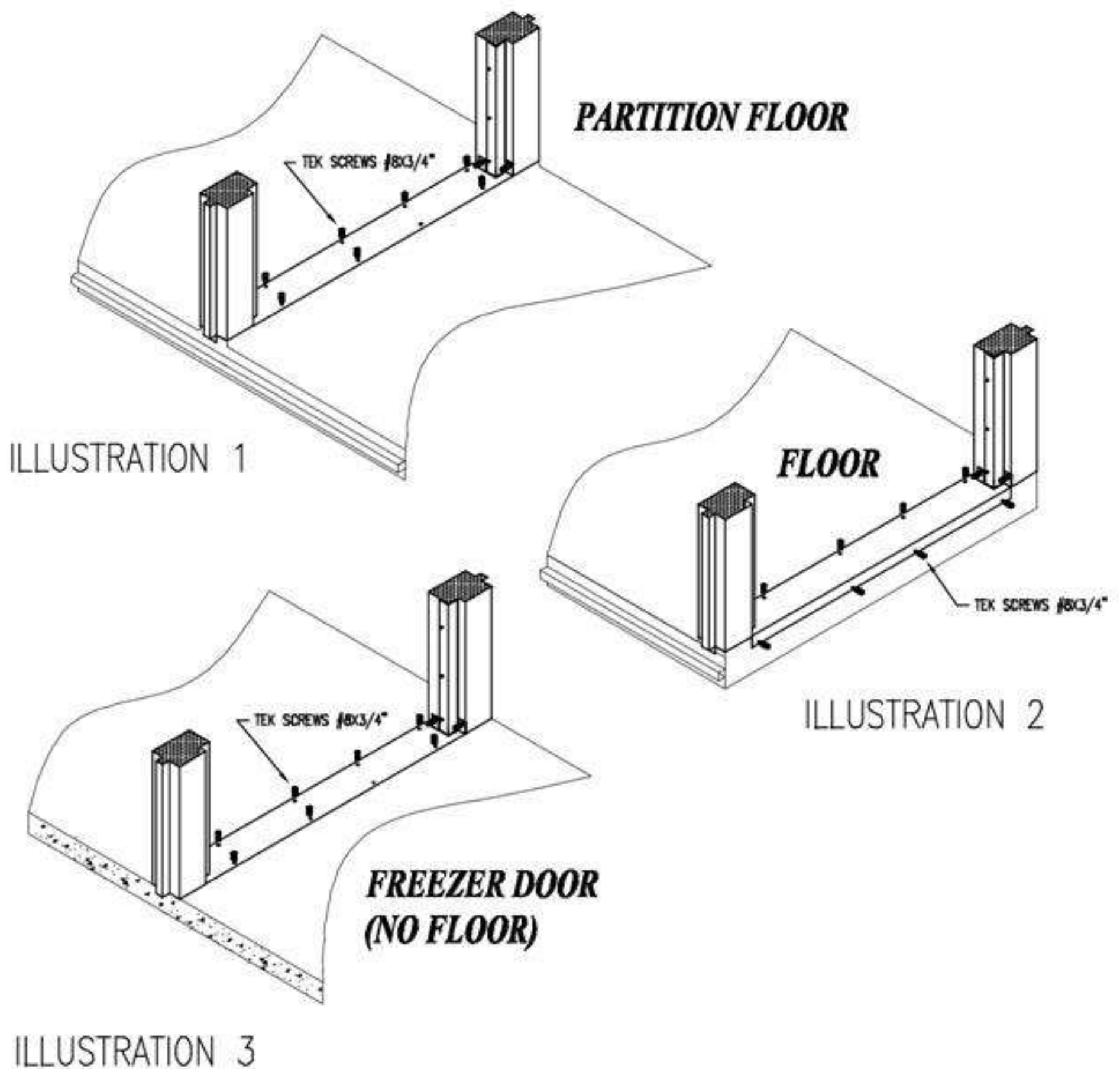
SECURING DOOR SILL PLATE (THRESHOLD) TO FLOOR

ACROSS THE BOTTOM OF EACH DOOR OPENING IS A STAINLESS STEEL THRESHOLD.

INSTALL THRESHOLD AND DRILL 3/16" DIAMETER HOLES THROUGH PRE-DRILLED HOLES IN THRESHOLD PLATE.

SECURE WITH STAINLESS STEEL FLAT HEAD SCREWS PROVIDED IN THE HARDWARE KIT.
(See Illustration 1-3)

Note: Cooler with No Floor will not have threshold



INSTALLATION MANUAL

172 REASER COURT, ELYRIA, OH 44035
FAX (440) 365-2100
TEL.(440)365-4567 TOLL FREE 1(800)854-3267

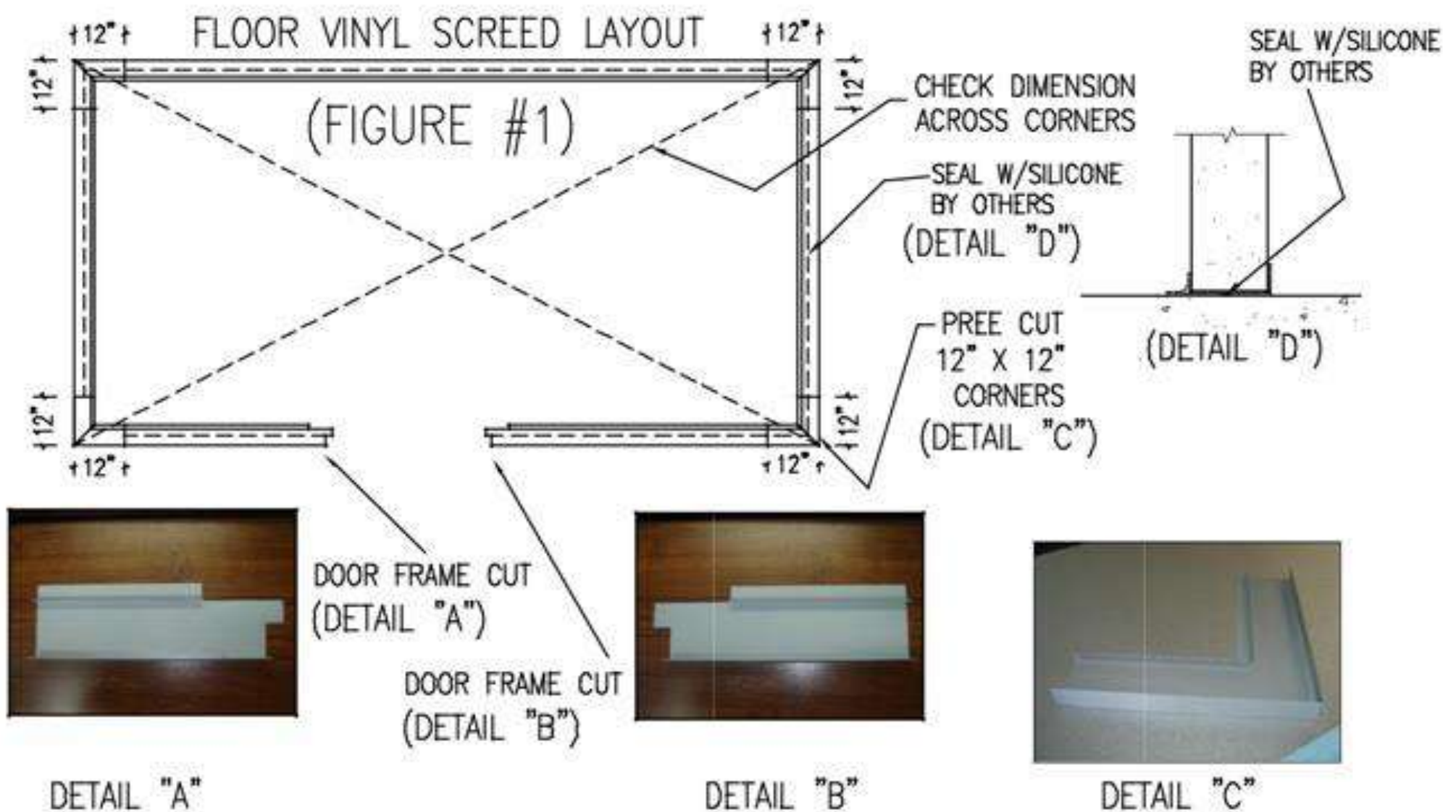
DRW BY: DATE: 2019

REVISIONS:

SHEET: 4 OF 10

WALK-IN INSTALLATION WITH NO FLOOR

1-USE A CHALK LINE TO MARK THE INSTALLATION AREA TO THE DIMENSIONS OF THE WALK-IN AS SHOWN IN THE DRAWING. (SEE FIGURE #1) MEASURE DIAGONALLY FROM CORNER TO CORNER TO BE SURE THE FLOOR VINYL SCREEDS IS SQUARE. (SEE FIGURE #1)



2-APPLY A BEAD OF SILICONE ALONG THE BOTTOM OF THE VINYL SCREED. THEN PLACE THE VINYL SCREED ALONG THE CHALK LINES.

(NOTE: LEAVE THE VINYL SCREED LOOSE UNTIL THE WALK-IN IS ASSEMBLED.)

(See Figure 2, page 7 for details)



3 - Seal with silicone both the inside and outside edges of the wall panels.

4 - Begin with two corner panels and secure to start making a corner.

WALK-IN INSTALLATION WITH NO FLOOR



5 - Select next joining panels to form next opposite walk-in corner.



6 - Install shims under vinyl screed corners and across as needed to ensure support panel joints and levelness of panel.



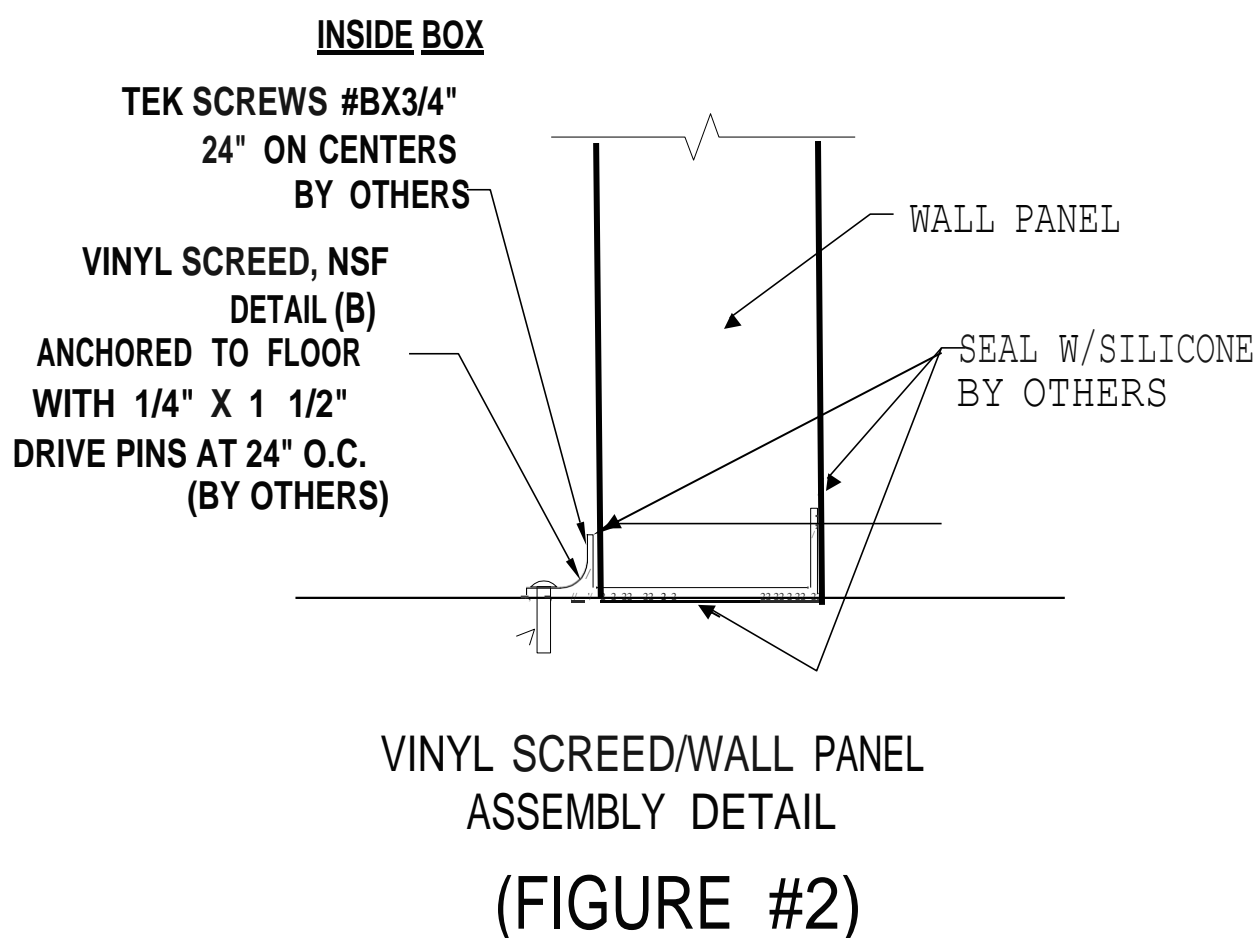
7- Begin at one end of the walk-in, positioning roof panels, locking them to adjacent wall panels, and continue assembling in “rings.”



8 - Make sure that the top of each wall panel is flush with one another.

9- Once the entire walk-in is assembled, then secure the vinyl screed to the floor by using a 1/4" pin-grip under all walls and door frame legs.

10- Seal with silicone both the inside and the outside edges of the wall panels



INSTALLATION MANUAL

172 REASER COURT, ELYRIA, OH 44035
 FAX (440) 365-2100
 TEL.(440)365-4567 TOLL FREE 1(800)854-3267

DRW BY:

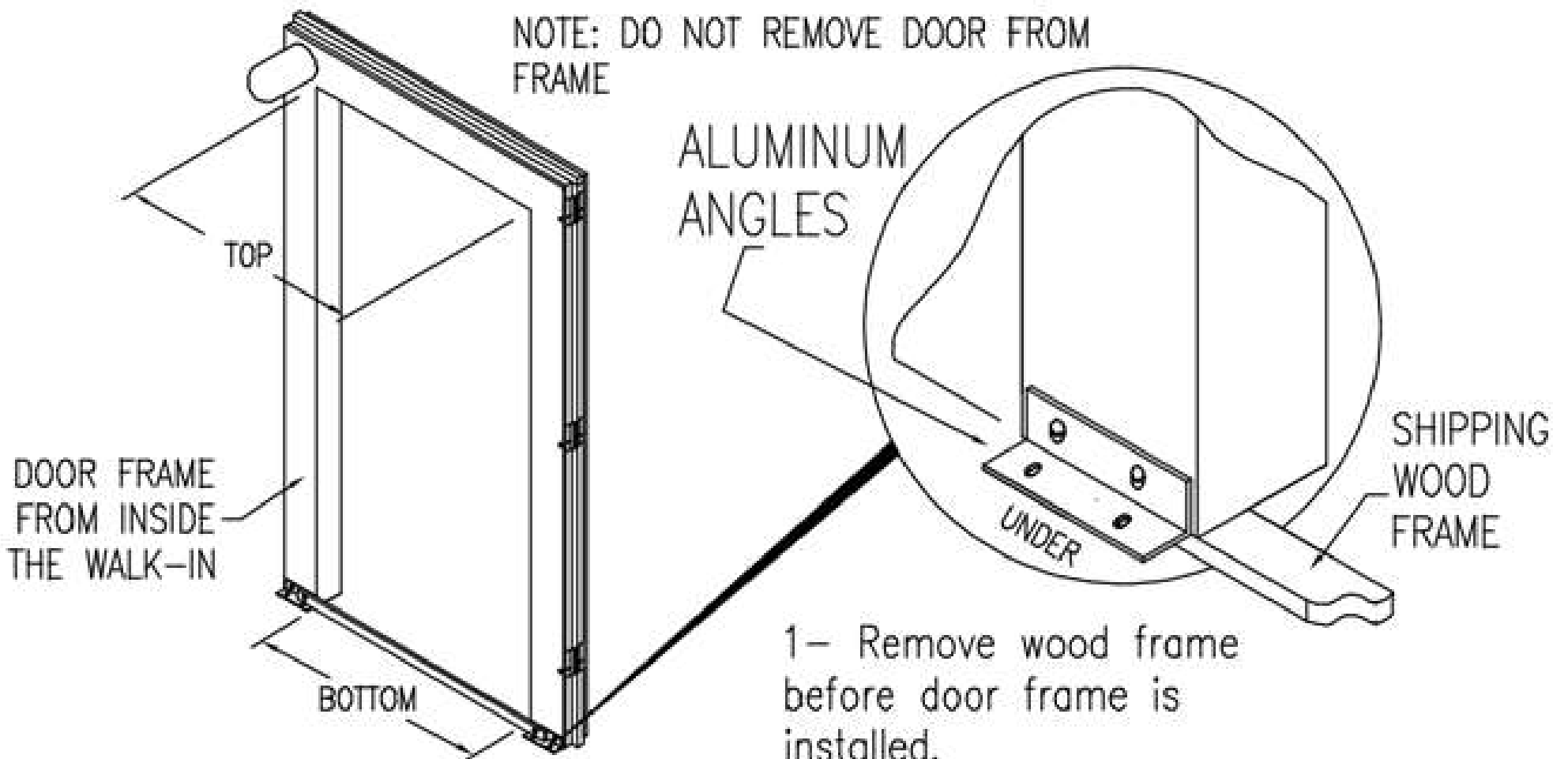
DATE: 2019

REVISIONS:

SHEET: 7 OF 10

INSTALLATION DOOR INSTRUCTION OVER CEMENT/ TILE FLOOR

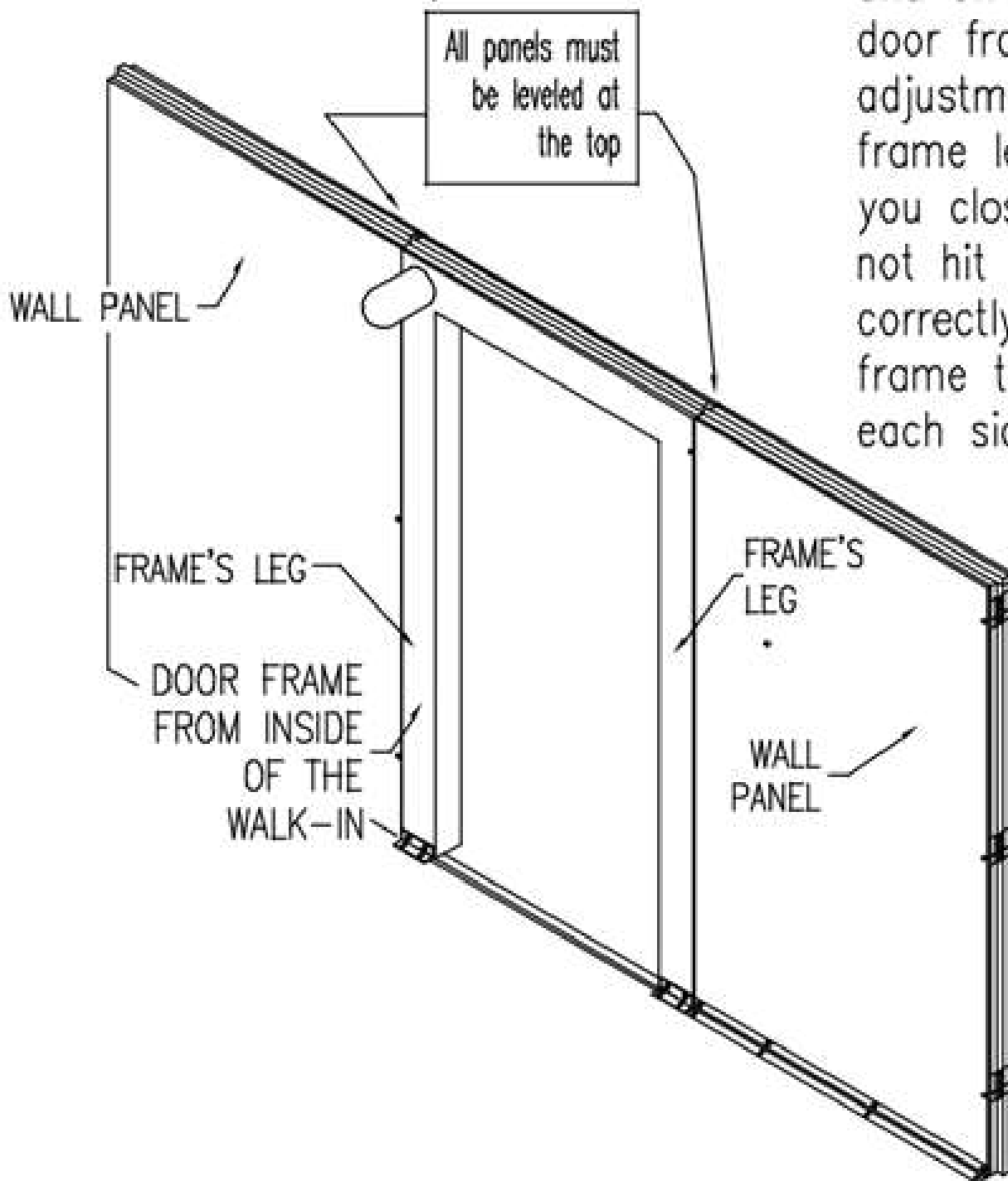
NOTE: DO NOT REMOVE DOOR FROM FRAME



1- Remove wood frame before door frame is installed.

2- Measure the top of the door opening and measure the bottom of the door opening to make sure both measurements are equal.

3- If the measurements are different, unfasten the cam-locks of the panels and on top, left and right side of door frame. then make necessary adjustments by pushing out the frame legs enough to ensure when you close the door, the door does not hit the frame and closes correctly. Then, secure the door frame to the adjacent wall panels on each side.



4- Lastly, once door frame's top and bottom measurements are equal and the door closes correctly, secure door frame's position to floor using aluminum angles.

INSTALLATION MANUAL

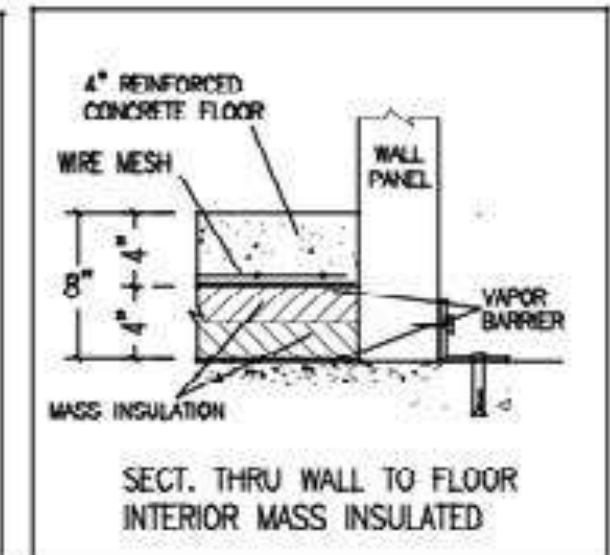
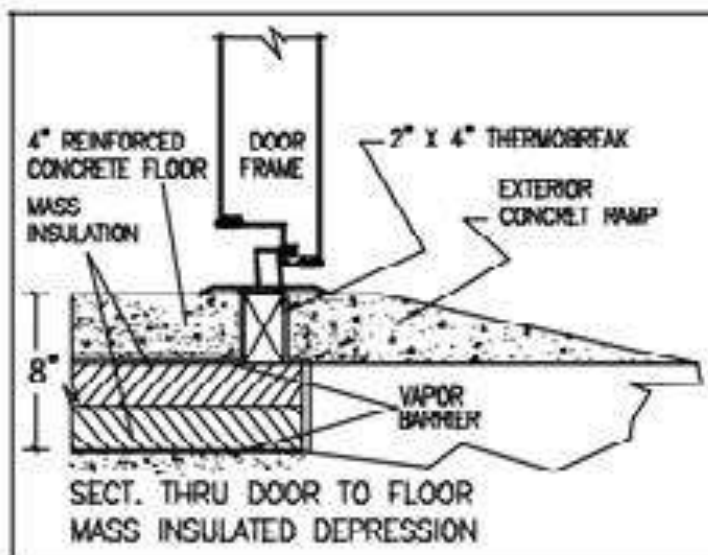
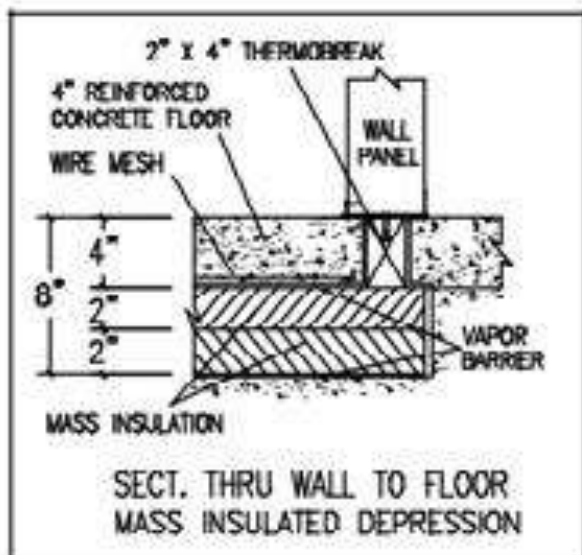
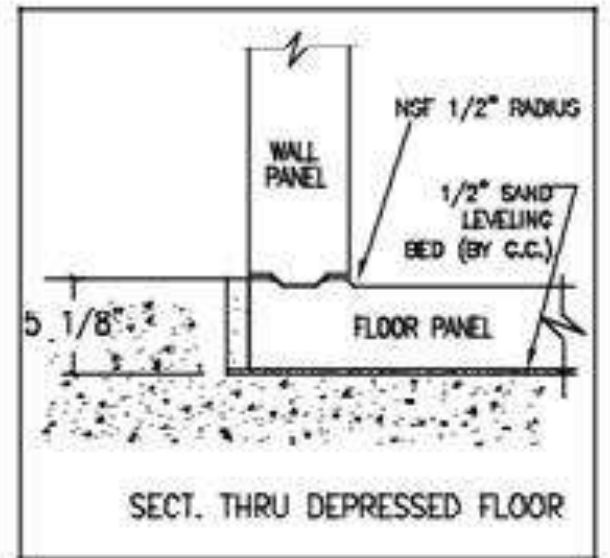
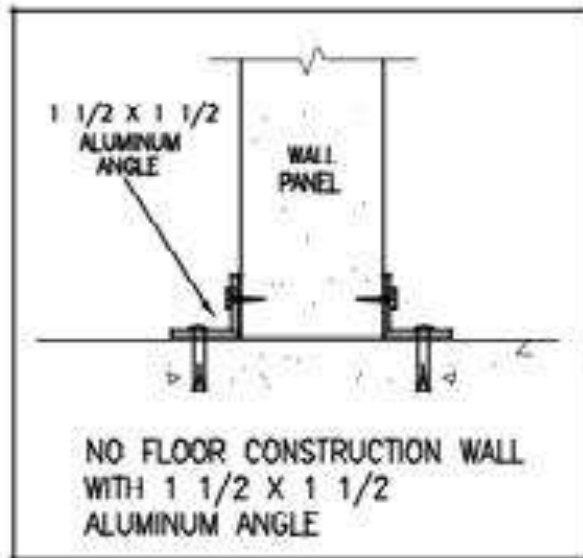
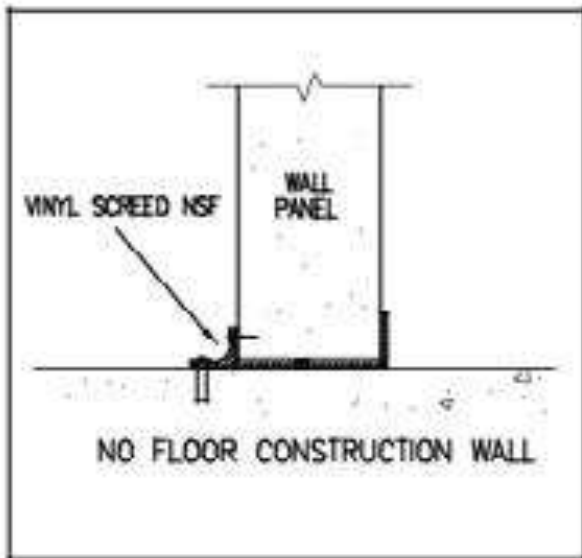
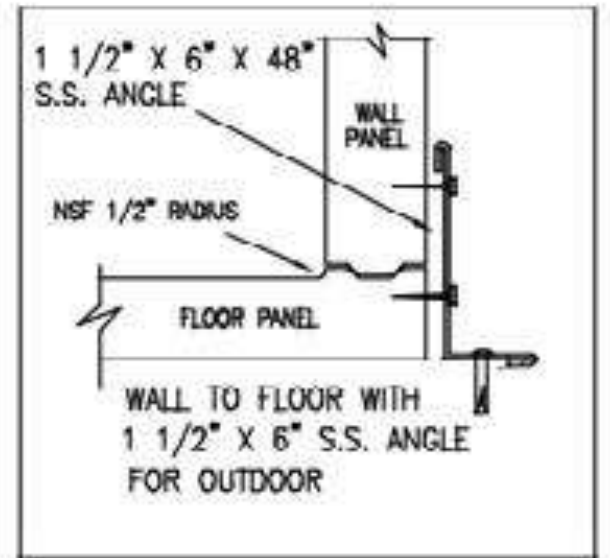
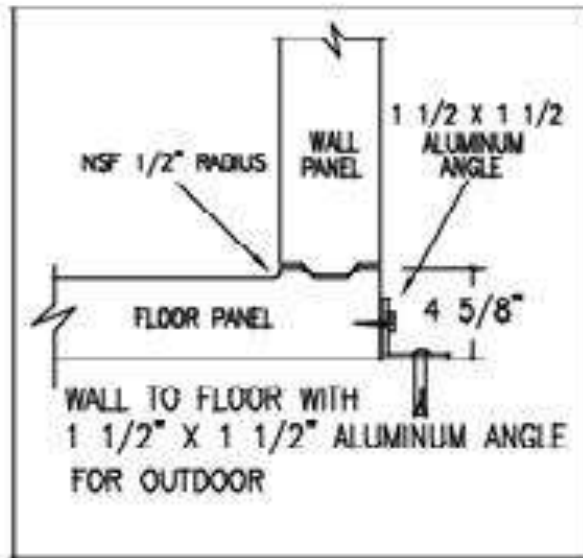
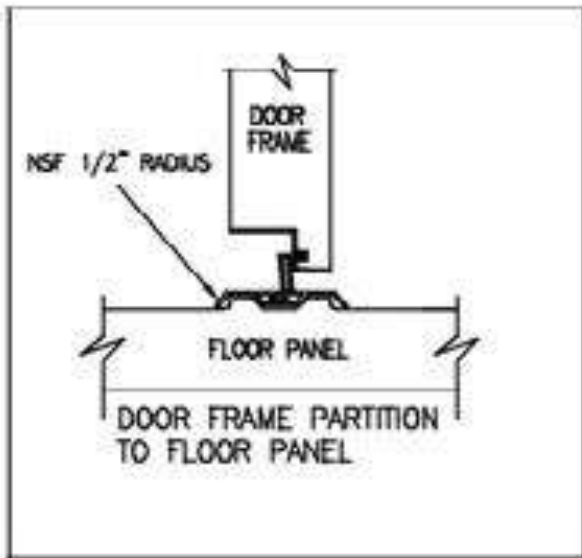
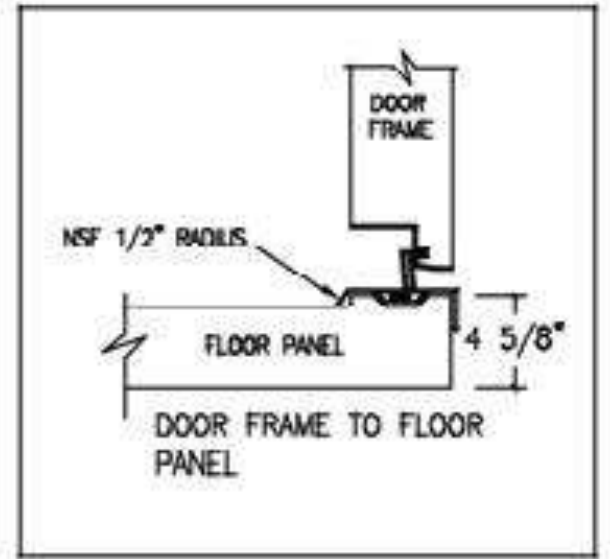
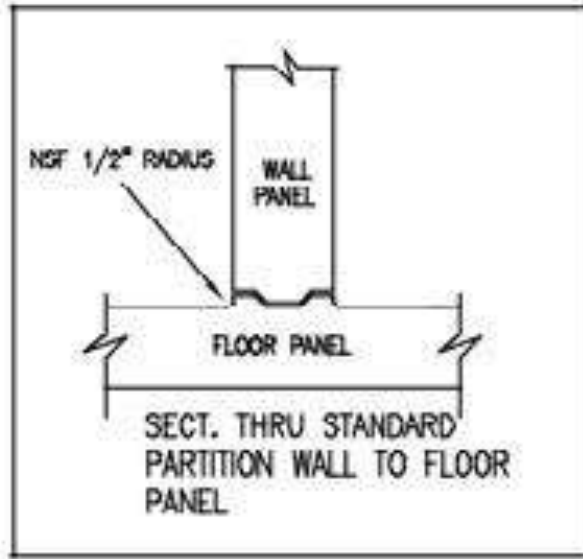
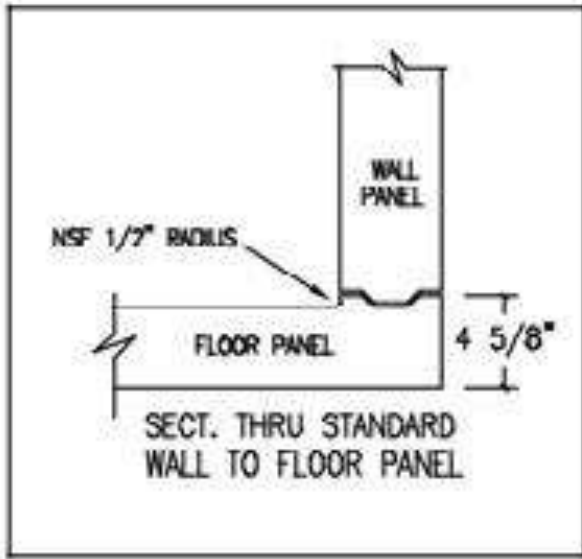
172 REASER COURT, ELYRIA, OH 44035
 FAX (440) 365-2100
 TEL.(440)365-4567 TOLL FREE 1(800)854-3267

DRW BY: DATE: 2019

REVISIONS:

SHEET: 8 OF 10

SECTION CONSTRUCTION DETAILS

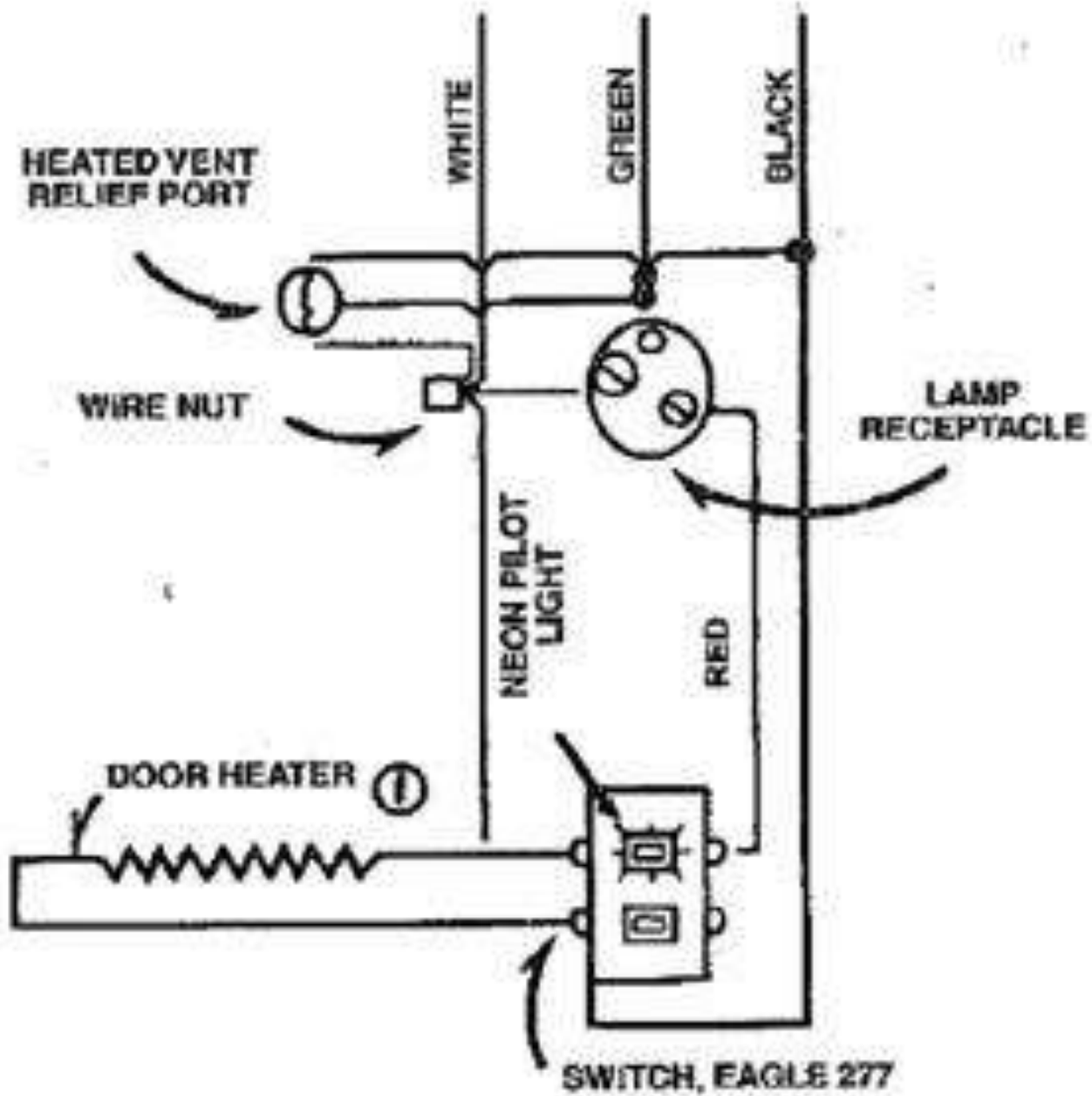


(WILL VARY DEPENDING BY JOB AND CONDITIONS)

INSTALLATION MANUAL

ELECTRICAL SCHEMATIC FOR DOORS

120V POWER SUPPLY



**FOR SUPPLY CONNECTIONS USE No. 14 AWG
LARGER WIRES RATED AT LEAST 75°C (167°F)**

INSTALLATION MANUAL

naks NORTH AMERICAN
KITCHEN SOLUTIONS
INCORPORATED

172 REASER COURT, ELYRIA, OH 44035
FAX (440) 365-2100
TEL.(440)365-4567 TOLL FREE 1(800)854-3267

DRW BY:

DATE : 2019

REVISIONS:

SHEET: 10 OF 10